

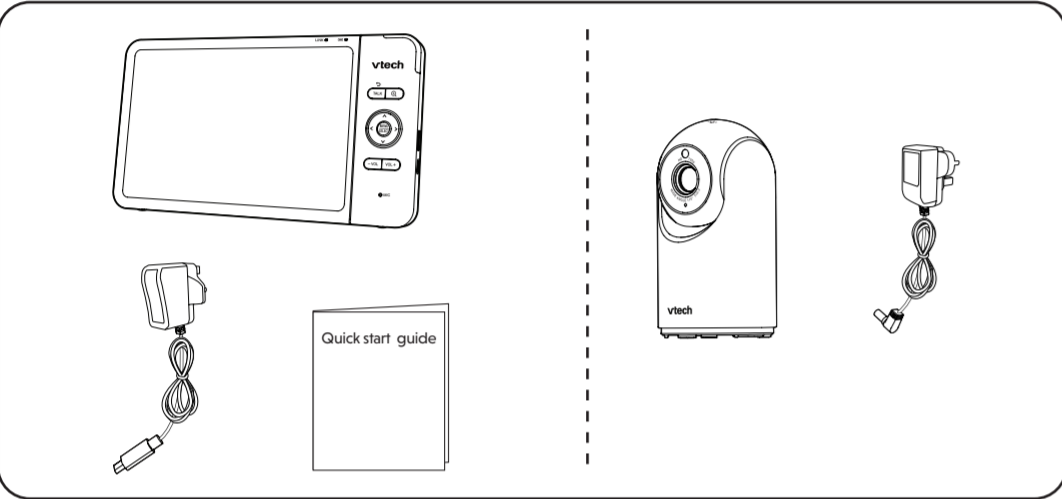
VM7367HD
7" High-Definition
Pan & Tilt Monitor



vtech®

Quick start guide

WHAT'S IN THE BOX



IMPORTANT SAFETY INSTRUCTIONS

- The applied nameplate is located at the bottom of the baby unit base. When in use, basic safety precautions should always be followed to reduce the risk of fire, electric shock and injury, including the following:
- Follow all warnings and instructions marked on the product.
 - Adult setup is required.
 - CAUTION:** Do not install the baby unit at a height above 2 metres.
 - This product is intended as an aid. It is not a substitute for responsible and proper adult supervision and should not be used as such.
 - This product is not intended for use as a medical monitor.
 - Do not use this product near water, for example, near to a bath, sink, swimming pool or shower.
 - CAUTION:** Use only the internally, non-user replaceable battery fitted to the parent unit. There may be a risk of explosion if a wrong type of battery is used for the parent unit. The battery cannot be subjected to high or low extreme temperature and low air pressure at high altitude during use, storage or transportation. Disposal of batteries in fire or a hot oven, mechanically crushing or cutting the battery can result in an explosion. Subjecting products or batteries to an extremely high temperature environment can result in explosion or leakage of flammable liquids, or gas. Products or batteries subjected to extremely low air pressures may result in explosion or leakage of flammable liquids, or gas.
 - Use only the power adaptors supplied with this product. Incorrect power adaptor polarity or voltage can seriously damage the product.
 - Never insert any objects through any apertures or slots in the product as this can be dangerous and cause damage to the battery or other internal parts. Never spill any liquids on the product.
 - To reduce the risk of electric shock, do not disassemble this product, but take it to an authorised service facility. Disassembling or removing parts of the product other than battery replacement via a battery door (if applicable) may expose dangerous voltages or other risks.
 - You should test the sound reception every time you turn on the units or move one of the components.
 - Periodically examine all components for damage.
 - There is a very low risk of privacy loss when using certain electronic devices, such as baby monitors, cordless telephones, etc. To protect your privacy, make sure the product has never been used before purchase, reset the baby monitor periodically by powering off and then powering on the units, and power off the baby monitor if you are not intending to use it for some time.
 - Children should be supervised to ensure that they do not play with the product.
 - The small parts of this monitor can be swallowed by babies or small children. Keep these parts out of reach of children.
 - The product is not intended for use by persons (including children) with reduced physical, sensory or mental capabilities, or lack of experience and knowledge, unless they have been given supervision or instruction concerning use of the appliance by a person responsible for their safety.

SAVE THESE INSTRUCTIONS

- Power adaptor information:**
Parent unit output: 5V DC 2A
Vtech Telecommunications Ltd.
Model: VT05EUK05200
Baby unit output: 5V DC 1A
Vtech Telecommunications Ltd.
Model: VT05EUK05100
- Rechargeable battery information:**
3.7V 5000mAh, 18.5Wh Lithium-ion battery
Zhuhai Great Power Energy Co., Ltd.
Model: GSP806090-5Ah-3.7V-1S1P
- The power adaptor is intended to be correctly oriented in a vertical or floor mount position. The prongs are not designed to hold the plug in place if it is plugged into a ceiling, under-the-table or cabinet outlet.
 - For pluggable equipment, the socket-outlet (power adaptor) should be installed near the equipment and should be easily accessible.
 - Unplug this product from the wall outlet before cleaning. Do not use liquid or aerosol cleaners. Use a damp cloth for cleaning.
 - Do not modify the power adaptors or replace with other third-party adaptors.
 - Do not allow anything to rest on the power cords. Do not install this product where the cords may be walked on or damaged.
 - The product should only be operated from a power source indicated on the power adaptor label or marking. If you are unsure of the type of power supply in your home, consult your dealer or electricity supply provider.
 - Do not overload wall outlets or use an extension cord.
 - Do not place this product on an unstable table, shelf, stand or other unstable surfaces.
 - This product should not be placed in any area where proper ventilation is not provided. Any slots or openings in the back or bottom of this product are provided for ventilation. To protect from overheating, openings must not be blocked by placing the product on a soft surface such as a bed, sofa or rug. This product should never be placed near or over a radiator or heat source.
 - Use and store the product at a temperature between 0°C and 40°C.
 - Mishandling batteries can cause burn, fire or explosion hazards.
 - Batteries should not be exposed to excessive heat such as bright sunshine or fire.
 - Do not expose the product to extreme cold, heat or direct sunlight. Do not place the product close to a heating source.
 - Warning—Strangulation Hazard—Children have STRANGLED in cards. Keep this cord out of the reach of children (more than 0.9m away). Do not remove warning label on the adaptor cord.**
 - Never place the baby unit inside the baby's cot or playpen. Never cover the baby unit or parent unit with anything such as a towel or a blanket.
 - Other electronic products can cause interference to your parent unit and baby unit. Try installing your baby unit as far away as possible from the following electronic devices: wireless routers, radios, mobile telephones, intercoms, room monitors, televisions, personal computers, kitchen appliances (e.g. microwave ovens) and cordless telephones.

1 CONNECT THE BABY MONITOR

1 Connect the parent unit and baby unit to the supplied adaptors and mains supply. The parent unit will turn on automatically after connecting to the power socket.

2

3 For optimum reception, always raise the parent unit antenna.

NOTES

- Please peel off the lens/screen protector before use.
- The baby unit may get warm during use. This is normal.

1 CONNECT THE BABY MONITOR (CONT'D)

NOTES

- Before using the baby monitor for the first time, charge the parent unit battery for 12 hours. When the parent unit battery is fully charged, the battery icon segments become solid.
- It takes longer to charge the battery when the parent unit is turned on. To shorten the charging time, turn the parent unit off while charging.
- The standby time varies depending on the sensitivity level you set, your actual use and the age of the battery.

The battery icon indicates the battery status (see the following table).

BATTERY INDICATORS	BATTERY STATUS	ACTION
The screen displays and . The light flashes.	The battery has very little charge and may be used for only a short time.	Charge without interruption (about 30 minutes).
The battery icon segments are solid .	The battery is fully charged.	To keep the battery charged, connect it to AC power when in use.

2 POWER ON OR OFF THE BABY MONITOR

1 Connect the baby unit to a power supply to turn it on. Disconnect the baby unit to turn it off.

2 Press and hold **POWER** to power on or off your parent unit. Once you power on both your baby unit and parent unit, your parent unit displays images from the baby unit, and the **LINK** LED light turns on.

3 POSITIONING THE BABY MONITOR

CAUTION

- Keep the baby unit out of the reach of your baby. Never place or mount the baby unit inside the baby's cot or playpen.

1

2

CAUTION

- For hearing protection, make sure the parent unit is more than 1 metre away from the baby unit. If you hear any feedback noise from the parent unit, move the parent unit further away from the baby unit until the noise stops. You can also press **-VOL** on the parent unit to lower or mute the noise.

3

NOTE

- To avoid interference from other electronic devices, place your baby monitor at least 1 metre away from devices such as wireless routers, microwave ovens, mobile phones and computers.

OVERVIEW - PARENT UNIT

- LINK LED light**
 - On when the parent unit is linked to the baby unit.
 - Flashes when the link to the baby unit is lost.
- LED light**
 - On when the parent unit is connected to AC power, and the battery is charging.
 - Flashes when the parent unit battery is low and needs to be charged.
- 3-level sound indicator light**

The lights indicate different sound levels detected from the baby unit.

 - Green light: low sound level.
 - Green and amber lights: moderate sound level.
 - Green, amber, and red lights: high sound level.
- TALK**
- Antenna**
- Speaker**
- Stand**
- Arrow keys**
 - Press to navigate leftward, upward, rightward or downward, within the main menu and sub-menus.
 - Press to move the baby unit camera leftward, rightward, upward or downward.
- MENU/SELECT**
 - Press to enter the main menu.
 - While in a menu, press to confirm a selection, or save a setting.
- VOL/ VOL +**
 - Increase or decrease parent unit volume.
- Microphone**
- POWER | LCD ON/OFF**
- USB Power jack**
- RESET**
 - Force reboot the parent unit.
- Antenna**
- Speaker**
- Stand**

OVERVIEW - BABY UNIT

- Night Light Control Key**
 - Tap to turn on/off the night light.
- Light Sensor**
- Camera lens**
- Infrared LEDs**
 - Allows you to see clearly in a dark environment.
- Microphone**
- Night light**
- PAIR key**
 - The parent unit and baby unit provided are already paired.
- Speaker**
- Temperature sensor**
- Power jack**
- Slots for wall mounting**

Status icons

	Displays the baby unit that is being viewed.		Temperature alert is turned on.
	Night vision is turned on.		Parent unit is muted.
	Motion detection alert is turned on.		Temperature measured at baby unit.
	Melodies and soothing sounds are playing.		Battery level indicator
	Night light is turned on.		Low battery indicator
	Auto night light brightness is activated.		

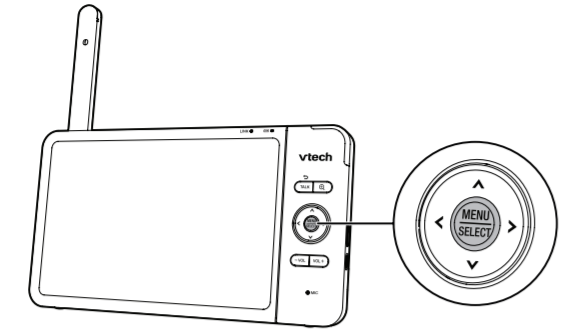
PARENT UNIT ICONS

Main Menu	Sub-menu	Options	Main Menu	Sub-menu	Options	
Night light		On/Off • Toggle the night light on or off.	Screen Off Timer		1 min 3 min 5 min OFF • Turn the screen off timer OFF , or set the screen to turn off after 1, 3 or 5 minutes when no sound is detected.	
		Colour • Select one of the 10 night light colours.			AUTO	• Select AUTO to set the Sound Sensitivity level for the screen to auto turn on when a sound level is detected that is higher than the set level. The screen will turn off after 50 seconds of no sound detection.
		Brightness • Adjust the night light brightness. • Set the brightness to AUTO adaptive ambience.			Low Medium High	• Set the temperature display format between Celsius or Fahrenheit.
		Timer • Set the timer to turn the night light off after 15, 30 or 60 minutes, or always on.		Temperature Format	Other • Reset settings	
Melodies and soothing sounds		Play/Stop • Toggle between play and stop.	Alerts Settings		• Adjusts the alert tone volume level.	
		Library • Select to play all melodies, or play one of the five melodies or five soothing sounds.			Motion Detect • Turn the motion detection alert on/off.	
		Camera Volume • Adjusts baby unit speaker volume.			• Adjust Motion Sensitivity level for waking the parent unit screen.	
General settings		Screen Brightness • Adjusts parent unit screen brightness.		Temperature • Turn the temperature alert on/off.		
		Low Battery • Toggle the low battery alert on or off.		Lost Link • Toggle the lost link alert on or off.		
			Help and info		Help • Support Information	
					System Info • System Information	

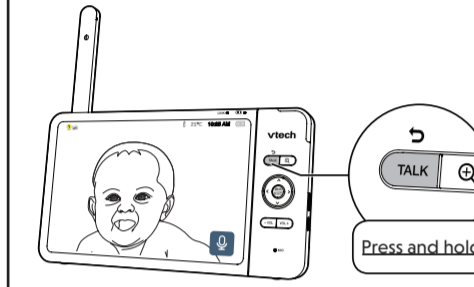
BASIC OPERATION - PARENT UNIT

Use the menu
Press **MENU/SELECT** to enter the menu, choose a menu item, or save a setting. You can use the parent unit for advanced settings or operations, such as to play or stop the baby unit lullaby, or to adjust the baby unit sound sensitivity.

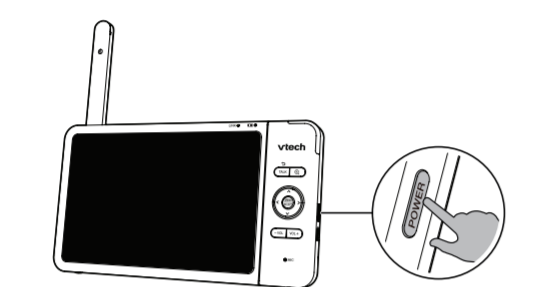
- While in the menu:
- Press **←**, **→**, **▲** or **▼** to scroll among the menu options.
 - Press **←** or **→** to adjust a setting.
 - Press **MENU/SELECT** to select an item, or to save a setting.
 - Press **TALK /** to return to previous menu options or return to live video.



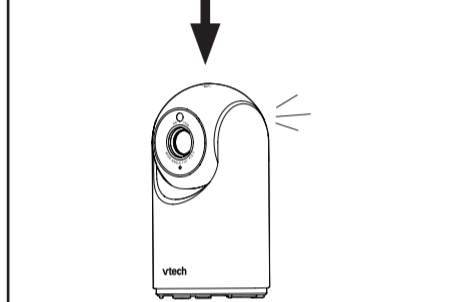
Talk to your baby unit
Press and hold **TALK** to speak to your parent unit. Your voice is transmitted to the baby unit. Release **TALK** when finished talking to hear your baby again.



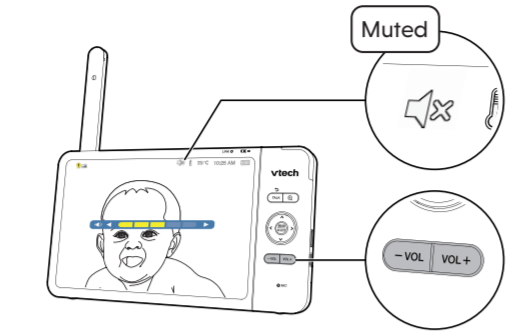
Turn off the screen
Short press **POWER/LCD ON/OFF** to turn off the parent unit screen without powering off the parent unit. You will still hear sounds from the baby unit.



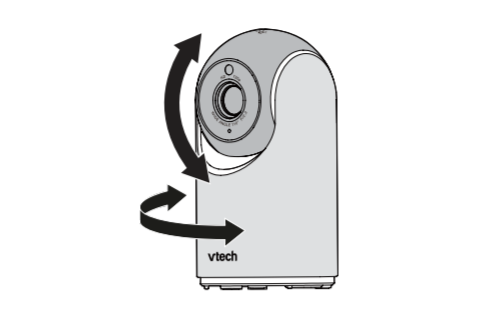
TIP
• Press any key on the parent unit to turn the screen on again.



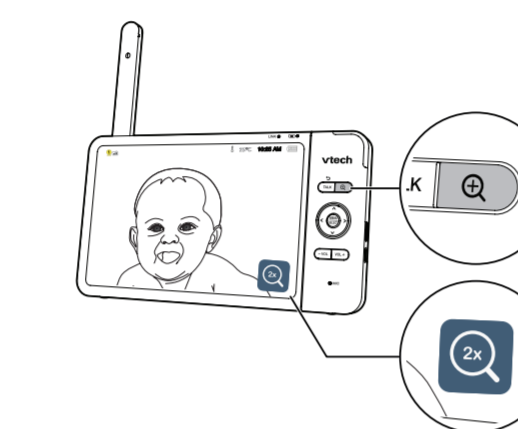
Adjust parent unit volume
Press **-VOL / VOL +** to adjust your parent unit speaker volume.



Pan and tilt the baby unit
Press **Arrow keys** **←**, **▲**, **▼** or **→** to pan and tilt the baby unit.

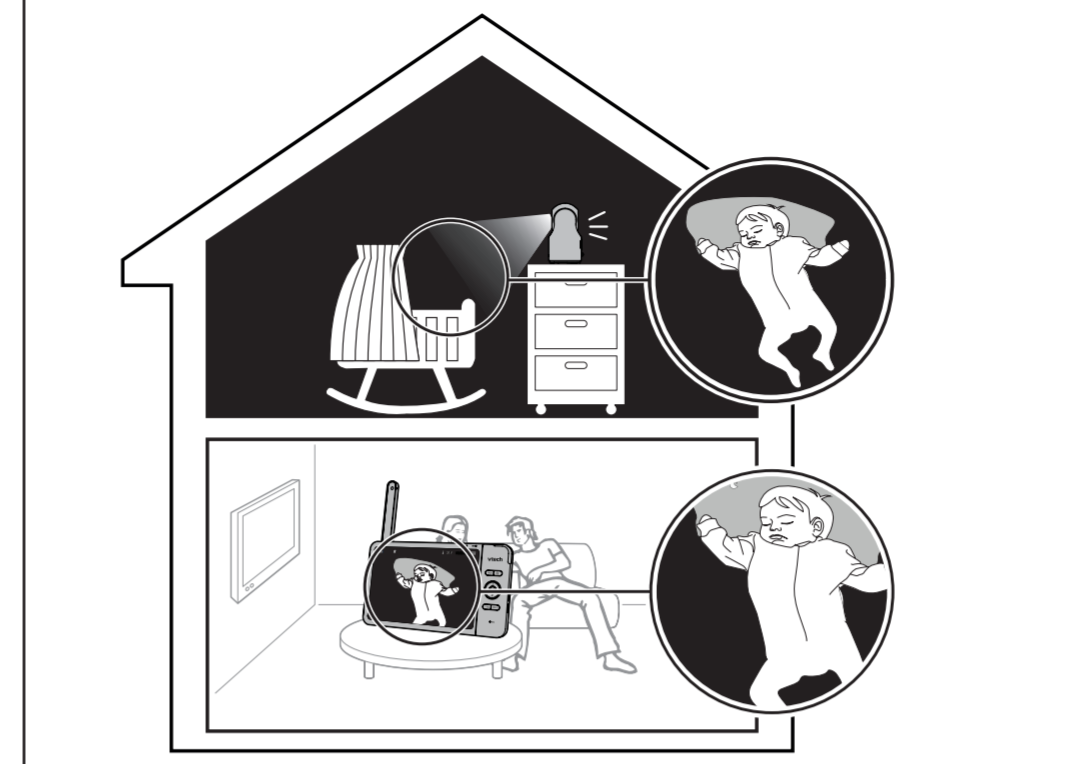


Zoom
Press to select **Q**, **Q**, **Q** to zoom in or out in a fixed zoom sequence. **Q** indicates that the image is magnified 2 times.



NIGHT VISION

The baby unit has infrared LEDs that allow you to see your baby clearly at night or in a dark room. When the baby unit detects low light levels, the infrared LEDs are switched on automatically. The images from the baby unit are in black and white, and appears on the parent unit screen.



- NOTES**
- A **click sound** from the baby unit is normal and occurs when your unit adapts to the environment lighting conditions.
 - To achieve accurate and high quality video, your baby unit is equipped with an Infrared cut-off filter lens that optimises colour accuracy in bright, day-time environments. When the environment turns dark at night, this filter lens is withdrawn to enhance night vision quality. The brief **click sound** you hear is from the filter lens activating/deactivating as the unit switches from day to night vision (and vice versa).
- TIP**
- Depending on the surroundings and other interfering factors, for example, lighting, objects, colours and backgrounds, the image quality may vary. Adjust the baby unit angle or place the baby unit at a higher location to prevent glare and a blurred display.

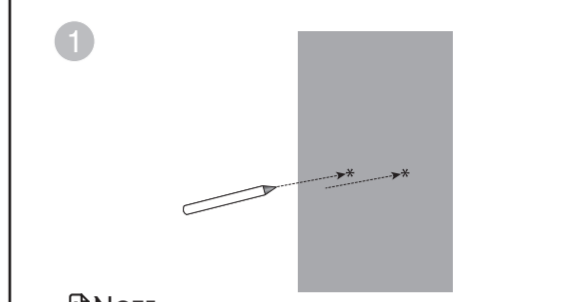
MOUNT THE BABY UNIT (OPTIONAL)

Not Included
You will need to purchase the following items separately to mount your baby unit:

- 2 screws
- 2 wall plugs

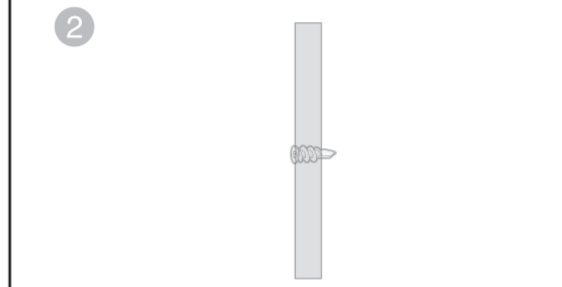
NOTE

- The screw types and wall plugs you need depend on the composition of the wall.



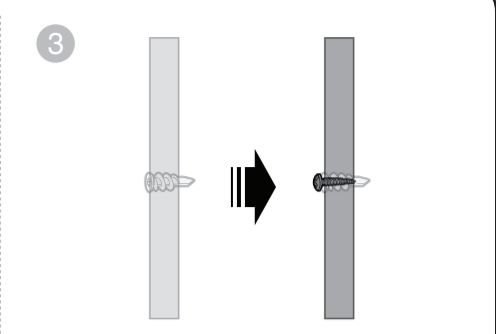
NOTE

- Check for reception strength and camera angle before drilling the holes. Use a pencil to mark two holes in parallel. Make sure they are the same distance apart as the wall mount holes on the baby unit.

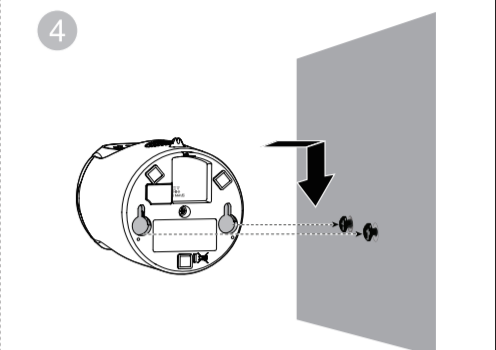


Drill two holes in the wall. If you drill the holes into a stud, go to step 3.

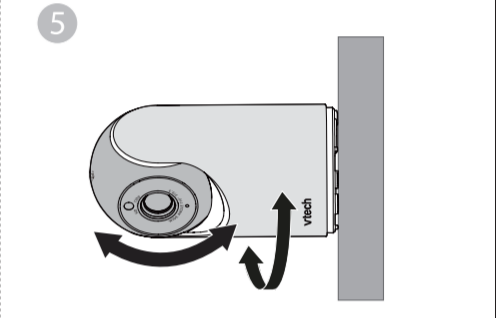
-OR-
If you drill the holes into an object other than a stud, insert the wall plugs into the holes. Tap gently on the ends with a hammer until the wall plugs are flush with the wall.



Insert the screws into the holes and tighten the screws until only 6.5 mm of the screws are exposed.



Align the wall mount holes on the baby unit with the screws on the wall. Slide the baby unit down until it locks into place.



Adjust the camera angle.

TECHNICAL SPECIFICATIONS

Frequency control	Crystal controlled PLL synthesizer
Transmit frequency	Baby unit: 2405 - 2475MHz Parent unit: 2407.5 - 2475 MHz Maximum power used by the transmitter: 0.1W (100mW)
Channels	32
LCD	7" Colour LCD (IPS 1280x800 pixels)
Nominal effective range	Actual operating range may vary according to environmental conditions at the time of use.
Power requirements	Parent unit: 3.7V 5000mAh, 18.5Wh Lithium-ion battery Baby unit power adaptor: Output: 5V DC @ 1A Parent unit power adaptor: Output: 5V DC @ 2A

GENERAL PRODUCT CARE

- To keep this product working well and looking good, follow these guidelines:
- Avoid placing near heating appliances and devices that generate electrical noise (for example, motors or fluorescent lamps).
 - DO NOT expose to direct sunlight or moisture.
 - Avoid dropping the product or treating it roughly.
 - Clean with a soft damp cloth.
 - Clean the USB charging port of dust, dirt, and lint regularly.
 - DO NOT immerse the parent unit or the baby unit in water and do not clean under running water.
 - DO NOT use solvents, household cleaning sprays, or liquid cleaners.
 - Make sure the parent unit and the baby unit are dry before reconnecting to the mains supply.

STORAGE

When you are not going to use the video monitor for some time, store the parent unit, the baby unit and the adaptors in a cool, dry place.

CUSTOMER SERVICE AND PRODUCT WARRANTY

ONE YEAR PRODUCT WARRANTY

Thank you for choosing this quality product from VTech.

1. The product detailed above is covered by a one year warranty from the date of purchase, against any defects in materials or workmanship.
2. The product may be returned to the place of purchase.
3. If the product covered by this warranty is damaged due to misuse, modification or unauthorised repair, or because of faulty batteries, battery discharge or incorrect electrical connections, then this warranty becomes void.
4. This warranty is personal to the original purchaser and is not transferable.
5. Breakages to the LCD screen are not covered by the warranty.
6. Damage to the antenna is not covered by the warranty.

Email: service-ukbm@vtechphones.eu

VTech Electronics Europe Plc, c/o XPO Logistics, Warehouse 350, Cat & Fiddle Lane, West Hallam, DE7 6HE

THIS WARRANTY IS OFFERED AS AN EXTRA BENEFIT AND DOES NOT AFFECT CONSUMERS' STATUTORY RIGHTS.

This warranty is valid for the UK and Ireland only. For products purchased outside the UK and Ireland, please contact your local distributor or place of purchase.

CUSTOMER SUPPORT

Find the answer to your questions and get assistance at your own pace.
Scan the QR code to access the website or visit www.vtechphones.eu



IMPORTANT
Please retain your sales receipt as proof of the date of purchase.

DECLARATION OF CONFORMITY

This product is intended for use within Europe and UK. This equipment complies with the essential requirements of EU Radio Equipment Directive (2014/53/EU) and the UK Radio Regulations 2017 on radio systems and telecommunication equipment.

VTech Telecommunications Ltd. hereby declares that 7" High-Definition Pan & Tilt Monitor VM7367HD complies with the essential requirements and other relevant provisions of EU Radio Equipment Directive (2014/53/EU) and UK Radio Equipment Regulations 2017. The Declaration of Conformity for the VM7367HD is available from www.vtechphones.eu.



DISPOSAL OF BATTERIES AND PRODUCT

- The crossed-out wheellie bin symbols on products and batteries, or on their respective packaging, indicates they must not be disposed of in domestic waste as they contain substances that can be damaging to the environment and human health.
 - The chemical symbols Hg, Cd or Pb, where marked, indicate that the battery contains more than the specified value of mercury (Hg), cadmium (Cd) or lead (Pb) set out in Battery Directive (2006/66/EC).
 - The solid bar indicates that the product was placed on the market after 13th August, 2005.
- Help protect the environment by disposing of your product or batteries responsibly.

Manufacturer: VTech Telecommunications Ltd.
23/F., Tai Ping Industrial Centre, Block 1, 57 Ting Kok Road, Tai Po, Hong Kong.

Importer: VTech Electronics Europe Plc.
Napier Court, Abingdon Science Park, Abingdon, Oxon, OX14 3YT.

Android™ and Google Play™ are trademarks of Google Inc.
App Store is a trademark of Apple Inc., registered in the U.S. and other countries.
IOS is a trademark or registered trademark of Cisco in the U.S. and other countries and is used under license.

Specifications are subject to change without notice.
© 2024 VTech Telecommunications, Ltd.
All rights reserved. 05/24. VM7367HD_QSG_UK_V1

