

VM5463

# 5" Video Baby Monitor

## Pan & Tilt Camera



|          |    |          |     |
|----------|----|----------|-----|
| EN ..... | 2  | FR ..... | 60  |
| DE ..... | 20 | IT ..... | 80  |
| Es ..... | 40 | PT ..... | 100 |

**vtech**<sup>®</sup>  
Quick start guide

VM5463

## 5" Video Baby Monitor Pan & Tilt Camera



**vtech**<sup>®</sup>  
Quick start guide

## IMPORTANT SAFETY INSTRUCTIONS

The applied nameplate is located at the bottom of the baby unit's base.

When using your equipment, basic safety precautions should always be followed to reduce the risk of fire, electric shock and injury, including the following:

1. Follow all warnings and instructions marked on the product.
2. Adult setup is required.
3. **CAUTION:** Do not install the baby unit at a height above 2 metres.
4. This product is intended as an aid. It is not a substitute for responsible and proper adult supervision and should not be used as such.
5. This product is not intended for use as a medical monitor.
6. Do not use this product near water. For example, do not use it next to a bath tub, wash bowl, kitchen sink, laundry tub or swimming pool, or in a wet basement or shower.
7. **CAUTION:** Use only the battery provided. There may be a risk of explosion if a wrong type of battery is used for the parent unit. The battery cannot be subjected to high or low extreme temperature and low air pressure at high altitude during use, storage or transportation. Disposal of battery into fire or a hot oven, or mechanically crushing or cutting or the battery can result in an explosion. Leaving the battery in an extremely high temperature surrounding environment can result in an explosion or the leakage of flammable liquid or gas. Battery subjected to extremely low air pressure may result in an explosion or the leakage of flammable liquid or gas. Dispose of used battery according to the instructions.
8. Use only the adapters included with this product. Incorrect adapter polarity or voltage can seriously damage the product.

### ⚠️📖 Power adapter information:

Parent unit output: 5V DC 1A  
VTech Telecommunications Ltd.  
Model: VT05EEU05100

Baby unit output: 5V DC 1A.  
VTech Telecommunications Ltd.  
Model: VT05EEU05100

### ⚠️📖 Rechargeable battery information:


Li-ion battery, 3.8V 2100mAh  
Zhongshan Tianmao Battery Co., Ltd.  
Model Number: BP1763

9. The power adapter is intended to be correctly oriented in a vertical or floor mount position. The prongs are not designed to hold the plug in place if it is plugged into a ceiling, under-the-table or cabinet outlet.
10. For pluggable equipment, the socket-outlet (power adapter) shall be installed near the equipment and shall be easily accessible.
11. Unplug this product from the wall outlet before cleaning. Do not use liquid or aerosol cleaners. Use a damp cloth for cleaning.
12. Do not cut off the power adapters to replace them with other plugs, as this causes a hazardous situation.
13. Do not allow anything to rest on the power cords. Do not install this product where the cords may be walked on or crimped.
14. This product should be operated only from the type of power source indicated on the marking label. If you are not sure of the type of power supply in your home, consult your dealer or local power company.
15. Do not overload wall outlets or use an extension cord.
16. Do not place this product on an unstable table, shelf, stand or other unstable surfaces.
17. This product should not be placed in any area where proper ventilation is not provided. Slots and openings in the back or bottom of this product are provided for ventilation. To protect them from overheating, these openings must not be blocked by placing the product on a soft surface such as a bed, sofa or rug. This product should never be placed near or over a radiator or heat register.

18. Never push objects of any kind into this product through the slots because they may touch dangerous voltage points or create a short circuit. Never spill liquid of any kind on the product.
19. To reduce the risk of electric shock, do not disassemble this product, but take it to an authorized service facility. Opening or removing parts of the product other than specified access doors may expose you to dangerous voltages or other risks. Incorrect reassembling can cause electric shock when the product is subsequently used.
20. You should test the sound reception every time you turn on the units or move one of the components.
21. Periodically examine all components for damage.
22. There is a very low risk of privacy loss when using certain electronic devices, such as baby monitors, cordless telephones, etc. **To protect your privacy, make sure the product has never been used before purchase, reset the baby monitor periodically by powering off and then powering on the units, and power off the baby monitor if you will not use it for some time.**
23. Children should be supervised to ensure that they do not play with the product.
24. The product is not intended for use by persons (including children) with reduced physical, sensory or mental capabilities, or lack of experience and knowledge, unless they have been given supervision or instruction concerning use of the appliance by a person responsible for their safety.

### SAVE THESE INSTRUCTIONS

#### Cautions

- Use and store the product at a temperature between 0°C and 40°C.
- Burn hazard, fire hazard, explosion hazard associated with mishandling of the battery.
- Do not expose the product to extreme cold, heat or direct sunlight. Do not put the product close to a heating source.
- **⚠️ Warning—Strangulation Hazard—Children** have STRANGLED in cords. Keep this cord out of the reach of children (more than 3 ft (0.9m) away). Do not remove this tag. 
- Never place the camera unit(s) inside the baby's crib or playpen. Never cover the camera unit(s) or parent unit with anything such as a towel or a blanket.
- Other electronic products may cause interference with your camera unit. Try installing your camera unit as far away from these electronic devices as possible: wireless routers, radios, cellular telephones, intercoms, room monitors, televisions, personal computers, kitchen appliances and cordless telephones.

#### Precautions for users of implanted cardiac pacemakers

Cardiac pacemakers (applies only to digital cordless devices): Wireless Technology Research, LLC (WTR), an independent research entity, led a multidisciplinary evaluation of the interference between portable wireless devices and implanted cardiac pacemakers. Supported by the U.S. Food and Drug Administration, WTR recommends to physicians that:

#### Pacemaker patients

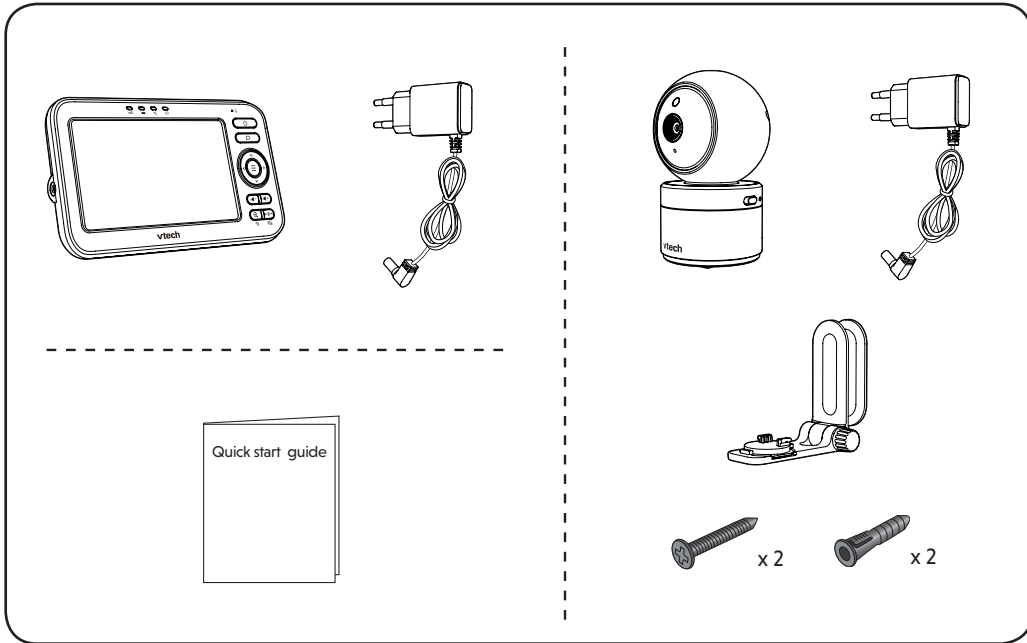
- Should keep wireless devices at least six inches from the pacemaker.
- Should NOT place wireless devices directly over the pacemaker, such as in a breast pocket, when it is turned ON.

WTR's evaluation did not identify any risk to bystanders with pacemakers from other persons using wireless devices.

#### Electromagnetic fields (EMF)

This VTech product complies with all standards regarding electromagnetic fields (EMF). If handled properly and according to the instructions in this user's manual, the product is safe to be used based on scientific evidence available today.

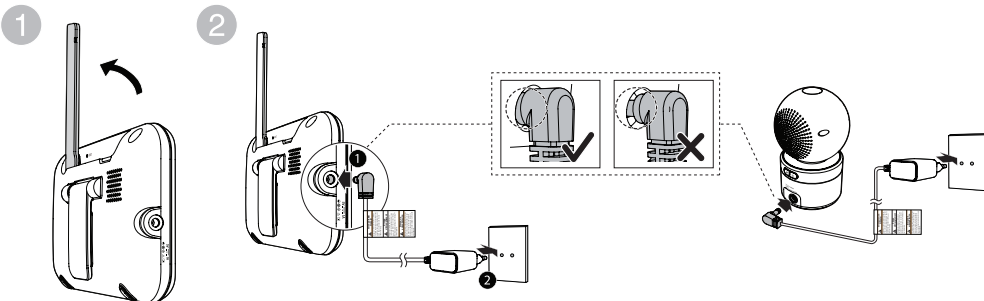
# WHAT'S IN THE BOX



## 1 CONNECT THE BABY MONITOR

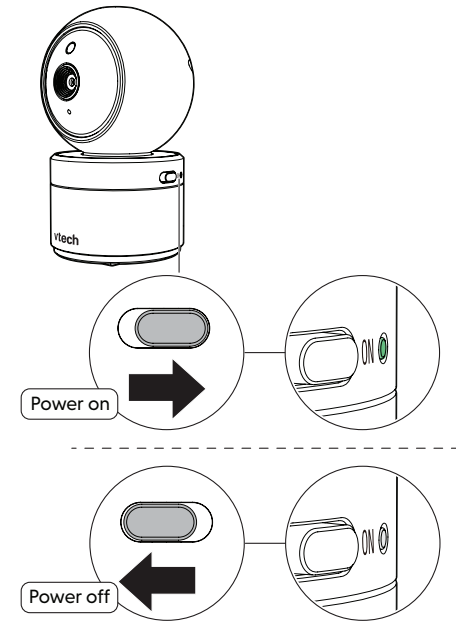
### NOTES

- The rechargeable battery in the parent unit is built-in.
- Use only the power adapters supplied with this product.
- Make sure the baby monitor is not connected to a switch-controlled electric outlet.
- Connect the power adapters in a vertical or floor mount position only. The adapters' prongs are not designed to hold the weight of the baby monitor, so do not connect them to any ceilings, under-the-table, or cabinet outlets. Otherwise, the adapters may not properly connect to the outlets.
- Make sure the parent unit, the baby unit and the power adapter cords are out of reach of children.



## 2 POWER ON OR OFF THE BABY MONITOR

- 1 Slide the switch to power on or off your baby unit.



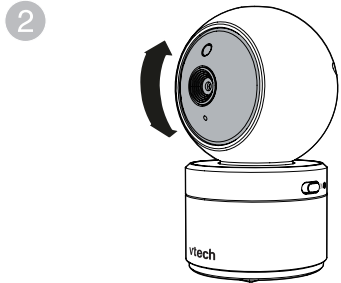
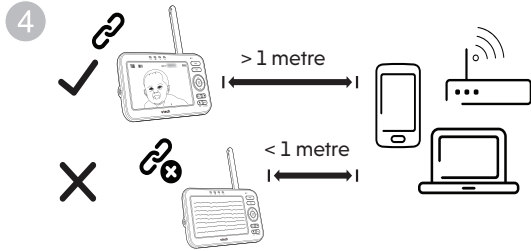
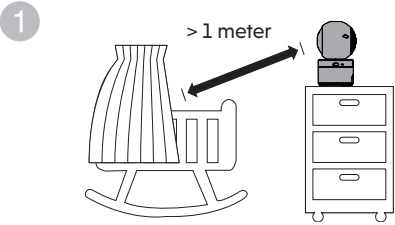
- 2 Press and hold  to power on or off your parent unit.



On

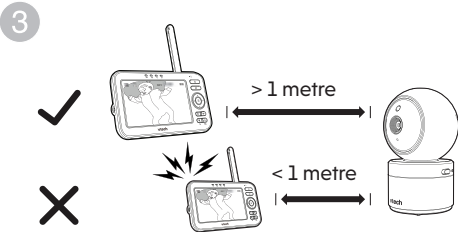
Off

### 3 POSITIONING THE BABY MONITOR



#### NOTE

- To avoid interference from other electronic devices, place your baby monitor at least 1 metre (3 feet) away from devices such as wireless routers, microwaves, mobile phones and computers.




#### CAUTION

- The default volume of your parent unit is level 4, and the maximum volume is level 7. If you experience a feedback noise from your baby monitor while positioning:
  - Make sure your baby unit and parent unit are more than 1 metre (3 feet) apart, OR
  - Lower the volume of your parent unit.



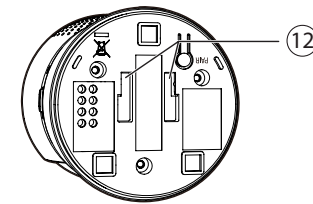
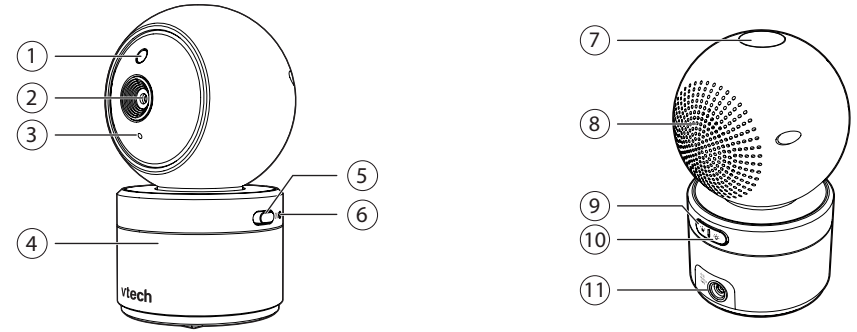
### 4 STATUS CHECK



Once you power on both your baby unit and parent unit, your parent unit displays images from the baby unit, and the  LED light turns on.

The baby unit's **ON** LED light also turns on.



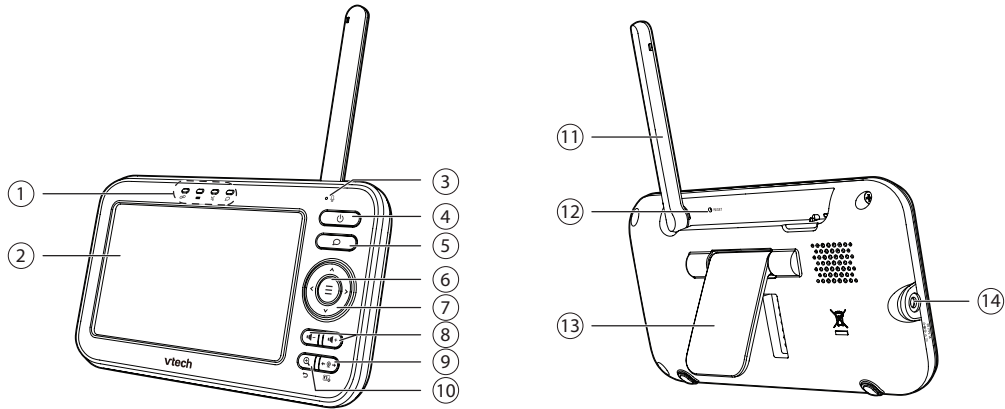
### OVERVIEW - BABY UNIT



- |   |                         |    |  |
|---|-------------------------|----|--|
| 1 | <b>Light sensor</b>     | 7  | <b>Light projector</b>   |
| 2 | <b>Camera lens</b>      | 8  | <b>Speaker</b>   |
| 3 | <b>Microphone</b>       | 9  |  <b>Projection light on/off key</b> |
| 4 | <b>Night light</b>      | 10 |  <b>Night light on/off key</b>      |
| 5 | <b>On/Off switch</b>    | 11 | <b>Power jack</b>  |
| 6 | <b>On/Off LED light</b> | 12 | <b>Slots for wall mounting</b>   |

- On when the baby unit is turned on and is paired to the parent unit.
- Flashes when the baby unit is not being viewed; or when the link to the parent unit is lost.

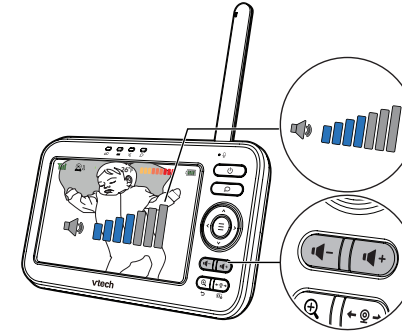
## OVERVIEW - PARENT UNIT



- |                        |                             |                            |
|------------------------|-----------------------------|----------------------------|
| 1 LED indicator lights | 3 Microphone                | 9 ← ⊕ → View / [X] LCD off |
| • Link                 | 4 Power                     | 10 [M] Zoom / [X] Exit     |
| • Battery              | 5 Talk                      | 11 Antenna                 |
| • Mute                 | 6 Menu/Select               | 12 RESET                   |
| • Talk                 | 7 Arrow keys                | 13 Stand                   |
| 2 LCD display          | 8 [V+] / [V-] - Volume Keys | 14 Power jack              |

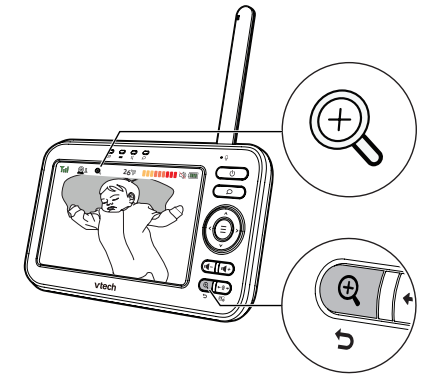
### Adjust speaker volume

Press [V+] / [V-] to adjust your parent unit speaker volume. It determines the volume of sound transmitted to you from the baby unit.



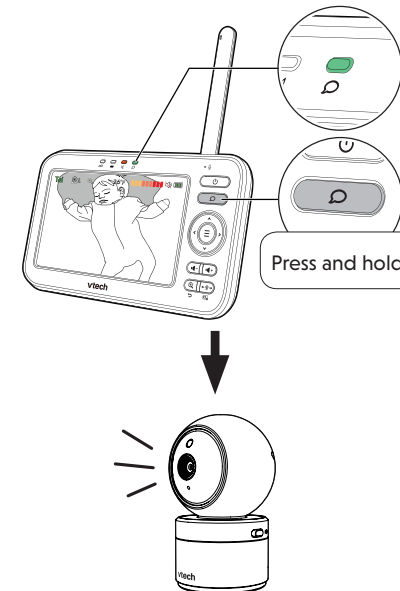
### Zoom

Press [M] to zoom in or out.



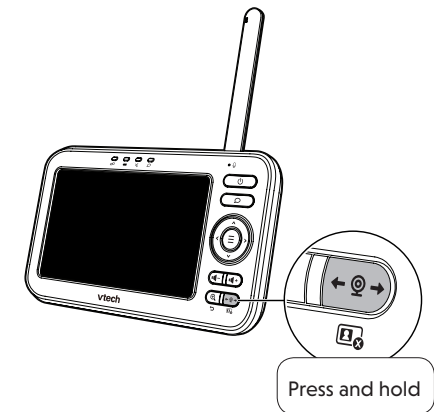
### Talk to your baby unit

Press and hold [T] and speak to your parent unit. Your voice is transmitted to the baby unit. Release [T] when finish talking and hear your baby again.



### Turn off the screen

Press and hold [X] to switch off the screen. You can still hear sounds from the baby unit.



### TIP

- Press any key on the parent unit to turn the screen on again.

## BASIC OPERATION - PARENT UNIT

### Use the menu

Press [M] to enter the menu, choose a menu item, or save a setting. You can use the parent unit for advanced settings or operations, such as to play or stop the baby unit's lullaby playing, or to adjust the baby unit's sound sensitivity.

While in the menu:

- Press [L] or [R] to scroll among the main menu options.
- Press [M] to select an item, or to save a setting.
- Press [U] or [D] to scroll among the sub-menus, or to adjust a setting.
- Press [L] to return to the previous menu options without changing the current setting.
- Press [M] Zoom / [X] Exit to return to live video.







# PARENT UNIT ICONS

## Main menu icons



| Main menu | Sub-menu |
|-----------|----------|
|-----------|----------|

**Brightness**

- Adjust the parent unit's LCD screen brightness.


**Camera settings**


**Baby unit speaker volume**

- Adjust the baby unit's speaker volume.

**Lullaby**





**Play/Stop lullaby**




≈1 ≈2 ≈3 ≈4

- Select one of the soothing sounds, or white noise.





1 2 3 4 5

- Select one of the five melodies.




- Play all melodies.




60min 45min 30min 15min

- Set timer to stop playing the selected melody or soothing sound.

**Night light**




**ON / OFF Turn on/off night light**




1 2 3 4 5 6 7

- Select one of the 7 night light colors.




- Select for the night light to cycle through all 7 colors automatically.



60min 30min 15min OFF

- Set the timer to turn the night light off.



**AUTO**




- Set the night light to turn on automatically when the baby unit detects sound. It will turn off after 15 minutes of no sound detection. You can set **VOX sensitivity level** to detect sounds that only exceed certain levels. See **Sound sensitivity and sound activation**.





## ON / OFF

- Turn on/off the adaptive night light feature. When this feature is on, the baby unit detects the ambient light. If the room is bright, the night light adjusts itself to be brighter; if the room is dim, the night light adjusts itself to be dimmer.




## Alert settings

- 
- Turn on/off Low battery alert tone.
- 
- Turn on/off Link lost alert tone.
- 
- Turn on/off Confirmation alert tone.

## Projection

- 
- ON / OFF Turn on/off projection light**
- 60min 45min 30min 15min
- Set timer to turn the projection light off.
- 
- AUTO**
- Auto turn on the projection light when baby unit detects sound. It will turn off after 15 minutes of no sound detection. See **Sound sensitivity and sound activation** section to learn more.

## Temperature

- 
- ON/OFF**
- Turn on/off temperature alert tone.
  - Set the parent unit to beep whenever the room temperature detected by the baby unit falls outside of the set temperature range.
- 
- Set the minimum temperature.
- 
- Set the maximum temperature.
- °F °C
- Set temperature display in Fahrenheit (°F) or Celsius (°C)

# ☑ PARENT UNIT ICONS (CONT'D)

## Sound activation - screen and audio



### ON / OFF Turn on/off sound activation

- Set sound activation on or off.
- When it is on while the parent unit screen stays off to save power, once a sound is detected, the parent unit screen automatically turns on. The parent unit will then turn off again after 50 seconds of no sound detection.

#### Note

- When the parent unit screen is off and it receives alerts, for example, link lost between parent unit and baby unit, or battery is low, the parent unit screen and speaker will turn on for 10 seconds.

## VOX (Voice Activated Alert) Sensitivity



- You can set VOX sensitivity level to activate the parent unit screen when the baby unit detects sounds that exceed certain levels. See **Sound sensitivity and sound activation**.

## Status icons



### Connection status

- - Strong signal strength.
- - Moderate signal strength.
- - Low signal strength.
- - Weak signal strength.



### Current view status



### Night vision - On



### Zoom - On



### Lullaby - On



### Night light - On



### Night light - Auto-on

- Color icon indicates the night light is set to auto-on, and is currently turned on by sound activation.
- Gray icon indicates the night light is currently off but is set to auto-on. Night light will turn on when sound is detected by the baby unit.

## Status icons



### Projection light - On



### Projection light - Auto on

- Color icon indicates the projection light is set to auto-on, and is currently turned on by sound activation.
- Gray icon indicates the projection light is currently off but is set to auto-on. Projection light will turn on when sound is detected by the baby unit.



### Real-time temperature

- Real-time temperature detected by the baby unit in Fahrenheit (°F) or Celsius (°C) (e.g. 57°F or 14°C).



### 9-level sound indicator

- indicates low sound level detected by the baby unit.
- indicates moderate sound level detected by the baby unit.
- indicates high sound level detected by the baby unit.

## Status icons



### Temperature alert tone - On



### Mute alert

- Displays when the parent unit speaker volume is set to off.
- Displays when the parent unit is talking to the baby unit.



### Battery status

- animates when the battery is charging.
- indicates battery is fully charged.
- indicates battery is low and needs charging.



- **Speaker volume** - displays the parent unit speaker volume level while adjusting.

## Alert icons



- Displays when parent unit's battery is low and needs charging.



- Displays when connection between parent unit and baby unit is lost.



- Baby unit detects temperature reaches or exceeds the set maximum.



- Baby unit detects temperature is at or is lower than the set minimum.



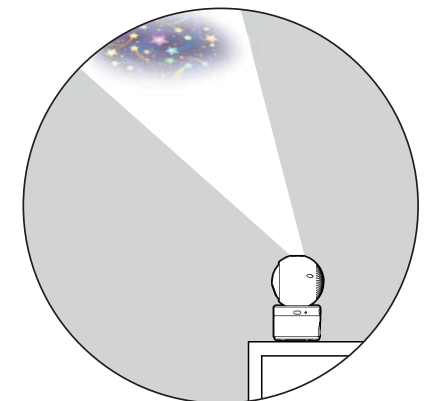
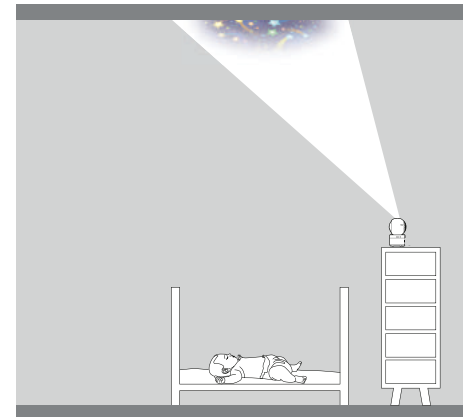
# PROJECTION LIGHT



### TIP

- The projection light located on the top of the baby unit projects a starry soft night light scene onto the ceiling with a tilting angle. Adjust your baby unit's position with the projection light to help soothe your baby to sleep. For optimal performance, place the baby unit in upright position.

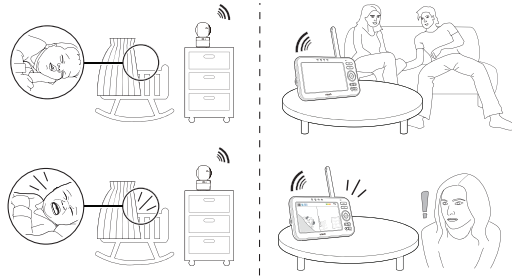
Optimal position



# SOUND SENSITIVITY AND SOUND ACTIVATION

## Sound activated screen and audio

The parent unit screen automatically stays off to save power when the baby unit does not detect any sounds. When **Sound activation** is turned on, once the baby unit detects sounds that are louder than the chosen sound sensitivity level, the parent unit screen and speaker turn on automatically. The parent unit will then turn off again after 50 seconds of no sound detection.



### NOTE

- If you have muted the parent unit speaker, only the parent unit screen will turn on when a sound is detected.

## Adjust sound detection sensitivity

When you turn on **Sound activation**, you can adjust the baby unit's **VOX Sensitivity** to detect sounds and turn on the parent unit when its screen is switched off or dimmed.

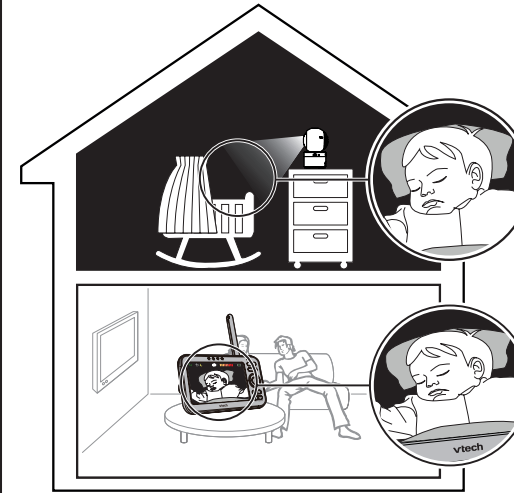
When the baby unit detects sounds that exceed certain levels, the parent unit screen will automatically turn on and the baby unit will transmit the detected sounds to the parent unit. You will then be able to see and hear your baby.

If you have turned on the **Night light Auto-on** feature, it will turn on automatically to soothe your baby.

If you turn off **Sound activation**, you will hear sounds from the baby unit all the time, even when the parent unit screen is switched off.

| VOX SENSITIVITY LEVEL | Level 5 (Highest)   | Level 4 (High)  | Level 3 (Medium)  | Level 2 (Low)  | Level 1 (Lowest)   |
|-----------------------|---|---|---|--|--|
|                       |   |   |   |  |  |
| DESCRIPTION           | (Default setting)<br>The parent unit screen and speaker turn on for very quiet sounds, including background noises from your baby's room. | The parent unit screen and speaker turn on for soft babbling and louder sounds from your baby. The parent unit remains quiet when your baby sleeps soundly. | The parent unit screen and speaker only turn on for loud babbling and louder sounds from your baby. The parent unit remains quiet when your baby makes soft sounds. | The parent unit screen and speaker only turn on for crying and louder sounds from your baby. The parent unit remains quiet when your baby makes soft sounds. | The parent unit screen and speaker only turn on for loud crying or screeching sounds from your baby. The parent unit remains quiet when your baby makes soft sounds. |

# NIGHT VISION



The baby unit has infrared LEDs that allow you to see your baby clearly at night or in a dark room. When the baby unit detects low light levels, the infrared LEDs switch on automatically. The images from the baby unit is then in black and white, and appears on the screen.

### NOTES

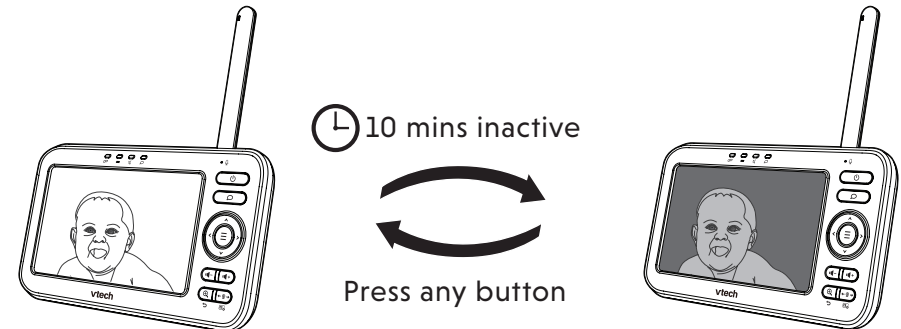
- It is normal to see a short white glare on your parent unit screen as the baby unit adapts to the dark environment.
- When the infrared LEDs are on, it is normal for the images to be in black and white.

### TIP

- Depending on the surroundings and other interfering factors, for example, lighting, objects, colours and backgrounds, the image quality may vary. Adjust the baby unit angle or place the baby unit at a higher location to prevent glare and a blurred display.

# DIM MODE

Dim mode helps you save parent unit power. Your parent unit display will automatically dim after 10 minutes of inactivity, when no keys are pressed or alerts are received from the baby unit.



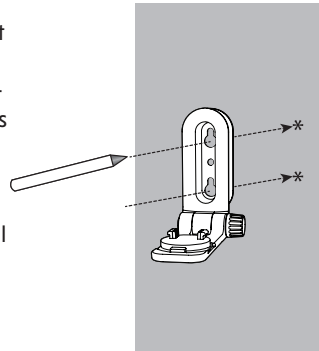


# MOUNT THE BABY UNIT ON DRY WALL (OPTIONAL)

## NOTES

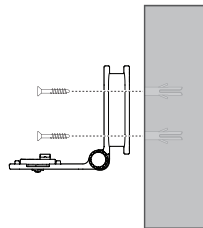
- Check for reception strength and camera angle of the baby unit before drilling the holes.
- The types of screws and anchors you need depend on the composition of the wall. You may need to purchase the screws and anchors separately to mount your baby units.

1. Place the wall mount bracket on a wall and then use a pencil to mark two holes in parallel. Remove the wall mount bracket and drill two holes in the wall (5.5mm drill bit).

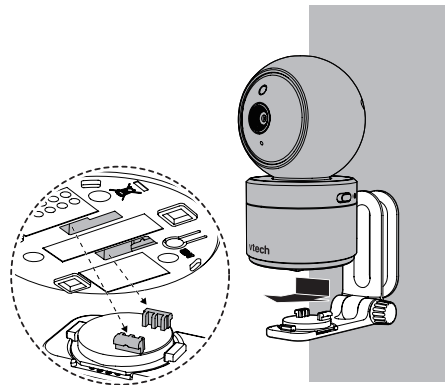


2. If you drill the holes into a stud, go to step 3.
- If you drill the holes into an object other than a stud, insert the wall anchors into the holes. Tap gently on the ends with a hammer until the wall anchors are flush with the wall.

3. Align the wall mount bracket and screws with the holes in the wall as shown. Tighten the screw in the middle hole first, so that the wall mount bracket position is fixed. You can tighten the other screw in the top hole.

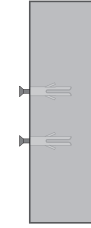


4. Place the baby unit on the wall mount bracket, and then slide it forward until it locks into place. Connect the power adapter to the baby unit and a power supply.

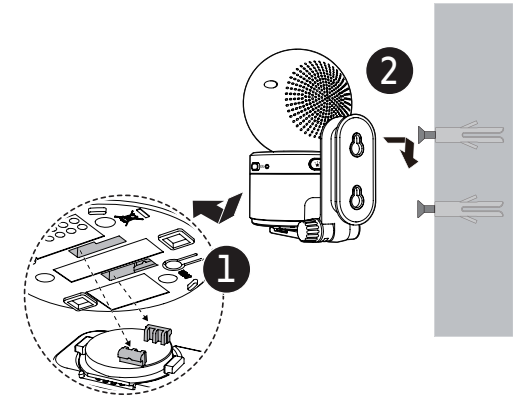


## OR

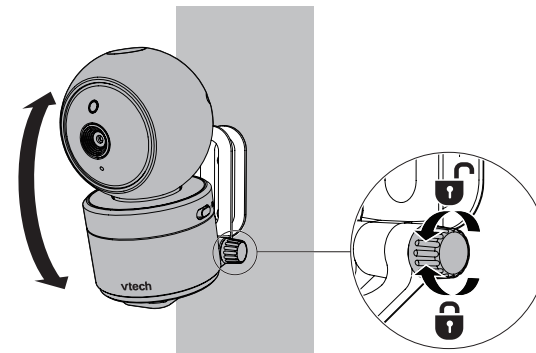
3. Insert the screws into the holes and tighten the screws until only 6.5mm of the screws are exposed.



4. Place the baby unit on the wall mount bracket, and then slide it forward until it locks into place. Align the holes on the wall mount bracket with the screws on the wall, and slide the wall mount bracket down until it locks into place.



5. You can maximize your baby unit's viewing angles by tilting the wall mount bracket. Hold the baby unit, and then rotate the knob in anticlockwise direction. This will loosen the joint of the wall mount bracket. Tilt your baby unit up or down to adjust to your preferred angle. Then, rotate the knob in clockwise direction to tighten the joint and secure the angle.



## GENERAL PRODUCT CARE

To keep this product working well and looking good, follow these guidelines:

- Avoid putting it near heating appliances and devices that generate electrical noise (for example, motors or fluorescent lamps).
- DO NOT expose it to direct sunlight or moisture.
- Avoid dropping the product or treating it roughly.
- Clean with a soft damp cloth.
- DO NOT immerse the parent unit and the baby unit in water and do not clean them under running water.
- DO NOT use cleaning spray or liquid cleaners.
- Make sure the baby unit and parent unit are dry before you connect them to the mains again.

## STORAGE

When you are not going to use the baby monitor for some time, store the parent unit, the baby unit and the adaptors in a cool, dry place.

## ADULT SUPERVISION

- This baby monitor should be used as an aid and proper adult supervision is required.
- Do not place the baby unit inside the cot or playpen.
- As for child's safety, touch or play with the baby monitor and all the accessories are not allowed. THIS IS NOT A TOY.

## TECHNICAL SPECIFICATIONS

|                         |  |
|-------------------------|--|
| Frequency control       | Crystal controlled PLL synthesizer   |
| Transmit frequency      | Baby unit: 2405-2475 MHz<br>Parent unit: 2405-2475 MHz<br>Maximum power used by the transmitter: 0.1W (100mW)                          |
| Channels                | 32   |
| LCD                     | 5" Color LCD (QVGA 480x272 pixel)  |
| Nominal effective range | Actual operating range may vary according to environmental conditions at the time of use.  |
| Power requirements      | Parent unit: 3.8V Li-ion battery<br>Baby unit power adapter:<br>Output: 5V DC @ 1A<br>Parent unit power adapter:<br>Output: 5V DC @ 1A |

Credits:  
The Background Noise sound file was created by Caroline Ford, and is used under the Creative Commons license.  
The Stream Noise sound file was created by Caroline Ford, and is used under the Creative Commons license.  
The Crickets At Night sound file was created by Mike Koenig, and is used under the Creative Commons license.  
The Heart Beat sound file was created by Zarabadeu, and is used under the Creative Commons license.

Importer: Snom Technology GmbH  
Aroser Allee 66, 13407 Berlin  
Manufacturer: VTech Telecommunications Ltd.  
23/F., Tai Ping Industrial Centre, Block 1, 57 Ting Kok Road, Tai Po, Hong Kong.

## CUSTOMER SERVICE AND WARRANTY



### CUSTOMER SERVICE AND WARRANTY

#### IMPORTANT

Please retain the receipt as proof of purchase.

#### Customer service

You are the owner of a quality product from VTech®, manufactured with care and under strict quality controls.

The warranty does not cover the following:

- Damage to the product due to improper use.
- Damage caused by failure to observe the operating instructions.
- Unauthorised repairs or modifications to the product.
- Faulty batteries or damage caused by battery leakage.
- Damage caused by defective or ineffective packaging used in transit or damage caused during transportation.
- Damage to the LCD display.

If you have any questions, please contact our Customer Service:

[www.vtechphones.eu](http://www.vtechphones.eu)

## DISPOSAL OF BATTERIES AND PRODUCT



The crossed-out wheellie bin symbols on products and batteries, or on their respective packaging, indicates they must not be disposed of in domestic waste as they contain substances that can be damaging to the environment and human health.



The chemical symbols Hg, Cd or Pb, where marked, indicate that the battery contains more than the specified value of mercury (Hg), cadmium (Cd) or lead (Pb) set out in Battery Directive (2006/66/EC).

The solid bar indicates that the product was placed on the market after 13th August, 2005.

Help protect the environment by disposing of your product or batteries responsibly.

## DECLARATION OF CONFORMITY

This product is intended for use within Europe.

This equipment complies with the essential requirements for the Radio Equipment and Telecommunications Terminal Equipment Directive 2014/53/EU.

VTech Telecommunications Ltd. hereby declares that this Video Baby Monitor VM5463 is in compliance with the essential requirements and other relevant provisions of Directive 2014/53/EU.

The Declaration of Conformity for the VM5463 is available from

[www.vtech.com/rtte-directive](http://www.vtech.com/rtte-directive).



Specifications are subject to change without notice.  
© 2023 VTech Telecommunications Ltd.  
All rights reserved. 06/23. VM5463\_SNOM\_EN\_QSG\_V1



## Video-Babyphone mit 5"-Bildschirm und Pan-Tilt-Kamera



# vtech®

## Bedienungsanleitung

## WICHTIGE SICHERHEITSHINWEISE

Das Typenschild befindet sich unten an der Basis der Babyeinheit.

Bei der Verwendung unserer Geräte sollten stets grundlegende Sicherheitsmaßnahmen beachtet werden, um Gefahren durch Feuer, Stromschläge oder Verletzungen zu vermeiden. Dazu zählen:

1. Beachten Sie alle Warnungen und Anweisungen, die auf dem Produkt angegeben sind.
2. Die Einrichtung muss durch einen Erwachsenen erfolgen.
3. **VORSICHT:** Installieren Sie die Babyeinheit nicht auf einer größeren Höhe.
4. Dieses Produkt dient als Hilfsmittel. Es stellt keinen Ersatz für eine verantwortungsvolle und ordnungsgemäße Aufsicht durch einen Erwachsenen dar und sollte nicht als solche verwendet werden.
5. Dieses Produkt ist nicht für den Einsatz als medizinische Überwachung vorgesehen.
6. Verwenden Sie dieses Produkt nicht in der Nähe von Wasser, z. B. in der Nähe von Badewannen, Waschbecken, Schwimmbecken oder Duschen.
7. **VORSICHT:** Nutzen Sie nur den mitgelieferten Akku. Wenn in der Elterneinheit ein falscher Batterietyp (Akkutyp) verwendet wird, kann Explosionsgefahr bestehen. Der Akku soll während des Gebrauchs, der Lagerung oder des Transports keinen extrem hohen oder extrem niedrigen Temperaturen oder niedrigem Luftdruck (in großer Höhe) ausgesetzt werden. Entsorgung des Akkus in Feuer bzw. einem heißen Ofen oder durch Quetschen bzw. Zerschneiden kann zu seiner Explosion führen. Die Lagerung oder die Verwendung des Akkus in einer Umgebung mit extrem hohen Temperaturen kann zu einer Explosion oder zum Austreten von brennbaren Flüssigkeiten oder Gasen führen. Setzen Sie den Akku nie extrem niedrigem Luftdruck (in großer Höhe) aus, da auch dies zu einer Explosion oder zum Austreten von brennbaren Flüssigkeiten oder Gasen führen kann. Entsorgen Sie gebrauchte Akkus und Batterien immer gemäß den entsprechenden rechtlichen Anweisungen.
8. Verwenden Sie mit diesem Produkt nur die mitgelieferten Netzteile. Eine falsche Netzteilpolarität oder -spannung kann schwere Schäden am Gerät verursachen.



Netzteil-Information:

Output der Elterneinheit: 5V DC 1A.

VTech Telecommunications Ltd.

Modell: VT05EEU05100

Ten Pao Industrial Co., Ltd.

Modell: S005BNV0500100, S005BNB0500100

Output der Babyeinheit: 5V DC 1A.

VTech Telecommunications Ltd.

Modell: VT05EEU05100

Ten Pao Industrial Co., Ltd.

Modell: S005BNV0500100, S005BNB0500100



Verwenden Sie ausschließlich die im Lieferumfang enthaltenen Batterien:

Li-Ionen-Batterie, 3,8V 2100mAh, 7,98Wh;

Zhongshan Tianmao Battery Co., Ltd.

Modell: BP1763


9. Die Netzteile sind für eine ordnungsmäßige Platzierung in einer vertikalen oder Bodensteckdose vorgesehen. Die Kontaktstifte sind nicht geeignet, den Stecker in einer Steckdose an der Decke, unter dem Tisch oder in einem Schrank zu halten.
10. Bei Geräten mit Netzteil oder Anschlusskabel sollte der Stecker (das Netzteil) in der Nähe des Geräts und an einer leicht zugänglichen Stelle eingesteckt werden.
11. Ziehen Sie den Stecker des Geräts aus der Steckdose, bevor Sie es reinigen. Verwenden Sie keine flüssigen oder Sprühreiniger. Verwenden Sie einen feuchten Lappen für die Reinigung.
12. Nehmen Sie keine Änderungen an den Netzteilen vor und ersetzen Sie sie nicht durch andere Netzteile. Es besteht Verletzungsgefahr.
13. Legen oder stellen Sie keine Gegenstände auf die Stromkabel. Stellen Sie das Gerät nicht an Orten auf, an denen auf die Kabel getreten oder die Kabel gequetscht werden könnten.
14. Dieses Produkt sollte nur über die Art von Stromquelle betrieben werden, die auf dem Typenschild angegeben ist. Wenn Sie nicht sicher sind, welche Stromversorgung in Ihrem Zuhause vorliegt, wenden Sie sich an Ihren Händler oder Energieversorger.
15. Überlasten Sie Steckdosen nicht und verwenden Sie keine Verlängerungskabel.
16. Stellen Sie dieses Produkt nicht auf wackelige Tische, Regale, Ständer oder anderen ungeeigneten Oberflächen auf.
17. Dieses Produkt sollte nicht an Orten ohne ordnungsgemäße Belüftung aufgestellt werden. Die Schlitze und Öffnungen an der Rück- oder Unterseite dieses Produkts dienen der Belüftung. Um ein Überhitzen zu ver-

meiden, dürfen diese Öffnungen nicht blockiert werden, indem das Produkt auf einer weichen Oberfläche wie einem Bett, Sofa oder Teppich aufgestellt wird. Dieses Produkt sollte niemals neben oder über einer Heizung oder Heizquelle aufgestellt werden.

18. Stecken Sie niemals irgendwelche Gegenstände durch die Öffnungen in das Gerät hinein – sie könnten unter Spannung stehende Teile berühren oder gefährliche Kurzschlüsse verursachen. Verschütten Sie niemals irgendwelche Flüssigkeiten auf das Gerät.
19. Um das Risiko von Stromschlägen zu reduzieren, nehmen Sie dieses Produkt nicht auseinander, sondern bringen Sie es zu einer autorisierten Servicewerkstatt. Das Öffnen oder Entfernen von Teilen des Produkts (abgesehen von den vorgesehenen Akkuklappe) kann Sie gefährlichen Spannungen oder anderen Risiken aussetzen. Das falsche Neuzusammensetzen kann bei der folgenden Inbetriebnahme zu Stromschlägen führen.
20. Sie sollten den Tonempfang bei jeder Inbetriebnahme oder Bewegung der Einheiten prüfen.
21. Prüfen Sie regelmäßig alle Bestandteile auf Schäden.
22. Bei Verwendung bestimmter elektronischer Geräte wie Babyphones, schnurlose Telefone usw. besteht ein sehr geringes Risiko einer Verletzung Ihrer Privatsphäre. **Um Ihre Privatsphäre zu schützen, stellen Sie sicher, dass Ihr Produkt vor dem Kauf nie verwendet worden ist. Setzen Sie das Babyphone regelmäßig durch Ausschalten und anschließend durch Einschalten zurück, und schalten Sie es aus, wenn Sie nicht vorhaben, es in der näheren Zukunft wieder zu benutzen.**
23. Kinder sollten beaufsichtigt werden, um sicherzustellen, dass sie nicht mit dem Produkt spielen.
24. Kleinteile dieses Babyphones können von Babys oder Kleinkindern verschluckt werden. Bewahren Sie diese Teile außerhalb der Reichweite von Kindern auf.
25. Dieses Produkt ist nicht für die Verwendung durch Personen (einschließlich Kinder) mit eingeschränkten körperlichen, sensorischen oder geistigen Fähigkeiten oder mangelnder Erfahrung oder Kenntnis gedacht, sofern sie nicht von einer für ihre Sicherheit verantwortlichen Person beaufsichtigt oder in die Verwendung des Geräts eingewiesen wurden.

#### BEWAHREN SIE DIESE ANLEITUNG AUF

#### Warnungen

- Verwenden und lagern Sie das Produkt bei einer Temperatur zwischen 0 °C und 40 °C.
- Unsachgemäße Handhabung von Akkus kann zu Verbrennungs-, Brand- oder Explosionsgefahren führen.
- Batterien und Akkus sollten keiner übermäßigen Hitze wie hellem Sonnenlicht oder Feuer ausgesetzt werden.
- Setzen Sie das Produkt keiner extremen Kälte, Hitze oder direkter Sonneneinstrahlung aus. Stellen Sie das Gerät nicht in die Nähe einer Hitzequelle.
- **⚠ Warnung – STRANGULIERUNGSGEFAHR!** Kinder können sich mit Netzkabeln STRANGULIEREN. Bewahren Sie dieses Kabel mehr als 1 m außerhalb der Reichweite von Kindern auf. Entfernen Sie nicht das Warnschild auf dem Netzkabel. 
- Stellen oder installieren Sie Babyeinheit niemals ins Kinderbettchen oder den Laufstall des Kindes. Bedecken Sie die Baby- oder Elterneinheit niemals mit einer Decke oder ähnlicher Bedeckung.
- Andere elektronische Produkte können Störungen Ihrer Kameraeinheit verursachen. Versuchen Sie, Ihre Kameraeinheit so weit wie möglich von folgenden elektronischen Geräten entfernt aufzustellen: Kabellose Router, Radios, Mobiltelefone, Gegensprechanlagen, Überwachungskameras, Fernsehgeräte, PCs, Küchengeräte und schnurlose Telefone.

#### Vorsichtsmaßnahmen für Patienten mit Herzschrittmacher

Herzschrittmacher (die folgende Vorsichtsmaßnahmen gelten nur für digitale schnurlose Geräte): Wireless Technology Research, LLC (WTR), eine unabhängige Forschungsorganisation, führte eine multidisziplinäre Bewertung der Interferenz zwischen tragbaren drahtlosen Geräten und implantierten Herzschrittmachern durch. Zusammen mit der amerikanischen FDA (Food & Drug Administration), empfiehlt WTR Ärzten wie folgt:

#### Patienten mit Herzschrittmacher

- Halten Sie drahtlose Geräte mindestens 15 cm vom Herzschrittmacher entfernt
- Halten Sie eingeschaltete drahtlose Geräte NIEMALS direkt über den Herzschrittmacher, z. B. in eine Brusttasche.

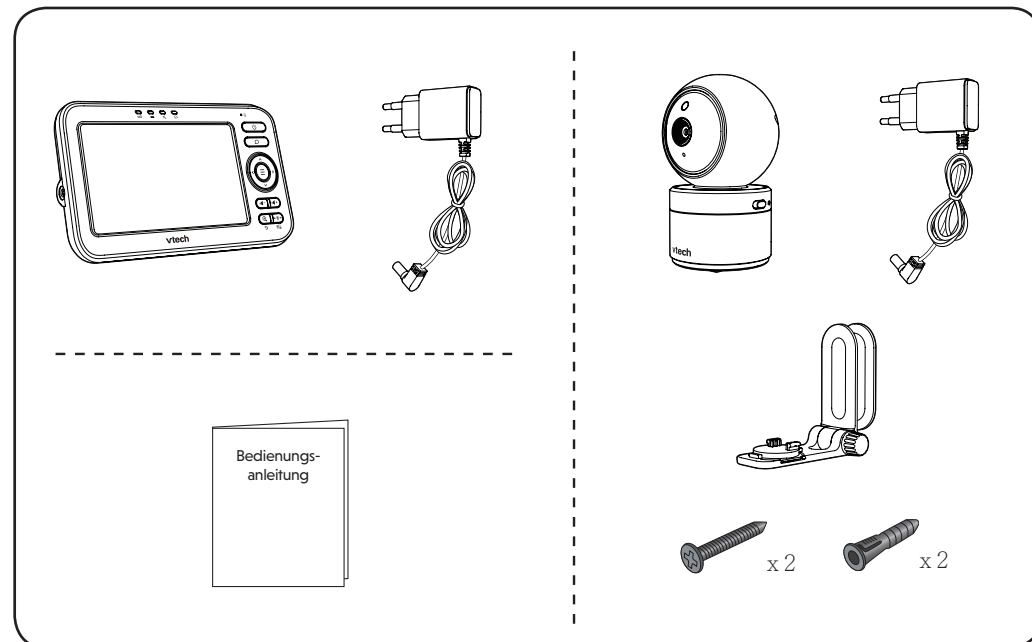
Die von WTR durchgeführte Forschung fand kein Beweis für Risiko für Patienten mit Herzschrittmacher seitens anderen Personen, die sich in der Nähe befinden während sie drahtlose Geräte verwenden.

#### Elektromagnetische Felder (EMF)

Dieses Produkt von VTech entspricht allen Normen für elektromagnetische Felder (EMF). Bei den heute verfügbaren wissenschaftlichen Erkenntnissen, stellt ordnungsgemäße Verwendung dieses Produktes gemäß den in diesem Benutzerhandbuch enthaltenen Anweisungen keine Gefahr dar.



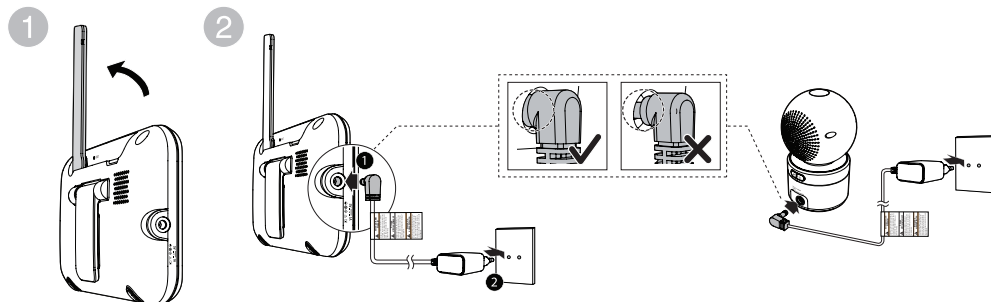
## PACKUNGSINHALT



## 1 DEN BABYMONITOR VERBINDEN

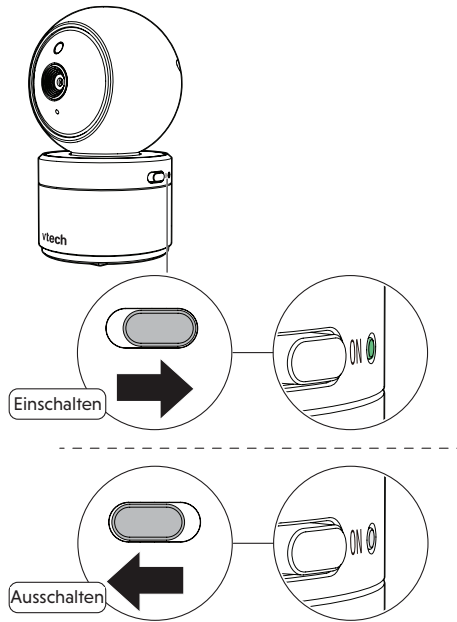
#### HINWEISE

- Der Akku befindet sich in der Elterneinheit und ist nicht herausnehmbar.
- Verwenden Sie nur das im Lieferumfang enthaltene Netzteil.
- Stellen Sie sicher, dass die Babyeinheit nicht mit einer schaltbaren Steckdose verbunden ist.
- Die Netzteile dürfen nur für vertikal oder auf dem Boden angebrachte Steckdosen benutzt werden. Der Stecker ist nicht dafür vorgesehen, in Steckdosen an der Decke oder unter Tischplatten verwendet zu werden.
- Achten Sie darauf, dass sich Elterneinheit und Kabel außerhalb der Reichweite von Kindern befinden.

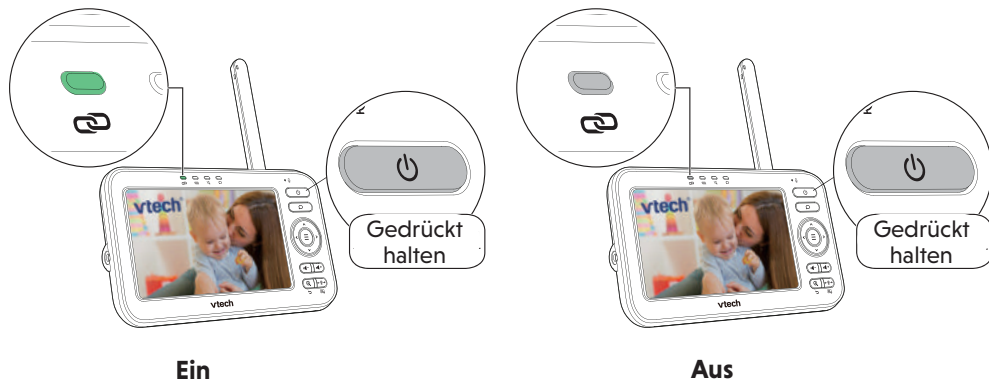


## 2 EIN- UND AUSSCHALTEN

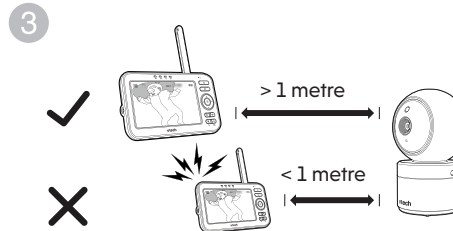
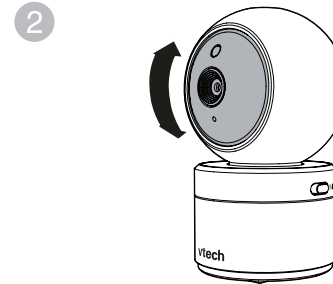
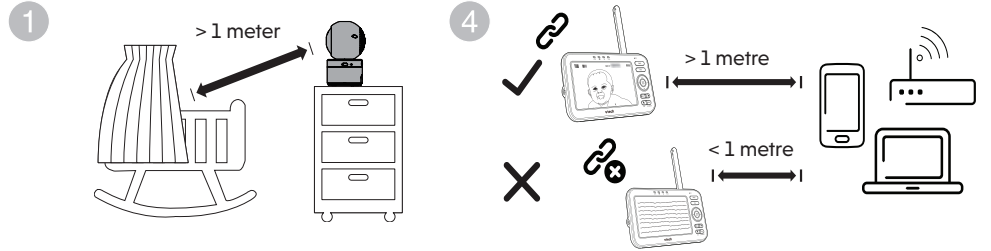
- 1 Bewegen Sie den Ein-/Aus-Schalter an der Babyeinheit, um sie ein- oder auszuschalten.



- 2 Halten Sie die Ein-/Aus-Taste  gedrückt, um die Elterneinheit ein- oder auszuschalten.



## 3 POSITIONIERUNG DER BABYEINHEIT



### Hinweis

- Um Störungen durch andere elektronische Geräte zu vermeiden, legen Sie den Babymonitor mindestens 1 m von Geräten wie WLAN-Routern, Mikrowellen, Handys und Computern weg.

### ⚠ ACHTUNG


- Halten Sie die Babyeinheit außerhalb der Reichweite Ihres Babys. Bitte montieren Sie niemals die Babyeinheit im Inneren des Kinderbetts oder im Laufstall.

### ⚠ ACHTUNG

- Die voreingestellte Lautstärke der Elterneinheit ist Stufe 4; die maximale Lautstärke ist Stufe 7. Sollten Sie hohe Töne hören, beachten Sie bitte Folgendes:
  - Stellen Sie sicher, dass die beiden Einheiten mit mindestens 1 Meter Abstand positioniert sind.
  - Verringern Sie die Lautstärke der Elterneinheit.



## 4 VERBINDUNG PRÜFEN

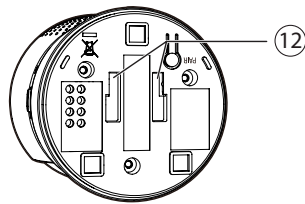
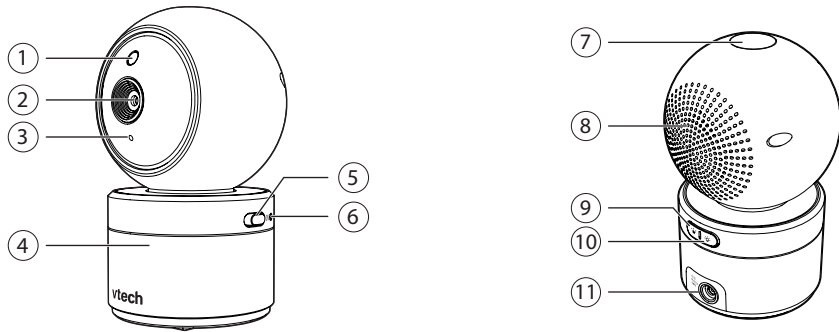
Wenn Sie die Eltern- und die Babyeinheit eingeschaltet haben, zeigt die Elterneinheit Bilder von der Babyeinheit an und das LED-Lämpchen  leuchtet.

Das LED-Lämpchen **ON** an der Babyeinheit leuchtet ebenfalls.





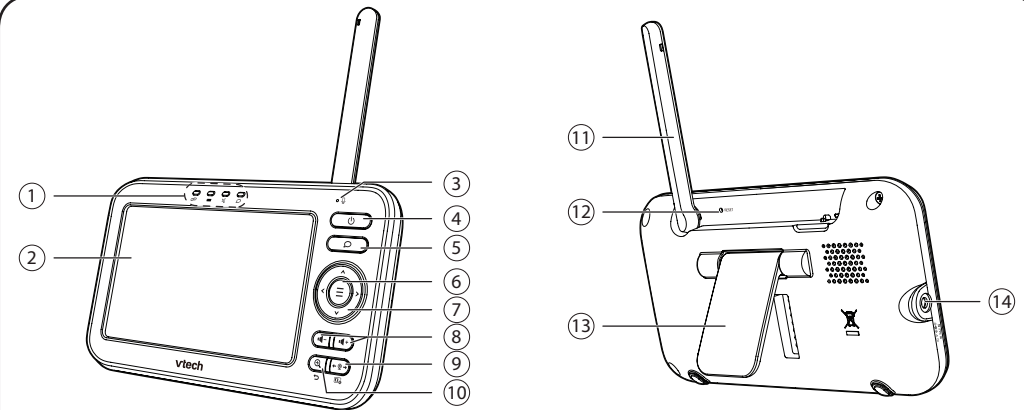
## ÜBERBLICK - BABYEINHEIT



- |                            |   |
|----------------------------|---|
| 1 <b>Lichtsensoren</b>     | 7 <b>Nachtlicht-Projektor</b>                             |
| 2 <b>Kameralinse</b>       | 8 <b>Lautsprecher</b>                                     |
| 3 <b>Mikrofon</b>          | 9 <b>★ Projektion-Ein/Aus-Taste</b>                       |
| 4 <b>Nachtlicht</b>        | 10 <b>☀ Nachtlicht-Ein/Aus-Taste</b>                      |
| 5 <b>Ein-/Aus-Schalter</b> | 11 <b>Netzadapterbuchse</b>                               |
| 6 <b>Status-LED</b>        | 12 <b>Aufhängevorrichtung zur Befestigung an der Wand</b> |
- Diese LED leuchtet, wenn die Babyeinheit und die Elterneinheit eingeschaltet und verbunden sind.
  - Diese LED blinkt, wenn die Babyeinheit nicht erkannt wurde oder wenn die Verbindung zwischen Elterneinheit und Babyeinheit unterbrochen ist.



## ÜBERBLICK - ELTERNEINHEIT



- |                      |                               |                                |
|----------------------|-------------------------------|--------------------------------|
| 1 <b>Status-LEDs</b> | 4 <b>Ein/Aus</b>              | 9 <b>← → Ansicht / LCD-Aus</b> |
| • Verbindung         | 5 <b>Sprechen</b>             | 10 <b>Zoom / Zurück</b>        |
| • Batterie           | 6 <b>Menü/Auswählen</b>       | 11 <b>Antenne</b>              |
| • Lautlos            | 7 <b>Pfeiltasten</b>          | 12 <b>RESET</b>                |
| • Sprechen           | 8 <b>Leiser-/Lauter-Taste</b> | 13 <b>Standfuß</b>             |
| 2 <b>LCD-Display</b> |                               | 14 <b>Netzsteckerbuchse</b>    |
| 3 <b>Mikrofon</b>    |                               |                                |



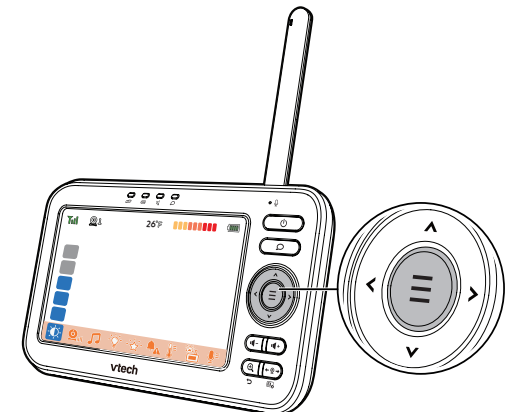
## BASISFUNKTIONEN - ELTERNEINHEIT

### Hauptmenü


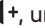
Drücken Sie die Menü-Taste **≡**, um ins Menü zu gelangen, eine Option auszuwählen oder eine Einstellung zu speichern. Sie können mit der Elterneinheit erweiterte Einstellungen steuern. Beispielsweise können Sie an der Babyeinheit Schlaflieder abspielen oder die Geräuschempfindlichkeit der Babyeinheit anpassen.

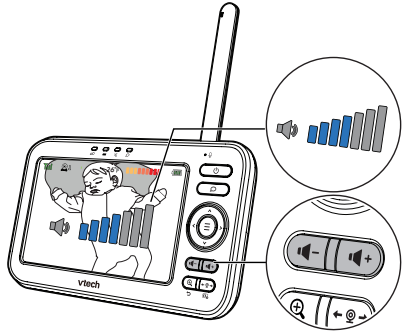
Wenn Sie sich im Hauptmenü befinden:

- Drücken Sie **←** oder **→**, um durch das Hauptmenü zu blättern.
- Drücken Sie **≡**, um ein Untermenü auszuwählen oder eine Einstellung zu speichern.
- Drücken Sie **▲** oder **▼**, um durch das Untermenü zu blättern oder um eine Einstellung anzupassen.
- Drücken Sie **←**, um ohne zu speichern zum vorherigen Menüpunkt zurückzukehren.
- Drücken Sie **Zoom / Zurück**, um zum Video der Babyeinheit zurückzukehren.




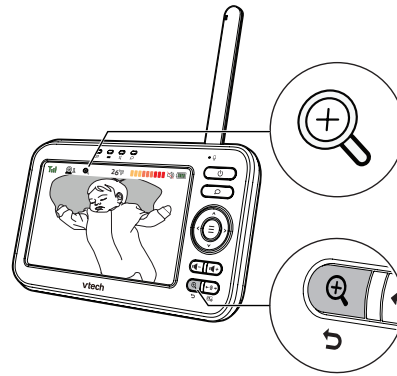
## Lautstärke anpassen

Drücken Sie die Leiser-/Lauter-Taste  / , um die Lautstärke der Elterneinheit zu ändern. Dies beeinflusst, in welcher Lautstärke Geräusche von der Babyeinheit wiedergegeben werden.





## Zoomen

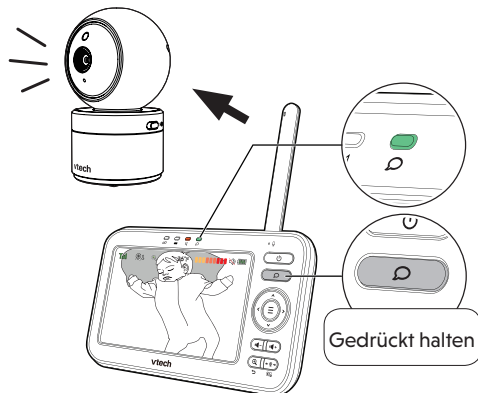
Drücken Sie , um den Bildausschnitt der Babyeinheit zu vergrößern oder zu verkleinern.




## Gegensprechfunktion

Sie können die Gegensprechfunktion der Elterneinheit nutzen, um Ihr Baby zu beruhigen.

1. Halten Sie die -Taste auf der Elterneinheit gedrückt.
2. Sprechen Sie in Richtung des Mikrofons auf der Elterneinheit. Ihre Stimme wird zur Babyeinheit übertragen.
3. Lassen Sie die -Taste los, um die Übertragung zu beenden.



## Den Bildschirm abschalten

Drücken Sie , um den Bildschirm abzuschalten. Sie können weiterhin Geräusche von der Babyeinheit hören.































### Tipp

- Drücken Sie eine beliebige Taste, um den Bildschirm wieder einzuschalten.

# DISPLAYMELDUNGEN DER ELTERNEINHEIT

## Menü-Symbole

| Hauptmenü  | Untermenü   |
|--|---|
|   |  <ul style="list-style-type: none"> <li>• Passen Sie die Bildschirm-Helligkeit der Elterneinheit an.</li> </ul>  |
|   |  <p><b>Lautsprecherlautstärke (Babyeinheit)</b></p> <ul style="list-style-type: none"> <li>• Passen Sie die Lautsprecherlautstärke der Babyeinheit an.</li> </ul>  |
|   |  /  <p><b>Schlaflied</b></p> <p>   </p> <p>    </p> <ul style="list-style-type: none"> <li>• Wählen Sie ein beruhigendes Geräusch oder weißes Rauschen aus.</li> <li>• Wählen Sie eine der fünf Melodien aus.</li> </ul> <p></p> <ul style="list-style-type: none"> <li>• Spielen Sie alle Melodien ab.</li> </ul> <p> <b>60min 45min 30min 15min OFF</b></p> <ul style="list-style-type: none"> <li>• Stellen Sie einen Timer, um die Wiedergabe nach der gewählten Zeit automatisch zu beenden.</li> </ul>   |
|  | <b>ON / OFF</b>        <p><b>Das Nachtlicht ein-/ausschalten</b></p> <ul style="list-style-type: none"> <li>• Wählen Sie eine der sieben Lichtfarben aus.</li> </ul> <p> <b>60min 30min 15min OFF</b></p> <ul style="list-style-type: none"> <li>• Stellen Sie einen Timer, um das Licht nach der gewählten Zeit automatisch abzuschalten.</li> </ul> <p> <b>AUTO</b></p> <ul style="list-style-type: none"> <li>• Das Nachtlicht schaltet sich automatisch ein, wenn die Babyeinheit ein Geräusch wahrnimmt. Das Nachtlicht schaltet sich nach 15min automatisch ab, wenn kein weiteres Geräusch erkannt wird. Sie können die Geräuschempfindlichkeit so einstellen, dass nur Geräusche erkannt werden, die eine gewisse Lautstärke überschreiten. Weitere Informationen finden Sie im Abschnitt „<b>Geräuschempfindlichkeit und Geräuschaktivierung</b>“.</li> </ul> <p><b>ON / OFF</b></p> <ul style="list-style-type: none"> <li>• Schalten Sie das adaptive Nachtlicht ein, damit es sich an die Umgebungsbeleuchtung anpasst. Das Nachtlicht wird heller, wenn die Umgebung hell ist und es wird schwächer, wenn die Umgebung nur schwach beleuchtet ist.</li> </ul> |

Hauptmenü Untermenü

## Projektionslicht



ON / OFF



Das Projektionslicht ein-/ausschalten  
60min 45min 30min 15min

- Stellen Sie einen Timer, um die Projektion nach der gewählten Zeit automatisch abzuschalten.



AUTO

- Die Projektion schaltet sich automatisch ein, wenn die Babyeinheit ein Geräusch wahrnimmt. Die Projektion schaltet sich nach 15min automatisch ab, wenn kein weiteres Geräusch erkannt wird. Sie können die Geräuschempfindlichkeit so einstellen, dass nur Geräusche erkannt werden, die eine gewisse Lautstärke überschreiten. Weitere Informationen finden Sie im Abschnitt „**Geräuschempfindlichkeit und Geräuschaktivierung**“.

## Alarm-Einstellungen



- Den Batteriealarmton ein-/ausschalten.



- Den Verbindungsalarmton ein-/ausschalten.



- Den Bestätigungsalarmton ein-/ausschalten.

## Projektionslicht



ON / OFF



Das Projektionslicht ein-/ausschalten  
60min 45min 30min 15min

- Stellen Sie einen Timer, um die Projektion nach der gewählten Zeit automatisch abzuschalten.



AUTO

- Die Projektion schaltet sich automatisch ein, wenn die Babyeinheit ein Geräusch wahrnimmt. Die Projektion schaltet sich nach 15min automatisch ab, wenn kein weiteres Geräusch erkannt wird. Sie können die Geräuschempfindlichkeit so einstellen, dass nur Geräusche erkannt werden, die eine gewisse Lautstärke überschreiten. Weitere Informationen finden Sie im Abschnitt „**Geräuschempfindlichkeit und Geräuschaktivierung**“.

## Temperatur



ON / OFF

- Den Temperaturalarm ein-/ausschalten.
- Die Elterneinheit piept, wenn die von der Babyeinheit gemessene Zimmertemperatur außerhalb des festgelegten Bereichs liegt.



- Temperaturminimum festlegen.



- Temperaturmaximum festlegen.

°F / °C

- Temperatureinheit ändern (Fahrenheit [°F] oder Celsius [°C]).

## Geräuschaktivierung - Bildschirm und Audio



ON / OFF Geräuschaktivierung ein- oder ausschalten

- Die Geräuschaktivierung ein- oder ausschalten.
- Wenn Sie diese Funktion aktiviert haben und Sie den Bildschirm der Elterneinheit ausgeschaltet haben, um Energie zu sparen, schalten sich der Bildschirm und der Lautsprecher automatisch ein, sobald ein Geräusch erkannt wird. Der Bildschirm der Elterneinheit schaltet sich nach 50 Sekunden automatisch ab, wenn kein weiteres Geräusch erkannt wurde.

### HINWEIS

- Wenn der Bildschirm der Elterneinheit ausgeschaltet ist und ein Alarm eingeht (z. B. Verbindung unterbrochen, Batterie schwach), schalten sich der Bildschirm und der Lautsprecher der Elterneinheit für 10 Sekunden ein.

## Geräuschempfindlichkeit



- Sie können verschiedene Stufen der Geräuschempfindlichkeit einstellen, um den Bildschirm und den Lautsprecher der Elterneinheit zu aktivieren, wenn die Babyeinheit einen gewissen Geräuschpegel erkennt. Weitere Informationen dazu finden Sie im Abschnitt „**Geräuschempfindlichkeit und Geräuschaktivierung**“.

## Status-Symbole



### Verbindungsstatus

- - sehr gutes Signal zwischen der Eltern- und der Babyeinheit.
- - mittleres Signal zwischen der Eltern- und der Babyeinheit.
- - schwaches Signal zwischen der Eltern- und Babyeinheit.
- - keine Verbindung zwischen der Eltern- und der Babyeinheit.



### Aktuelle Babyeinheit



### Nachtsicht - ein



### Zoom - Bildausschnitt vergrößert



### Schlaflied - ein



### Nachtlicht - ein



### Nachtlicht - automatisch

- Ist das Symbol farbig, ist die Geräuschaktivierung für das Nachtlicht eingeschaltet und das Nachtlicht leuchtet gerade.
- Ist das Symbol grau, ist die Geräuschaktivierung für das Nachtlicht eingeschaltet, aber das Nachtlicht ist gerade aus. Sobald ein Geräusch an der Babyeinheit erkannt wird, schaltet sich das Nachtlicht ein.

## Status-Symbole



### Projektion - ein



### Projektion - automatisch

- Ist das Symbol farbig, ist die Geräuschaktivierung für die Projektion eingeschaltet und die Projektion ist gerade an.
- Ist das Symbol grau, ist die Geräuschaktivierung für die Projektion eingeschaltet, aber die Projektion ist gerade aus. Sobald ein Geräusch an der Babyeinheit erkannt wird, schaltet sich die Projektion ein.

### °F oder °C Temperatur

- Zeigt die von der Babyeinheit gemessene Temperatur in Grad Fahrenheit (°F) oder Celsius (°C) an.

### 9-stufige Geräuschpegelanzeige

- zeigt einen niedrigen Geräuschpegel an der Babyeinheit an.
- zeigt einen mittleren Geräuschpegel an der Babyeinheit an.
- zeigt einen hohen Geräuschpegel an der Babyeinheit an.



## Status-Symbole



**Temperaturalarm - ein**



**Lautlos**

- Wird angezeigt, wenn die Lautsprecherlautstärke der Elterneinheit auf Null gestellt ist.
- Wird angezeigt, wenn die Elterneinheit Geräusche zur Babyeinheit überträgt.



**Batteriestatus**

- wird angezeigt, wenn die Batterie lädt.
- wird angezeigt, wenn die Batterie aufgeladen ist.
- wird angezeigt, wenn die Batterie schwach ist und geladen werden muss.

**Lautsprecherlautstärke** - Zeigt die Lautsprecherlautstärke, während die Einstellung angepasst wird.

## Alarm-Symbole



• Wird angezeigt, wenn die Batterie der Elterneinheit schwach ist und geladen werden muss.



• Wird angezeigt, wenn die Verbindung zwischen Eltern- und Babyeinheit unterbrochen ist.



• Wird angezeigt, wenn die Babyeinheit eine Temperatur misst, die über der festgelegten Maximaltemperatur liegt.



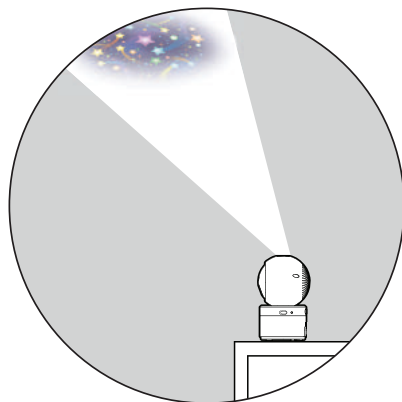
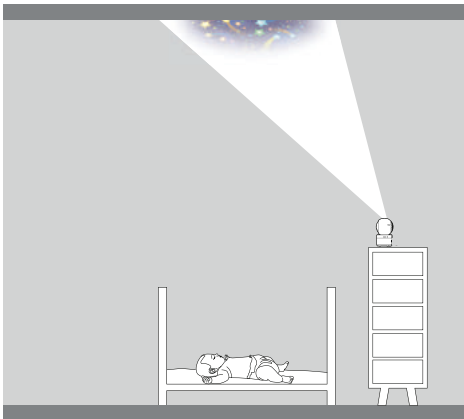
• Wird angezeigt, wenn die Babyeinheit eine Temperatur misst, die unter der festgelegten Minimaltemperatur liegt.

# PROJEKTION

## TIPP

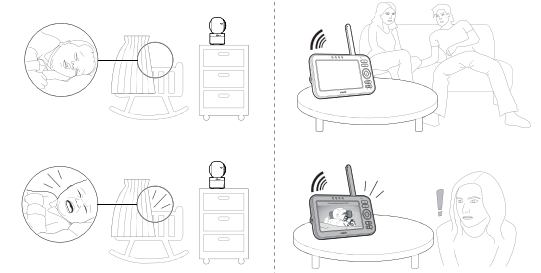
- Der Projektor befindet sich an der Oberseite der Babyeinheit und wirft beruhigende Projektionen an die Decke. Richten Sie die Projektionen aus, wenn die Projektionen eingeschaltet sind. Das Resultat ist am besten, wenn die Babyeinheit aufrecht steht.

Optimale Position



## Geräuschaktivierung

Wenn die Geräuschaktivierung eingeschaltet ist, aber kein Ton innerhalb von 50 Sekunden erkannt wird, schaltet sich der Bildschirm der Elterneinheit automatisch ab, um Energie zu sparen. Wenn die Babyeinheit ein Geräusch erkennt, das die Empfindlichkeitsstufe überschreitet, aktiviert diese die Elterneinheit automatisch und der Bildschirm geht sofort an. Wenn 50 Sekunden lang kein Geräusch erkannt wird, schaltet sich der Bildschirm wieder aus.



## Hinweis

- Wenn Sie die Elterneinheit auf lautlos geschaltet haben und die Babyeinheit Geräusche erkennt, schaltet sich nur der Bildschirm ein.

## Einstellen der Geräuschempfindlichkeit der Babyeinheit

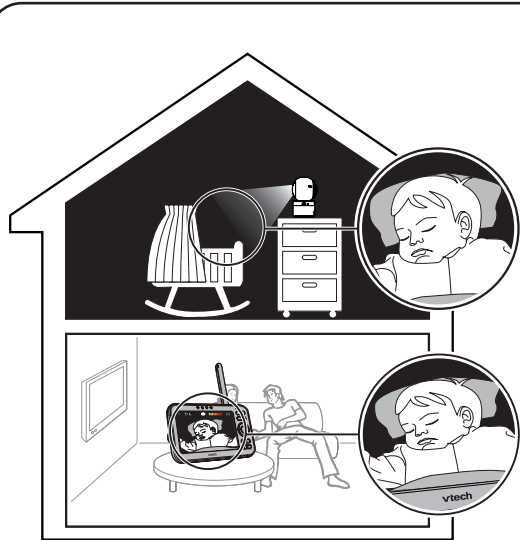
Sie können auswählen, ob Sie den Klängen und Geräuschen aus der Babyeinheit die ganze Zeit zuhören möchten, oder nur denen, die eine gewisse Lautstärke überschreiten. Sie können die Elterneinheit verwenden, um die Mikrofonempfindlichkeit Ihrer Babyeinheit von der **niedrigsten** **zur höchsten Stufe** einzustellen.

Wenn Sie die Geräuschaktivierung eingeschaltet haben, schaltet sich der Bildschirm der Elterneinheit automatisch ein, wenn die eingestellte Lautstärke überschritten wird. Sie können Ihr Baby dann sehen und hören. Wenn Sie die Geräuschaktivierung ausgeschaltet haben, können Sie Ihr Baby hören, wenn die eingestellte Lautstärke überschritten wird, auch wenn der Bildschirm der Elterneinheit ausgeschaltet ist.

Je höher die Empfindlichkeit ist, desto genauer überträgt die Babyeinheit die Geräusche auf die Elterneinheit. Die Klangempfindlichkeit ist voreingestellt auf die höchste Stufe (**Stufe 5**).

| GERÄUSCH-EMPFINDLICHKEIT | Stufe 5<br>(Am höchsten)   | Stufe 4<br>(Hoch)   | Stufe 3<br>(Mittel)   | Stufe 2<br>(Niedrig)  | Stufe 1<br>(Am niedrigsten)   |
|--------------------------|--|---|---|---|---|
|                          |  |   |   |   |   |
| BESCHREIBUNG             | (Standard-einstellung)<br>Der Lautsprecher der Elterneinheit ist ständig an, und Sie hören alle Töne und Klänge (einschließlich Hintergrundgeräuschen) aus dem Raum Ihres Babys. | Der Lautsprecher der Elterneinheit schaltet sich für leises Babbeln und leise Geräusche Ihres Babys ein. Er schaltet sich nicht ein, wenn Ihr Baby ruhig schläft. | Der Lautsprecher der Elterneinheit schaltet sich bei lautem Babbeln und lauterem Geräuschen ein. Er schaltet sich nicht ein, wenn Ihr Baby leise Geräusche macht. | Der Lautsprecher der Elterneinheit schaltet sich bei lautem Babbeln und lauten Geräuschen ein. Er schaltet sich nicht ein, wenn Ihr Baby leise Geräusche macht. | Der Lautsprecher der Elterneinheit schaltet sich für lautes Schreien oder bei lauten Geräuschen Ihres Babys ein. Er schaltet sich nicht ein, wenn Ihr Baby leise Geräusche macht. |

## ☾ INFRAROT-NACHTSICHT



Die Babyeinheit hat Infrarot-LEDs, was Ihnen ermöglicht, Ihr Baby auch bei Nacht und Dunkelheit zu sehen. Wenn die Babyeinheit niedrigere Helligkeitsstufen erkennt, gehen die Infrarot-LEDs automatisch an. Die auf die Elterneinheit übertragenen Bilder sind schwarz-weiß. Auf dem Bildschirm der Elterneinheit erscheint dieses Symbol ☾

### 📖 Hinweise

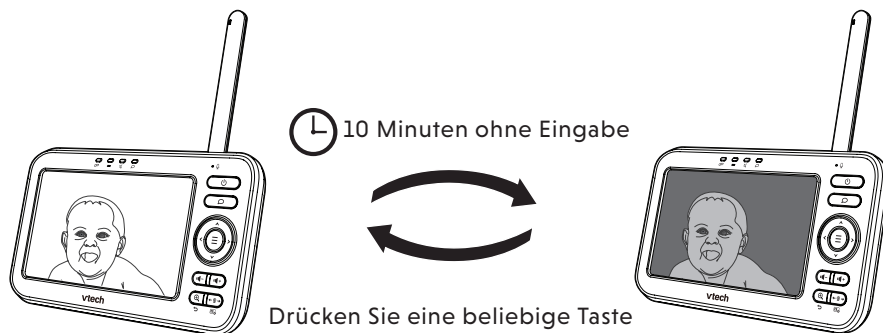
- Es ist normal, wenn Sie ein kurzes weißes Aufblitzen auf Ihrer Elterneinheit sehen, sobald sich die Babyeinheit an die dunkle Umgebung angepasst hat.
- Wenn die Infrarot-LEDs aktiviert sind, ist das übertragene Bild schwarz-weiß.

### ☀️ TIPP

- In Abhängigkeit von der Umgebung und anderen Störfaktoren, wie Leuchten, Objekten, Farben und Hintergründen, kann die Anzeigeauflösung variieren. Verändern Sie den Winkel der Babyeinheit oder platzieren Sie sie woanders, um Störfaktoren zu vermeiden.

## 📱 DIMM-MODUS

Sie sparen Energie, wenn die Elterneinheit im Dimm-Modus ist. Nach 10 Minuten der Inaktivität, in denen weder Tasten gedrückt noch Geräusche von der Babyeinheit wahrgenommen werden, schaltet die Elterneinheit automatisch in den Dimm-Modus.

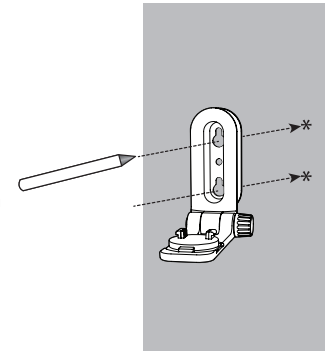


## 📏 BABYEINHEIT AN WAND BEFESTIGEN (OPTIONAL)

### 📖 HINWEISE

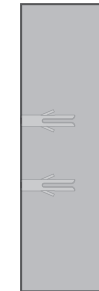
- Prüfen Sie die Empfangsstärke und den Kamerawinkel der Babyeinheit, bevor Sie die Löcher bohren.
- Welche Arten von Schrauben und Dübel benötigt werden, hängt vom Wandaufbau ab. Es kann sein, dass für die Befestigung der Babyeinheit an Ihrer Wand entsprechende Schrauben und Dübel benötigt werden, die separat erworben werden müssen.

1. Platzieren Sie die Wandhalterung an die Wand und markieren Sie die zwei Löcher parallel auf der Wand mit einem Bleistift. Legen Sie die Wandhalterung ab und bohren Sie zwei Löchern in der Wand in den markierten Punkten (5,5 mm-Bohrer).

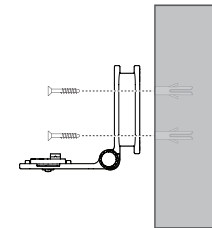


2. Wenn Sie Löcher in ein Holzprofil einer Ständerwand bohren, gehen Sie zu Schritt 3.

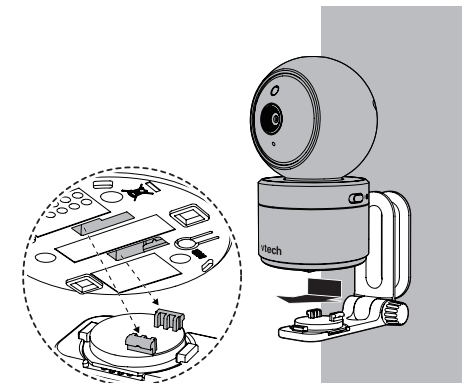
- Wenn Sie die Löcher in andere Materialien als ein Holzprofil einer Ständerwand bohren, stecken Sie Dübel in die Löcher. Tippen Sie mit einem Hammer vorsichtig auf die Dübel, bis sie bündig mit der Wand abschließen.



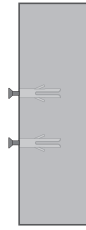
3. Richten Sie die Halterung der Wandbefestigung wie in der Darstellung mit den Löchern an der Wand aus. Ziehen Sie zunächst die Schraube im mittleren Loch fest, damit die Halterung in Position bleibt. Nun können Sie die andere Schraube im oberen Loch anziehen.



4. Platzieren Sie die Babyeinheit in der Wandhalterung und schieben Sie sie vorwärts, bis sie einrastet. Verbinden Sie das Netzteil mit der Babyeinheit.

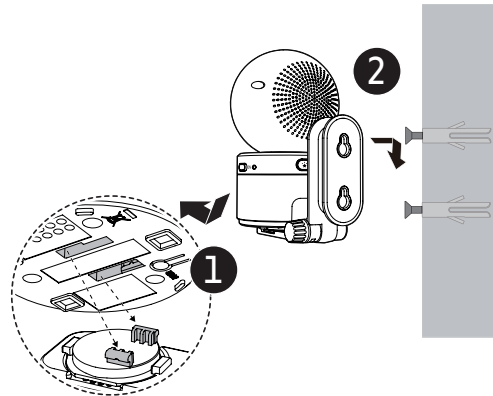


- Setzen Sie die Schrauben in die Löcher in die Dübel ein und ziehen Sie die Schrauben an, bis nur ungefähr 6 mm der Schrauben hervorsteht.

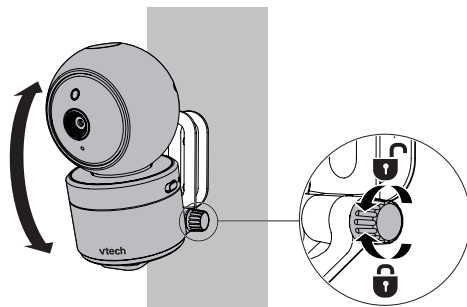


## ODER

- Platzieren Sie die Babyeinheit in der Wandhalterung und schieben Sie sie vorwärts, bis sie einrastet. Richten Sie die Löcher an der Wandhalterung mit den Schrauben an der Wand aus, und schieben Sie die Wandhalterung nach unten, bis sie einrastet.



- Sie können den Aufnahmewinkel der Babyeinheit vergrößern, indem Sie die Wandhalterung neigen. Halten Sie die Babyeinheit und drehen Sie den Knopf gegen den Uhrzeigersinn. Damit wird das Gelenk der Wandhalterung gelöst. Neigen Sie Ihre Babyeinheit hoch oder runter, um den gewünschten Winkel einzustellen. Drehen Sie den Knopf nun im Uhrzeigersinn, um das Gelenk festzustellen und den Winkel beizubehalten.



## ALLGEMEINE PFLEGEHINWEISE

Befolgen Sie diese Hinweise, damit dieses Produkt immer gut aussieht und perfekt funktioniert:

- Stellen Sie es nicht in der Nähe von Heizgeräten und Geräten auf, die elektrische Interferenz erzeugen können (z. B. Motoren oder Leuchtstofflampen).
- Setzen Sie das Produkt KEINER direkten Sonneneinstrahlung aus und schützen Sie es vor Nässe.
- Lassen Sie das Produkt nicht fallen und behandeln Sie es vorsichtig.
- Reinigen Sie das Produkt nur mit einem feuchten Tuch.
- Tauchen Sie die Eltern- oder Babyeinheit NIEMALS in Wasser und reinigen Sie sie nicht unter dem Wasserhahn.
- Verwenden Sie mit dem Produkt KEINE flüssige Reinigungsmittel oder Sprühreiniger.
- Stellen Sie sicher, dass Eltern- und Babyeinheit trocken sind, bevor Sie sie wieder an das Stromnetz anschließen.

## AUFBEWAHRUNG

Wenn Sie das Babyphone längere Zeit nicht benutzen, bewahren Sie die Elterneinheit, die Babyeinheit und die Netzteile an einem kühlen und trockenen Ort auf.

## AUFSICHT DURCH ERWACHSENE

- Dieses Babyphone ist ausschließlich für den Gebrauch durch Erwachsene bestimmt.
- Stellen Sie die Babyeinheit nicht ins Kinderbettchen oder den Laufstall des Kindes.
- Um die Sicherheit Ihrer Kinder zu gewährleisten, sollten Sie sie nicht mit dem Babyphone und seinem Zubehör spielen lassen. DIESES GERÄT IST KEIN SPIELZEUG.

## TECHNISCHE DATEN

|                      |   |
|----------------------|---|
| Frequenzkontrolle    | Quarzgesteuerte PLL-Synthesizer   |
| Übertragungsfrequenz | Babyeinheit: 2405 - 2475 MHz<br>Elterneinheit: 2405 - 2475 MHz<br>Maximale Sendeleistung: 0.1W (100mW)  |
| Channels             | 32  |
| LCD                  | 5" LCD-Farbdisplay (QVGA 480x272 pixel)   |
| Reichweite           | Die tatsächliche Reichweite variiert je nach Umweltbedingungen bei der Benutzung.   |
| Energieversorgung    | Elterneinheit: 3,8V Li-Ionen-Batterie<br>Netzteil der Babyeinheit:<br>Ausgang: 5V DC @ 1A<br>Netzteil der Elterneinheit:<br>Ausgang: 5V DC @ 1A |

# KUNDENDIENST UND GARANTIE



## KUNDENDIENST UND GARANTIE

### WICHTIG

Bewahren Sie den Kassenbeleg als Kaufnachweis auf.

### Kundendienst

Sie sind der Besitzer eines Qualitätsprodukts von VTech®, das mit Sorgfalt und unter strengen Qualitätskontrollen hergestellt wurde.

Folgende Punkte werden von der Garantie nicht abgedeckt:

- Beschädigung des Produkts durch unsachgemäßen Gebrauch.
- Unbefugte Reparaturen oder Änderungen am Produkt.
- Durch Nichtbeachtung der Gebrauchsanweisung verursachte Schäden.
- Fehlerhafte Akkus oder durch Auslaufen der Akkus verursachte Schäden.
- Durch mangelhafte oder unwirksame Transportverpackungen verursachte Schäden oder Transportschäden.
- Beschädigung des LCD-Displays.

Bei Fragen wenden Sie sich bitte an unseren Kundendienst:

[www.vtechphones.eu](http://www.vtechphones.eu)

# KONFORMITÄTSERKLÄRUNG

Dieses Produkt ist für den Einsatz innerhalb Europas vorgesehen.

Dieses Produkt entspricht den wesentlichen Bedingungen der Richtlinie über Funkanlagen und Telekommunikationsendeinrichtungen 2014/53/EU.

VTech Telecommunications Ltd. erklärt hiermit, dass dieses Video-Babyphone VM5463 die wesentlichen Bedingungen und gültigen Vorschriften von Direktive 2014/53/EU einhält.

Die Konformitätserklärung für das VM5463 ist unter [www.vtech.com/rtte-directive](http://www.vtech.com/rtte-directive) direkt verfügbar.



## ENTSORGUNG VON BATTERIEN, AKKUS UND GERÄTEN



Das durchgestrichene Mülltonnensymbol auf Geräten und Batterien bzw. der Verpackung bedeutet, dass diese Artikel nicht im Hausmüll entsorgt werden dürfen, da sie Materialien enthalten, die schädlich für die Umwelt und die menschliche Gesundheit sind.



Die chemischen Symbole Hg, Cd oder Pb weisen ggf. darauf hin, dass die Batterie (der Akku) mehr als die in der Batterieverordnung (2006/66/EC) vorgeschriebene Menge an Quecksilber (Hg), Cadmium (Cd) oder Blei (Pb) enthalten.

Die ausgefüllte Leiste weist darauf hin, dass das Produkt nach dem 13. August 2005 auf den Markt gebracht wurde.

Helfen Sie mit, die Umwelt zu schützen – entsorgen Sie Ihre Geräte, Batterien und Akkus verantwortungsbewusst.

### Credits:

Die „Background Noise“-Datei wurde von Caroline Ford erstellt und wird mit Creative Commons-Lizenz verwendet.

Die „Stream Noise“-Datei wurde von Caroline Ford erstellt und wird mit Creative Commons-Lizenz verwendet.

Die „Crickets At Night“-Datei wurde von Mike Koenig erstellt und mit Creative Commons-Lizenz verwendet.

Die „Heart Beat“-Datei wurde von Zarabadeu erstellt und wird mit Creative Commons-Lizenz verwendet.

Importeur: Snom Technology GmbH.

Aroser Allee 66, 13407, Berlin

Hersteller: VTech Telecommunications Ltd.

23/F., Tai Ping Industrial Centre, Block 1, 57 Ting Kok Road, Tai Po, Hong Kong



VTech ist ein eingetragenes Warenzeichen von VTech Holdings Limited. Änderungen vorbehalten  
© 2023 für VTech Telecommunications Ltd.  
Alle Rechte vorbehalten. 06/23. VM5463\_SNOM\_QSG\_DE\_V1



VM5463

## Monitor de video para bebés con pantalla de 5 pulgadas, con cámara panorámica orientable



# vtech®

## Guía de inicio rápido

## INSTRUCCIONES DE SEGURIDAD IMPORTANTES

La placa de identificación utilizada se encuentra en la parte inferior de la base de la unidad para el bebé. Al utilizar el equipo, deben seguirse siempre las precauciones básicas de seguridad para reducir el riesgo de incendio, descarga eléctrica y lesiones, incluyendo:

1. Siga todas las advertencias e instrucciones señaladas en el producto.
2. Se requiere instalación realizada por un adulto.
3. **PRECAUCIÓN:** No instale la unidad para el bebé a una altura superior a 2 metros.
4. Este producto ha sido diseñado como una ayuda. No es un sustituto de la supervisión responsable y adecuada de un adulto y no debe utilizarse como tal.
5. Este producto no está destinado a ser utilizado como un monitor médico.
6. No utilice este producto cerca del agua. Por ejemplo, no lo utilice junto a la bañera, el lavabo, el fregadero de la cocina, el lavadero o la piscina, ni en un sótano o ducha húmedos.
7. **PRECAUCIÓN:** Utilice únicamente la batería suministrada. Puede haber riesgo de explosión si se utiliza un tipo de batería incorrecto para la unidad parental. La batería no puede ser sometida a temperaturas extremas altas o bajas y a baja presión atmosférica a gran altura durante su uso, almacenamiento o transporte. Arrojar la batería al fuego o a un horno caliente, o aplastar o cortar mecánicamente la batería puede provocar una explosión. Dejar la batería en un entorno de temperatura extremadamente alta puede provocar una explosión o una fuga de líquido o gas inflamable. La batería sometida a una presión de aire extremadamente baja puede provocar una explosión o una fuga de líquido o gas inflamable. Deseche las baterías usadas de acuerdo con las instrucciones.
8. Utilice únicamente los adaptadores incluidos en este producto. Una polaridad o tensión incorrecta del adaptador puede dañar gravemente el producto.



Información sobre el adaptador de corriente:

Salida de la unidad parental: 5 V CC 1 A

VTech Telecommunications Ltd.

Modelo: VT05EEU05100

Salida de la unidad para el bebé: 5 V CC 1A.

VTech Telecommunications Ltd.

Modelo: VT05EEU05100



Información sobre las baterías recargable:

Batería de litio-ion, 3,8 V 2100 mAh



Zhongshan Tianmao Battery Co., Ltd. Número de modelo: BP1763

9. Los adaptadores de corriente están pensados para ser orientados correctamente en posición vertical o en el suelo. Las clavijas no están diseñadas para mantener el enchufe en su sitio si se conecta a una toma de corriente del techo, debajo de una mesa o de un armario.
10. Para los equipos enchufables, la toma de corriente deberá instalarse cerca del equipo y ser fácilmente accesible.
11. Desenchufe este producto de la toma de corriente antes de limpiarlo. No utilice limpiadores líquidos o en aerosol. Utilice un paño húmedo para la limpieza.
12. No corte los adaptadores de corriente para sustituirlos por otros enchufes, ya que esto provoca una situación de peligro.
13. No permita que nada se apoye en los cables de alimentación. No instale este producto en lugares donde los cables puedan ser pisados o enredarse.
14. Este producto solo debe funcionar con el tipo de alimentación eléctrica indicado en la etiqueta de identificación. Si no está seguro del tipo de alimentación de su casa, consulte a su distribuidor o a la compañía eléctrica local.
15. No sobrecargue las tomas de corriente ni utilice un cable alargador.
16. No coloque este producto sobre una mesa, estantería, soporte u otras superficies inestables.
17. Este producto no debe colocarse en ninguna zona donde no haya una ventilación adecuada. Las ranuras y aberturas en la parte posterior o inferior de este producto se proporcionan para la ventilación. Para evitar el sobrecalentamiento, estas aberturas no deben bloquearse colocando el producto sobre una superficie blanda, como una cama, un sofá o una alfombra. Este producto nunca debe colocarse sobre un radiador o calefactor o cerca de ellos.
18. No introduzca nunca objetos de ningún tipo en este producto a través de las ranuras porque podrían tocar puntos de tensión peligrosos o crear un cortocircuito. Nunca derrame líquido de ningún tipo sobre el producto.

19. Para reducir el riesgo de descarga eléctrica, no desmonte este producto, llévalo a un servicio técnico autorizado. Abrir o retirar partes del producto que no sean las puertas de acceso especificadas puede exponerle a tensiones peligrosas u otros riesgos. Un montaje incorrecto puede provocar una descarga eléctrica al utilizar posteriormente el producto.
20. Debe probar la recepción del sonido cada vez que encienda las unidades o mueva uno de los componentes.
21. Examine periódicamente todos los componentes en busca de daños.
22. Existe un riesgo muy bajo de pérdida de privacidad cuando se utilizan determinados dispositivos electrónicos, como monitores de bebés, teléfonos inalámbricos, etc. Para proteger su privacidad, asegúrese de que el producto no se ha utilizado nunca antes de comprarlo, reinicie el monitor para bebés periódicamente apagando y encendiendo las unidades, y apáguelo si no lo va a utilizar durante algún tiempo.
23. Los niños deben ser supervisados para garantizar que no jueguen con el producto.
24. El producto no está destinado a ser utilizado por personas (incluidos los niños) con capacidades físicas, sensoriales o mentales reducidas, o con falta de experiencia y conocimientos, a menos que hayan recibido supervisión o instrucciones sobre el uso del aparato por parte de una persona responsable de su seguridad.

### GUARDE ESTAS INSTRUCCIONES

#### Precauciones

1. Utilice y almacene el producto a una temperatura entre 0°C y 40°C.
2. No exponga el producto al frío extremo, al calor o a la luz solar directa. No coloque el producto cerca de una fuente de calor.
3. Las baterías no deben exponerse a un calor excesivo, como un sol intenso o el fuego.
4.  **Advertencia-Peligro de estrangulamiento**-Los niños pueden ESTRANGULARSE con cuerdas. Mantenga este cable fuera del alcance de los niños (a más de 0,9 m). No retire esta etiqueta. 
5. No coloque nunca la unidad para el bebé dentro de la cuna o corralito. Nunca cubra la unidad para el bebé o la unidad parental con una toalla o una manta.
6. Otros productos electrónicos pueden causar interferencias con el monitor para bebés. Procure instalar el monitor para bebés lo más lejos posible de estos aparatos electrónicos: routers inalámbricos, radios, teléfonos móviles, interfonos, monitores de habitación, televisores, ordenadores personales, aparatos de cocina y teléfonos inalámbricos.

#### Precauciones para los usuarios de marcapasos cardíacos implantados

Marcapasos cardíacos (solo se aplica a los dispositivos digitales sin cables):

Wireless Technology Research, LLC (WTR), una entidad de investigación independiente, dirigió una evaluación multidisciplinaria de las interferencias entre los dispositivos inalámbricos portátiles y los marcapasos cardíacos implantados. Con el apoyo de la Administración de alimentos y medicamentos de Estados Unidos, la WTR recomienda a los médicos que:

#### Los pacientes con marcapasos

- deben mantener los dispositivos inalámbricos a una distancia mínima de 15 centímetros del marcapasos.
- NO deben colocar dispositivos inalámbricos directamente sobre el marcapasos, como en un bolsillo del pecho, cuando esté encendido.

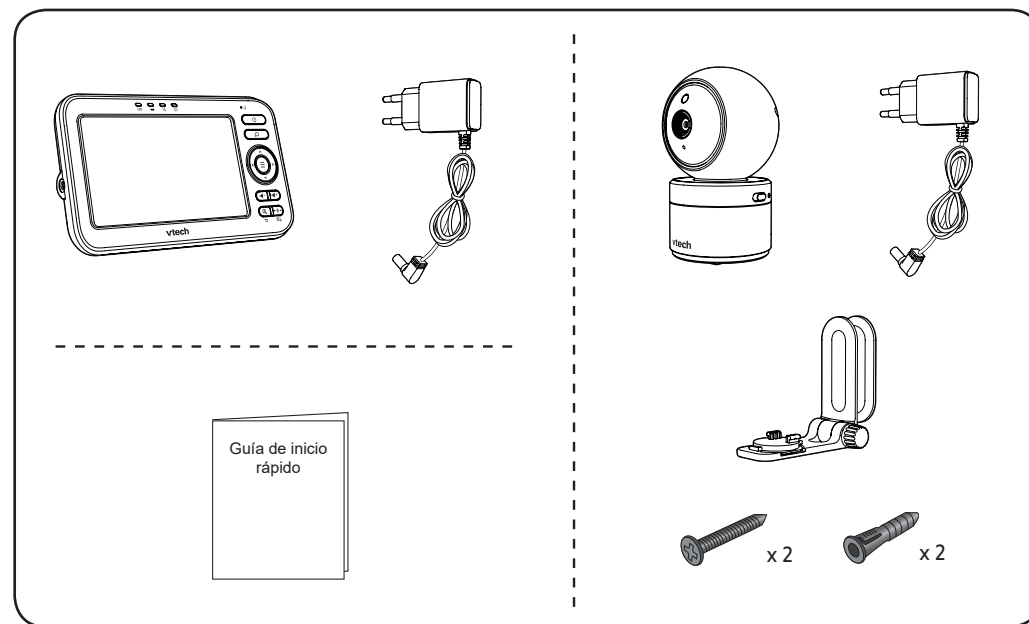
La evaluación de WTR no identificó ningún riesgo para los transeúntes con marcapasos por parte de otras personas que utilizan dispositivos inalámbricos.

#### Campos electromagnéticos (CEM)

Este producto de VTech cumple con todas las normas relativas a los campos electromagnéticos (CEM). Si se maneja adecuadamente y de acuerdo con las instrucciones de este manual de usuario, el producto es seguro para su uso, según las pruebas científicas disponibles en la actualidad.



## QUÉ INCLUYE LA CAJA

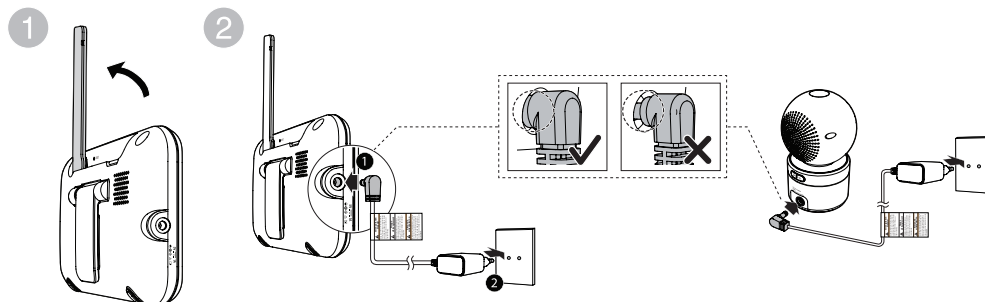


## 1

## CONEXIÓN DEL MONITOR PARA BEBÉS

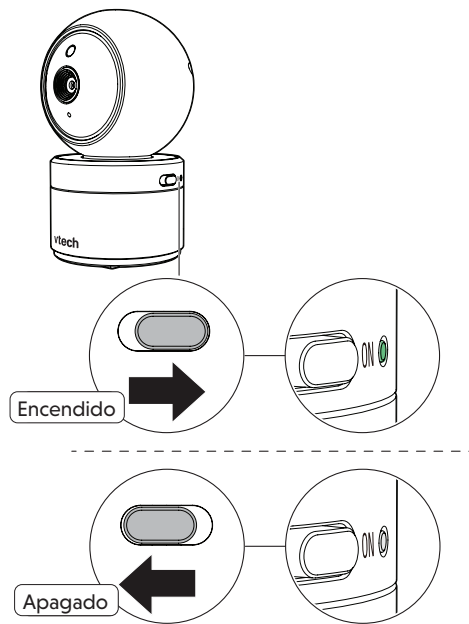
#### NOTAS


- La batería recargable de la unidad parental está incorporada.
- Utilice únicamente los adaptadores incluidos con este producto.
- Asegúrese de que el monitor para bebés no está conectado a una toma de corriente controlada por un interruptor.
- Conecte los adaptadores de corriente solo en posición vertical o en el suelo. Las clavijas de los adaptadores no están diseñadas para aguantar el peso del monitor para bebés, así que no los conecte a ninguna toma de corriente de techo, debajo de una mesa o un armario. De lo contrario, es posible que los adaptadores no se conecten correctamente a las tomas de corriente.
- Asegúrese de que la unidad parental, la unidad para el bebé y los cables del adaptador de corriente están fuera del alcance de los niños.



## 2 ENCENDER O APAGAR EL MONITOR PARA BEBÉS

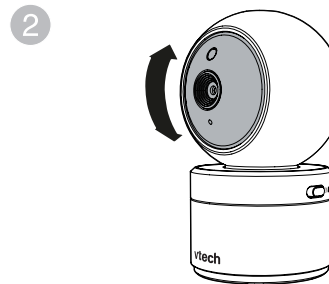
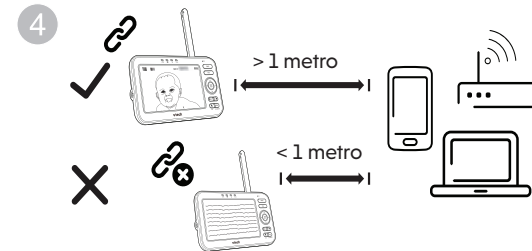
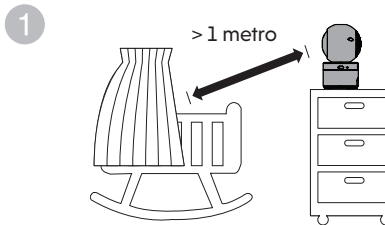
1 Mueva el interruptor para encender o apagar la unidad para el bebé.



2 Mantenga pulsado  para encender o apagar la unidad parental.



## 3 POSICIÓN DEL MONITOR PARA BEBÉS



### NOTA

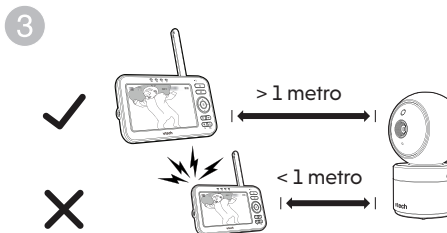
- Para evitar las interferencias de otros dispositivos electrónicos, coloque el monitor para bebés a una distancia mínima de 1 metro de dispositivos como routers inalámbricos, microondas, teléfonos móviles y ordenadores.

### PRECAUCIÓN


- El volumen por defecto de su unidad parental es el nivel 4 y el volumen máximo es el nivel 7. Si experimenta un chirrido agudo del monitor para bebés durante la colocación:



- Asegúrese de que la unidad para el bebé y la unidad parental están a más de 1 metro de distancia, O
- Baje el volumen de la unidad parental.



## 4 COMPROBACIÓN DE ESTADO

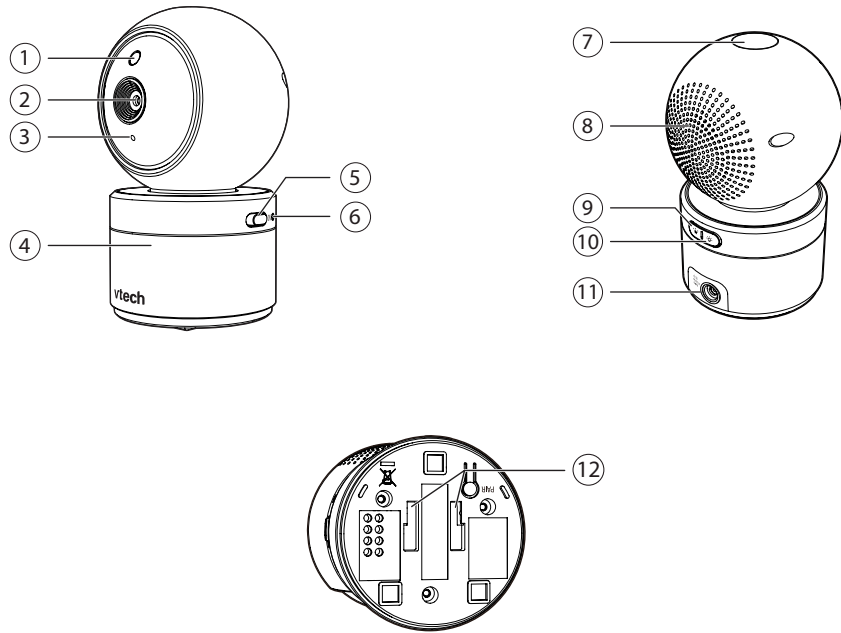
Una vez que encienda la unidad para el bebé y la parental, la unidad parental mostrará la imagen de la unidad para el bebé, y se encenderá la luz LED .

La luz LED de encendido de la unidad para el bebé también se ilumina.





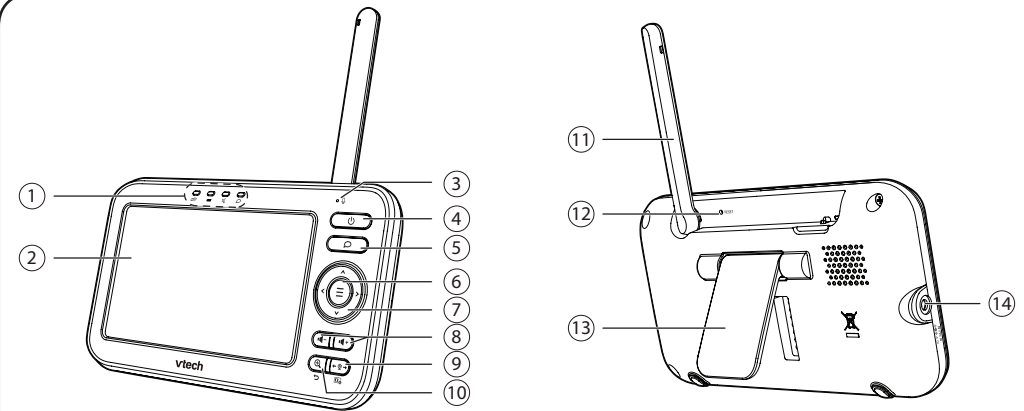
## RESUMEN - UNIDAD PARA EL BEBÉ



- |   |   |
|---|---|
| 1 <b>Sensor de luz</b>                    | 7 <b>Proyector de luz</b>                                     |
| 2 <b>Lente de cristal</b>                 | 8 <b>Altavoz</b>  |
| 3 <b>Micrófono</b>                        | 9 <b>★ Botón de encendido/apagado de la luz de proyección</b> |
| 4 <b>Luz nocturna</b>                     | 10 <b>☀ Botón de encendido/apagado de la luz nocturna</b>     |
| 5 <b>Interruptor de encendido/apagado</b> | 11 <b>Clavija de alimentación</b>                             |
| 6 <b>Luz LED de encendido/apagado</b>     | 12 <b>Ranuras para montaje en pared</b>                       |
- Encendido cuando la unidad para bebé se enciende y se empareja con la unidad parental.
  - Parpadea cuando no se está viendo la unidad para el bebé; o cuando se pierde la vinculación con la unidad parental.



## RESUMEN - UNIDAD PARENTAL



- |                                |                                    |                                   |
|--------------------------------|------------------------------------|-----------------------------------|
| 1 <b>Luces indicadoras LED</b> | 4 <b>⏻ Encendido/Apagado</b>       | 10 <b>🔍 Zoom / ↶ Salir</b>        |
| • 🔗 Vinculación                | 5 <b>🗨 Hablar</b>                  | 11 <b>Antena</b>                  |
| • 🔋 Batería                    | 6 <b>☰ Menú/Seleccionar</b>        | 12 <b>REINICIAR</b>               |
| • 📴 Silencio                   | 7 <b>Teclas de flecha</b>          | 13 <b>Soporte</b>                 |
| • 🗨 Hablar                     | 8 <b>🔊+ / 🔊- Teclas de volumen</b> | 14 <b>Clavija de alimentación</b> |
| 2 <b>Pantalla LCD</b>          | 9 <b>⬅️📶➡️ Vista / 📵 LCD off</b>   |                                   |
| 3 <b>Micrófono</b>             |                                    |                                   |



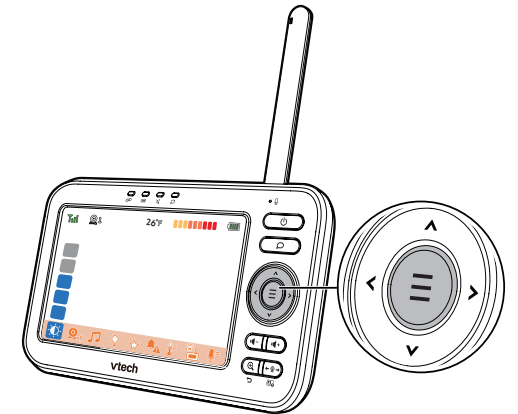
## FUNCIONAMIENTO BÁSICO - UNIDAD PARENTAL

### Utilización del menú

Pulse ☰ para acceder al menú, elegir una opción del menú o guardar un ajuste. Puede utilizar la unidad parental para realizar ajustes u operaciones avanzadas, como reproducir o detener una canción de cuna o ajustar la sensibilidad del sonido de la unidad para bebé.

Mientras permanece en el menú:

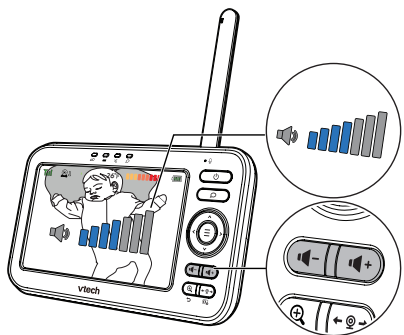
- Pulse < o > para desplazarse entre las opciones del menú principal.
- Pulse ☰ para elegir una opción o guardar un ajuste.
- Pulse ▲ o ▼ para desplazarse por los submenús o para ajustar una opción.
- Pulse ◀ para volver a las opciones del menú anterior sin cambiar la configuración actual.
- Pulse 🔍 Zoom / ↶ Salir para volver al vídeo en directo.





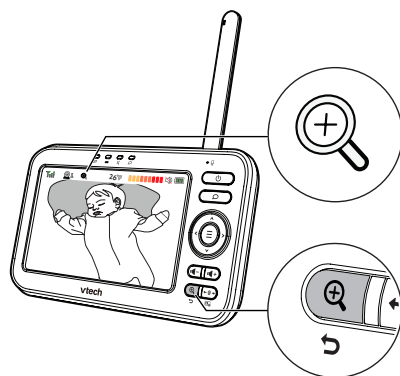
## Ajustar el volumen del altavoz

Pulse para ajustar el volumen del altavoz de la unidad parental. Determina el volumen del sonido que le transmite la unidad para el bebé.



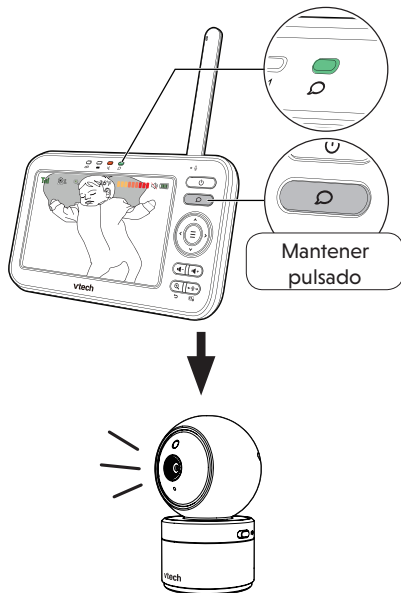
## Zoom

Pulse para acercarse o alejarse.



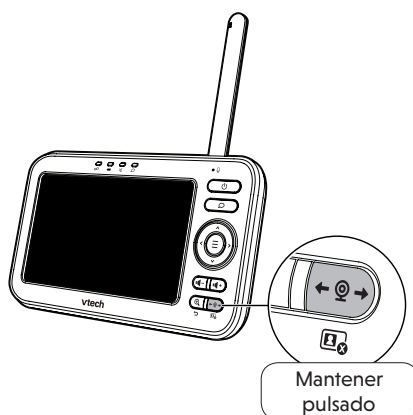
## Hablar a la unidad para el bebé

Mantenga pulsado para hablar a la unidad parental. Su voz se transmite a la unidad para el bebé. Suelte cuando termine de hablar y vuelva a escuchar a su bebé.



## Apagar la pantalla

Mantenga pulsado para apagar la pantalla. Todavía se pueden escuchar los sonidos de la unidad para el bebé.



### ☀ CONSEJO

- Pulse cualquier tecla de la unidad parental para volver a encender la pantalla.

# ICONOS DE LA UNIDAD PARENTAL

## Iconos del menú principal

| Menú principal | Submenú  |
|----------------|--|
|                | <ul style="list-style-type: none"> <li>• Ajustar el brillo de la pantalla LCD de la unidad parental.</li> </ul>  |
|                | <p><b>Volumen del altavoz de la unidad para el bebé</b></p> <ul style="list-style-type: none"> <li>• Ajustar el volumen del altavoz de la unidad para el bebé.</li> </ul>  |
|                | <b>Reproducir/detener canción de cuna</b><br><b>≈1 ≈2 ≈3 ≈4</b> <ul style="list-style-type: none"> <li>• Selecciona uno de los sonidos relajantes, o ruido blanco.</li> </ul> <b>1 2 3 4 5</b> <ul style="list-style-type: none"> <li>• Selecciona una de las cinco melodías.</li> </ul> <ul style="list-style-type: none"> <li>• Reproduce todas las melodías.</li> </ul> <b>60min 45min 30min 15min</b> <ul style="list-style-type: none"> <li>• Ajuste del temporizador para que deje de sonar la melodía o el sonido relajante seleccionado.</li> </ul>  |
|                | <b>ON / OFF Encender/apagar la luz nocturna</b><br><b>1 2 3 4 5 6 7</b> <ul style="list-style-type: none"> <li>• Selecciona uno de los 7 colores de luz nocturna..</li> </ul> <ul style="list-style-type: none"> <li>• Selecciona que la luz nocturna pase por los 7 colores automáticamente.</li> </ul> <b>60min 30min 15min OFF</b> <ul style="list-style-type: none"> <li>• Ajuste del temporizador para apagar la luz nocturna..</li> </ul> <b>AUTO</b> <ul style="list-style-type: none"> <li>• Configure la luz nocturna para que se encienda automáticamente cuando la unidad para el bebé detecte un sonido. Se volverá a apagar si no se detecta ningún sonido tras 15 segundos. Puede ajustar <b>el nivel de sensibilidad VOX</b> para detectar únicamente sonidos que superen ciertos niveles. Consulte <b>Sensibilidad y activación del sonido</b>.</li> </ul> |



# ICONOS DE LA UNIDAD PARENTAL



## ON / OFF

- Activa y desactiva la función de luz nocturna adaptable. Cuando esta función está activada, la unidad para el bebé detecta la luz ambiental. Si la habitación está iluminada, la luz nocturna se ajusta a su intensidad; si la habitación está en penumbra, la luz nocturna se ajustará para reducir su intensidad.

## Ajuste de alertas



- Activa/desactiva el tono de alerta de batería baja.



- Activa/desactiva el tono de alerta de pérdida de vinculación.



- Activa/desactiva el tono de alerta de confirmación.

## Luz de proyección



### ON / OFF

Enciende y apaga la luz de proyección.



**60min 45min 30min 15min**

- Ajusta el temporizador para apagar la luz de proyección.



### AUTO

- Enciende automáticamente la luz de proyección cuando la unidad para el bebé detecta sonido. Se volverá a apagar si no se detecta ningún sonido tras 15 minutos. Consulte la sección Sensibilidad acústica y activación del sonido para obtener más información.

## Temperatura



### ON/OFF

- Activa/desactiva el tono de alerta de temperatura.
- Configura la unidad parental para que emita un pitido cada vez que la temperatura de la habitación detectada por la unidad para el bebé esté fuera del rango de temperatura establecido.



- Ajuste de la temperatura mínima.



- Ajuste de la temperatura máxima.

°F °C

- Ajuste de la visualización de la temperatura en (°F) o Centígrados (°C).

## Activación de sonido - pantalla y audio



### ON / OFF Encender/apagar la activación del sonido

- Ajuste del encendido o apagado de la activación del sonido.
- Cuando está encendido mientras la pantalla de la unidad parental permanece apagada para ahorrar energía, una vez que se detecta un sonido, la pantalla de la unidad parental y el altavoz se encienden automáticamente. La unidad parental se volverá a apagar si no se detecta ningún sonido tras 50 segundos.

#### NOTA

- Cuando la pantalla de la unidad parental está apagada y recibe alertas, por ejemplo, de pérdida de vinculación entre la unidad parental y la del bebé, o de batería baja, la pantalla de la unidad parental y el altavoz se encienden durante 10 segundos.

## Sensibilidad VOX (alerta activada por voz)



- Puede ajustar el nivel de sensibilidad VOX para activar la pantalla de la unidad parental cuando la unidad para el bebé detecte sonidos que superen ciertos niveles. Consulte **Sensibilidad y activación del sonido**.

## Iconos de estado



### Estado de conexión

- - Intensidad fuerte de la señal.
- - Intensidad moderada de la señal.
- - Intensidad baja de la señal.
- - Intensidad débil de la señal.



### Estado actual de visualización

**Visión nocturna** - Encendido



**Zoom** - Encendido



**Canción de cuna** - Encendido



**Luz nocturna** - Encendido



**Luz nocturna** - Encendido automático



- El icono de color indica que la luz nocturna está en encendido automático, y está encendida por la activación de sonido.
- El icono gris indica que la luz nocturna está actualmente apagada, pero está configurada para encenderse automáticamente. La luz nocturna se encenderá cuando la unidad para el bebé detecte el sonido.

## Iconos de estado



### Luz de proyección encendida



### Luz de proyección (encendido automático)

- El icono de color indica que la luz de proyección está ajustada en encendido automático, y que se enciende mediante la activación del sonido.
- El icono gris indica que la luz de proyección está apagada, pero está configurada para encenderse automáticamente. La luz de proyección se encenderá cuando la unidad para el bebé detecte un sonido.

°F or °C

### Temperatura en tiempo real

- Temperatura en tiempo real detectada por la unidad para el bebé en Fahrenheit (°F) o Centígrados (°C) (por ejemplo, **57°F** o **14°C**).

### Indicador de 9 niveles de sonido

- indica un nivel de sonido bajo detectado por la unidad para el bebé.
- indica un nivel de sonido moderado detectado por la unidad para el bebé.
- indica un nivel de sonido alto detectado por la unidad para el bebé.

## ICONS DE LA UNIDAD PARENTAL (CONTINUACIÓN)

### Iconos de estado



**Tono de alerta de temperatura**  
- Encendido



#### Alerta de silencio

- Aparece cuando el volumen del altavoz de la unidad parental está desactivado.
- Se muestra cuando la unidad parental está hablando con la unidad para el bebé.



#### Estado de la batería

- se ilumina cuando la batería se está cargando.
- indica que la batería está completamente cargada.
- indica que la batería está baja y necesita cargarse.



**Volumen altoparlante** - visualizza il livello del volume dell'altoparlante dell'unità genitore durante la regolazione.

### Iconos de alerta



- Se muestra cuando la batería de la unidad parental está baja y necesita cargarse.



- Aparece cuando se pierde la conexión entre la unidad parental y la unidad para el bebé.



- La unidad para el bebé detecta que la temperatura alcanza o supera el máximo establecido.



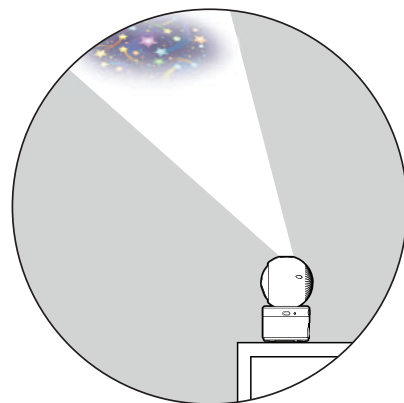
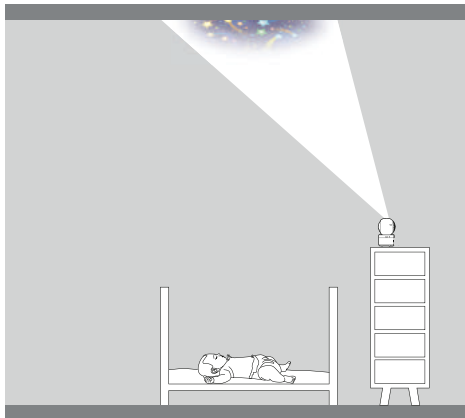
- La unidad para el bebé detecta que la temperatura es igual o inferior al mínimo establecido.

## LUZ DE PROYECCIÓN

### CONSEJO

- La luz de proyección situada en la parte superior de la unidad para el bebé proyecta una escena de luz nocturna suave y estrellada en el techo con un ángulo de inclinación. Ajuste la posición de la unidad para el bebé con la luz de proyección para ayudar a calmar a su bebé y que duerma. Para un rendimiento óptimo, coloque la unidad para el bebé en posición vertical.

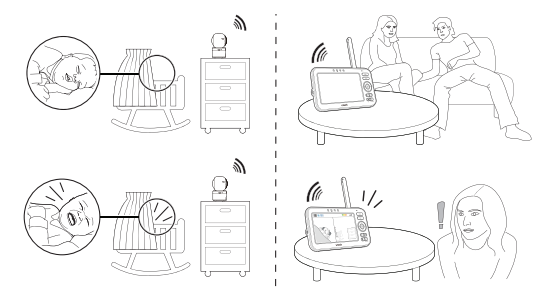
Posición óptima



## SENSIBILIDAD Y ACTIVACIÓN DEL SONIDO

### Pantalla con sonido activado y audio

La pantalla de la unidad parental se apaga automáticamente para ahorrar energía cuando la unidad para el bebé no detecta ningún sonido. Si la activación de sonido está encendida, cuando la unidad para el bebé detecta sonidos más fuertes que el nivel de sensibilidad sonora elegido, la pantalla de la unidad parental se enciende automáticamente. La unidad parental se volverá a apagar si no se detecta ningún sonido tras 50 segundos.



### NOTA

- Si ha silenciado el altavoz de la unidad parental, solo se encenderá la pantalla de la unidad parental cuando se detecte un sonido.

### Ajuste de la sensibilidad de detección de sonido

Al activar **la activación por sonido**, puede ajustar la **sensibilidad VOX** de la unidad para el bebé para detectar sonidos y encender la unidad parental cuando su pantalla esté apagada o atenuada.

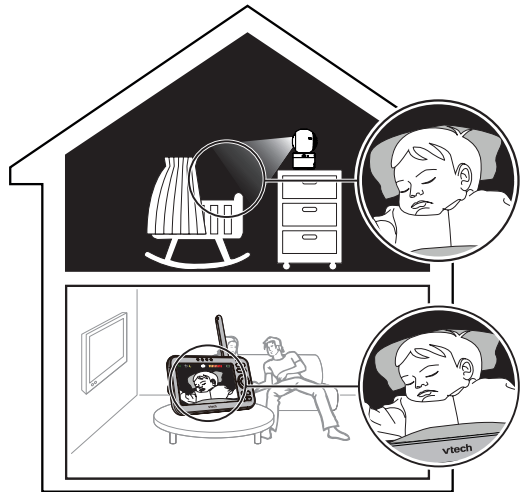
Cuando la unidad para el bebé detecta sonidos que superan ciertos niveles, la pantalla de la unidad parental se enciende automáticamente y la unidad para el bebé transmite los sonidos detectados a la unidad parental. Así podrá ver y oír a su bebé.


Si ha activado la función de **encendido automático de la luz nocturna**, se encenderá automáticamente para calmar a su bebé.

Si desactiva **la activación del sonido**, escuchará los sonidos de la unidad para el bebé todo el tiempo, incluso cuando la pantalla de la unidad parental esté apagada.

| Nivel de sensibilidad VOX | Nivel 5 (Más alto)  | Nivel 4 (Alto)  | Nivel 3 (Medio)   | Nivel 2 (Bajo)  | Nivel 1 (Más bajo)  |
|---------------------------|---|---|---|---|---|
| Descripción               | (Configuración por defecto)<br>La pantalla y el altavoz de la unidad parental se encienden para sonidos muy leves, incluidos los ruidos de fondo de la habitación del bebé. | El altavoz y la pantalla de la unidad parental se encienden cuando el bebé balbucea suavemente y emite sonidos más fuertes. La unidad parental permanece en silencio cuando el bebé duerme profundamente. | El altavoz y la pantalla de la unidad parental se encienden cuando el bebé balbucea con más fuerza y emite sonidos de un mayor volumen. La unidad parental permanece en silencio cuando el bebé emite sonidos suaves. | El altavoz y la pantalla de la unidad parental se encienden cuando el bebé llora y emite sonidos más fuertes. La unidad parental permanece en silencio cuando el bebé emite sonidos suaves. | El altavoz y la pantalla de la unidad parental se encienden únicamente cuando el bebé llora con fuerza y emite sonidos de un mayor volumen. La unidad parental permanece en silencio cuando el bebé emite sonidos suaves. |

## VIÓN NOCTURNA



El monitor para bebés dispone de LED de infrarrojos que permiten ver al bebé con claridad por la noche o en una habitación oscura. Cuando la unidad para el bebé que se está viendo detecta niveles bajos de luz, los LED infrarrojos se encienden automáticamente. Las imágenes de la unidad para el bebé son en blanco y negro y  aparece en la pantalla.

### NOTAS

- Es normal ver un breve resplandor blanco en la pantalla de la unidad parental mientras la unidad para el bebé se adapta al entorno oscuro.
- Cuando los LED infrarrojos están encendidos, es normal que las imágenes sean en blanco y negro.

### CONSEJO

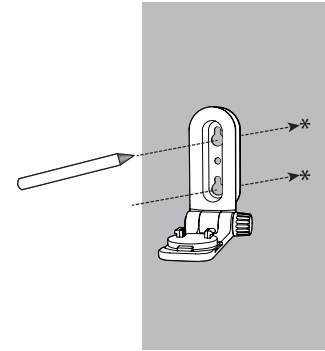
- Dependiendo del entorno y de otros factores de interferencia, como la iluminación, los objetos, los colores y los fondos, la calidad del vídeo puede variar. Ajuste el ángulo de la unidad para el bebé o coloque la unidad del bebé a una mayor altura para evitar deslumbramientos y pantallas borrosas.

## MONTAR LA UNIDAD PARA EL BEBÉ (OPCIONAL)

### NOTAS

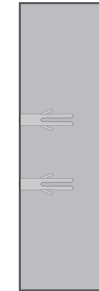
- Compruebe la intensidad de la recepción y el ángulo de la cámara antes de perforar los agujeros.
- Los tipos de tornillos y tacos que se necesitan dependen de la composición de la pared. Puede que necesite comprar tornillos y tacos por separado para montar las unidades para el bebé.

1. Coloque el soporte mural sobre una pared y luego use un lápiz para marcar dos agujeros en paralelo. Retire el soporte mural y perforo dos agujeros en la pared (broca de 5,5 mm).

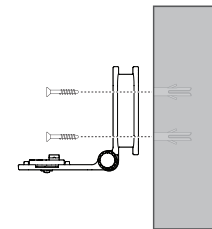


2. Si perfora los agujeros en un montante, vaya al paso 3.

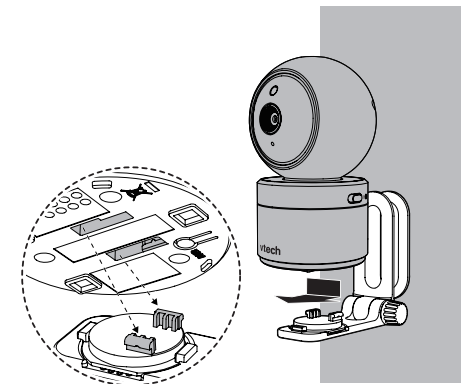
- Si perfora los agujeros en un objeto que no sea un montante, inserte los tacos de pared en los agujeros. Golpee suavemente los extremos con un martillo hasta que los tacos queden a ras de la pared.



3. Alinee el soporte mural y los tornillos con los agujeros de la pared, según se muestra. Apriete primero el tornillo del orificio central para fijar la posición del soporte mural. Puede apretar el otro tornillo en el orificio superior.

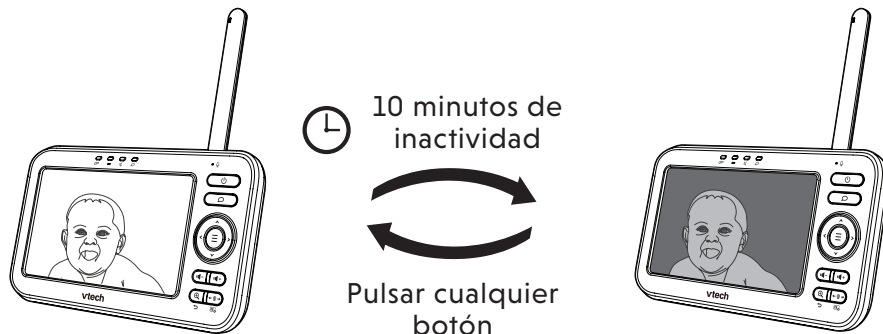


4. Coloque la unidad para el bebé en el soporte mural y deslícela hacia adelante hasta que se bloquee en su posición. Conecte el adaptador de corriente a la unidad para el bebé.



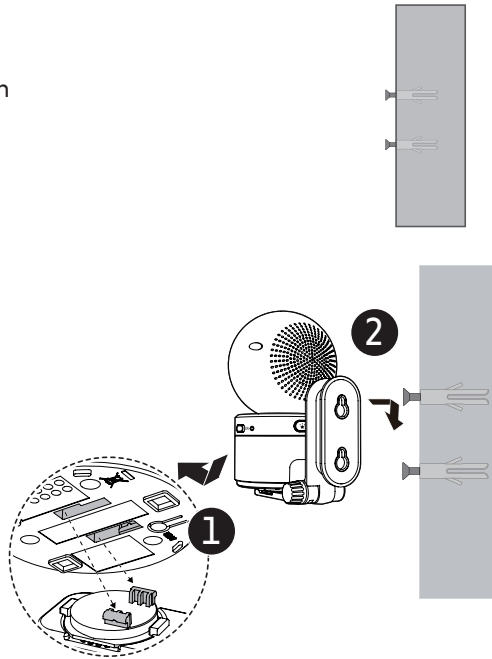
## MODO DE ATENUACIÓN

La pantalla de la unidad parental se atenuará para ahorrar energía tras 10 minutos de inactividad, en los que no se haya pulsado ninguna tecla ni se haya recibido ninguna alerta de la unidad del bebé.

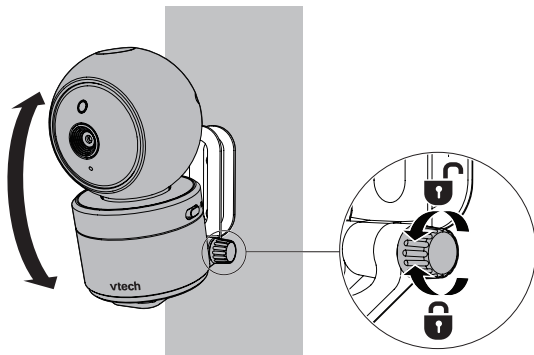


3. Inserte los tornillos en los orificios y apriételos hasta que solo queden expuestos 6,5 mm de los tornillos.

4. Coloque la unidad para el bebé en el soporte mural y deslícela hacia adelante hasta que se bloquee en su posición. Alinee los orificios del soporte mural con los tornillos de la pared y deslice el soporte mural hacia abajo hasta que encaje en su sitio.



5. Puede maximizar los ángulos de visión de su unidad para el bebé inclinando el soporte de pared. Sujete la unidad para el bebé y gire el pomo en sentido contrario a las agujas del reloj. Esto aflojará la junta del soporte de montaje en pared. Inclíne la unidad para el bebé hacia arriba o hacia abajo para ajustarla al ángulo que prefiera. A continuación, gire el pomo en el sentido de las agujas del reloj para apretar la articulación y fijar el ángulo.



## CUIDADO GENERAL DEL PRODUCTO

- Para que este producto siga funcionando correctamente y tenga un buen aspecto, siga estas pautas:
- Evite ponerlo cerca de aparatos de calefacción y dispositivos que generen ruido eléctrico (por ejemplo, motores o lámparas fluorescentes).
  - NO lo exponga a la luz solar directa ni a la humedad.
  - Evite que el producto se caiga o se trate con brusquedad.
  - Límpielo con un paño húmedo.
  - NO sumerja la unidad parental ni la unidad para el bebé en agua y no las limpie bajo el grifo.
  - NO utilice limpiadores líquidos o en aerosol.
  - Asegúrese de que la unidad parental y la unidad para el bebé están secas antes de volver a conectarlas a la red eléctrica.

## ALMACENAMIENTO

Si no va a utilizar el monitor para bebés durante un tiempo, guarde la unidad parental, la unidad para el bebé y los adaptadores en un lugar fresco y seco.

## SUPERVISIÓN ADULTA

- Este monitor para bebés solamente debe ser utilizado por adultos.
- No coloque la unidad para el bebé dentro de la cuna o corralito.
- Para garantizar la seguridad de sus hijos, no permita que toquen o jueguen con el monitor para bebés y sus accesorios. ESTO NO ES UN JUGUETE.

## ESPECIFICACIONES TÉCNICAS

|                           |  |
|---------------------------|--|
| Control de frecuencia     | Sintetizador PLL controlado por cristal  |
| Frecuencia de transmisión | Unidad para el bebé: 2405-2475 MHz<br>Unidad parental: 2405-2475 MHz<br>Potencia máxima utilizada por el transmisor: 0,1 W (100 mW)  |
| Canales                   | 32   |
| LCD                       | LCD en color de 5" (QVGA 480 x 272 píxeles)  |
| Alcance efectivo nominal  | El alcance de funcionamiento real puede variar según las condiciones ambientales en el momento de su uso.  |
| Requisitos de energía     | Unidad parental: Batería de ion de litio de 3,8 V<br>Adaptador de corriente de la unidad para el bebé:<br>Salida: 5 V CC a 1A<br>Adaptador de corriente de la unidad parental:<br>Salida: 5 V CC a 1 A |

# SERVICIO DE ATENCIÓN AL CLIENTE Y GARANTÍA DE LOS PRODUCTOS



## SERVICIO DE ATENCIÓN AL CLIENTE Y GARANTÍA

### IMPORTANT

Conserve el recibo como prueba de compra.

### Atención al cliente

Usted es propietario de un producto de calidad de VTech®, fabricado con esmero y bajo estrictos controles de calidad.

La garantía no cubre lo siguiente:

- Daños en el producto debidos a un uso inadecuado.
- Reparaciones o modificaciones no autorizadas del producto.
- Daños causados por el incumplimiento de las instrucciones de uso.
- Baterías defectuosas o daños causados por fugas de la batería.
- Daños causados por un embalaje defectuoso o ineficaz utilizado en el transporte o daños causados durante el transporte.
- Daños en la pantalla LCD.

Si tiene alguna duda, póngase en contacto con nuestro Servicio de Atención al Cliente:

[www.vtechphones.eu](http://www.vtechphones.eu)

# DECLARACIÓN DE CONFORMIDAD

Este producto está destinado a ser utilizado en Europa.

Este equipo cumple con los requisitos esenciales de la Directiva de Equipos radioeléctricos y equipos terminales de telecomunicaciones 2014/53/UE.

VTech Telecommunications Ltd. declara por la presente que este monitor de vídeo digital VM5463 cumple con los requisitos esenciales y otras disposiciones pertinentes de la Directiva 2014/53/UE.

La declaración de conformidad del VM5463 está disponible en [www.vtech.com/rfte-directive](http://www.vtech.com/rfte-directive).



## ELIMINAR LAS BATERÍAS Y EL PRODUCTO



Los símbolos del contenedor de basura tachados en los productos y las pilas, o en sus respectivos envases, indican que no deben eliminarse en la basura doméstica, ya que contienen sustancias que pueden ser perjudiciales para el medio ambiente y la salud humana.



Los símbolos químicos Hg, Cd o Pb, cuando están marcados, indican que la batería contiene un valor de mercurio (Hg), cadmio (Cd) o plomo (Pb) superior al establecido en la Directiva sobre baterías (2006/66/CE).

La barra sólida indica que el producto se comercializó después del 13 de agosto de 2005.

Ayude a proteger el medio ambiente desechando el producto o las pilas de forma responsable.

### Créditos:

El archivo de sonido de Ruido de fondo fue creado por Caroline Ford, y se utiliza bajo la licencia Creative Commons. El archivo de sonido de Ruido de corriente fue creado por Caroline Ford, y se utiliza bajo la licencia Creative Commons.

El archivo de sonido Grillos en la noche fue creado por Mike Koenig, y se utiliza bajo la licencia Creative Commons. The archivo de sonido Latido de corazón fue creado por Zarabadeu, y se utiliza bajo la licencia Creative Commons.

Fabricante: VTech Telecommunications Ltd.  
23/F., Tai Ping Industrial Centre, Block 1, 57 Ting kok Road, Tai Po, Hong Kong.  
Importador: Snom Technology GmbH.  
Aroser Allee 66, 13407, Berlin.



Las especificaciones están sujetas a cambios sin previo aviso.  
© 2023 VTech Telecommunications Ltd.  
Todos los derechos reservados. 06/23. VM5463\_SNOM\_ES\_QSG\_V1



## Moniteur vidéo pour bébé avec écran de 5 pouces et caméra panoramique et inclinable



# vtech®

## Guide de démarrage rapide

## INFORMATIONS POUR VOTRE SÉCURITÉ

La plaque signalétique du produit est située sous la base de l'unité Bébé.

Lors de l'utilisation des unités, les précautions de sécurité élémentaires doivent toujours être respectées afin de réduire les risques de feu, de choc électrique et de blessures ainsi que les instructions suivantes :

1. Respecter les instructions du présent manuel d'utilisation ainsi que les informations marquées sur le produit.
2. La configuration du produit doit être effectuée par un adulte.
3. **Attention** : ne pas installer l'unité Bébé à une hauteur supérieure à deux mètres.
4. Ce produit ne doit pas se substituer à la supervision d'un adulte. La supervision de l'enfant est la responsabilité du parent ou de l'adulte en charge. Bien que ce produit soit conçu avec des matériaux résistants, il pourrait cesser de fonctionner pour une raison quelconque. Vous ne devez pas supposer qu'il continuera de fonctionner durant une certaine période. De plus, ce produit n'est pas un dispositif médical. Il ne doit pas se substituer à la supervision d'un adulte et ne doit pas être utilisé en tant que telle. Ce produit est destiné à vous assister dans la supervision de votre enfant.
5. Ne pas utiliser ce produit à proximité de zones humides telles que la baignoire, la douche, l'évier, la machine à laver ou encore la piscine. Lui éviter tout contact avec de l'eau.
6. **IMPORTANT** : utiliser uniquement la batterie incluse. Il existe un risque d'explosion si un autre type de batterie est utilisé pour l'unité Parents. La batterie ne doit pas être soumise à des températures extrêmes ni à une faible pression atmosphérique durant l'utilisation, le stockage et le transport. Jeter la batterie en la plaçant dans un four chaud, en la faisant brûler ou en la détruisant ou en la coupant avec un appareil, peut provoquer une explosion. Laisser la batterie dans un environnement aux températures extrêmement chaudes, peut provoquer une explosion ou la fuite d'un liquide ou gaz inflammable. Une batterie sujette à une faible pression atmosphérique peut provoquer une explosion ou la fuite d'un liquide ou gaz inflammable. Suivre les instructions pour trier les batteries usagées.
7. Utiliser uniquement les adaptateurs inclus avec le produit. L'utilisation d'un autre adaptateur avec une mauvaise polarité ou un mauvais voltage pourrait endommager le produit.
8. Utiliser uniquement les adaptateurs et batterie mentionnés ci-dessous :



Utiliser uniquement les adaptateurs secteur inclus :

Sortie de l'unité parents : 5 V CC 1 A

VTech Telecommunications Ltd

Modèle : VT05EEU05100

Sortie de l'unité bébé : 5 V CC 1A.

VTech Telecommunications Ltd.

Modèle : VT05EEU05100



Utiliser uniquement la batterie pré-installée :

Batterie Li-ion, 3,8V 2100mAh

Zhongshan Tianmao Battery Co., Ltd.

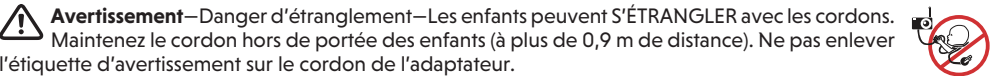
Numéro de modèle : BP1763

9. Les adaptateurs secteur sont conçus pour une orientation appropriée en position de montage verticale ou de plancher. Les broches ne sont pas conçues pour maintenir l'adaptateur s'il est branché au plafond, sous une table ou sous une armoire.
10. Pour les produits nécessitant d'être branchés sur secteur, l'adaptateur secteur doit être installé près de l'unité et doit être facilement accessible.
11. Débrancher le produit avant nettoyage. Utiliser un linge légèrement humide. Ne pas utiliser de solvants ni de produits corrosifs ni d'aérosols.
12. Ne pas modifier les adaptateurs ou les câbles d'alimentation fournis afin d'éviter tout risque d'électrocution.
13. Ne rien poser sur les câbles de branchement. Ne pas brancher le produit dans un lieu de passage où les câbles pourraient être arrachés ou piétinés.
14. Ce produit doit être utilisé uniquement avec les puissances électriques indiquées sur le produit. En cas d'incertitude sur la tension d'alimentation électrique de la maison, consulter un électricien ou la compagnie d'électricité.
15. Ne pas brancher de multiples équipements à une même source d'alimentation. Ne pas utiliser le produit avec une rallonge électrique.

16. Ne pas poser cet appareil sur une table, étagère ou un socle instable ni sur aucune autre surface instable.
17. Placer le produit dans des lieux suffisamment ventilés. Les trous situés sur le produit permettent une bonne ventilation des circuits internes. Ne pas les obstruer. Ne pas placer le produit sur du tissu (lit, canapé, tapis, etc.) pour éviter les surchauffes. Ne pas placer le produit sur un radiateur ou tout autre appareil de chauffage ni même à proximité.
18. Ne jamais introduire d'objets dans les trous situés sur le produit afin d'éviter tout risque d'électrocution ou de court-circuit. Ne jamais renverser de liquide sur le produit.
19. Pour éviter tout risque d'électrocution, ne pas démonter ou retirer des pièces du produit autres que les compartiment et socle mentionnés dans le manuel. En cas de démontage, vous vous exposeriez à des risques d'électrocution ou de blessure. Emmener le produit au service habilité le plus proche. Des risques d'électrocution et de court-circuit peuvent aussi survenir une fois le produit réassemblé.
20. Vérifier la bonne réception du son à chaque utilisation du produit ainsi qu'à chaque déplacement des unités.
21. Vérifier régulièrement l'état du produit et son bon fonctionnement.
22. Il existe un très faible risque de perte de confidentialité avec certains appareils électroniques (autres écoute-bébés, téléphones sans fil, etc.). **Pour l'éviter, s'assurer que le produit n'a jamais été utilisé avant l'achat, réinitialiser l'unité de façon périodique, éteindre l'écoute-bébé quand il n'est pas en cours d'utilisation.**
23. Ce produit n'est pas un jouet. Ne pas laisser un enfant jouer avec le produit afin d'éviter tout dysfonctionnement ou risque d'incident.
24. Ce produit ne doit pas être utilisé par un enfant ou par toute autre personne n'ayant pas les compétences nécessaires à sa bonne utilisation.

### CONSERVER CES INSTRUCTIONS

#### Attention

1. Utiliser et stocker le produit dans une pièce dont la température est comprise entre 0 et 40 degrés.
2. Ne pas exposer le produit de manière prolongée à une source de froid trop intense ou aux rayons directs du soleil.
3. Ne pas placer le produit à proximité d'une source de chaleur, dans une pièce humide ou très poussiéreuse.
4.  **Avertissement**—Danger d'étranglement—Les enfants peuvent S'ÉTRANGLER avec les cordons. Maintenez le cordon hors de portée des enfants (à plus de 0,9 m de distance). Ne pas enlever l'étiquette d'avertissement sur le cordon de l'adaptateur.
5. Ne jamais placer l'unité Bébé dans le berceau ou dans le parc. Ne jamais couvrir l'unité Bébé ou l'unité Parents.
6. Il existe un très faible risque d'interférences avec certains appareils électroniques. Éviter de placer le babyphone à proximité de ce type de produits.

#### Précautions pour les utilisateurs de stimulateurs cardiaques implantés

Stimulateurs cardiaques (s'applique uniquement aux appareils numériques sans fil) :  
 Wireless Technology Research, LLC (WTR), une entité de recherche indépendante, a mené une évaluation multidisciplinaire des interférences entre les dispositifs sans fil portables et les stimulateurs cardiaques implantés. Soutenue par la Food and Drug Administration américaine, la WTR recommande aux médecins :

#### Patients porteurs d'un stimulateur cardiaque

- Il faut garder les appareils sans fil à au moins six pouces du stimulateur cardiaque.
- Il ne faut PAS placer d'appareils sans fil directement sur le stimulateur cardiaque, par exemple dans une poche de poitrine, lorsque celui-ci est allumé.

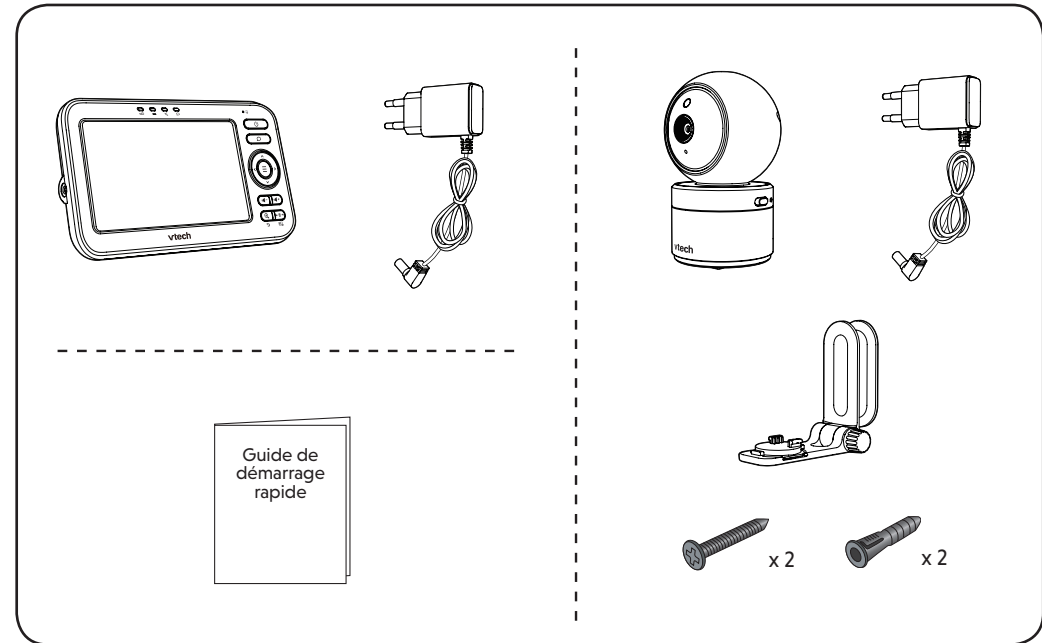
L'évaluation de WTR n'a identifié aucun risque pour les personnes avec des stimulateurs cardiaques provenant d'autres personnes utilisant des appareils sans fil.

#### Champs électromagnétiques (CEM)

Ce produit de VTech est conforme à toutes les normes relatives aux champs électromagnétiques (CEM). S'il est manipulé correctement et conformément aux instructions de ce manuel d'utilisation, le produit peut être utilisé en toute sécurité sur la base des preuves scientifiques disponibles aujourd'hui.



## CONTENU DE LA BOÎTE

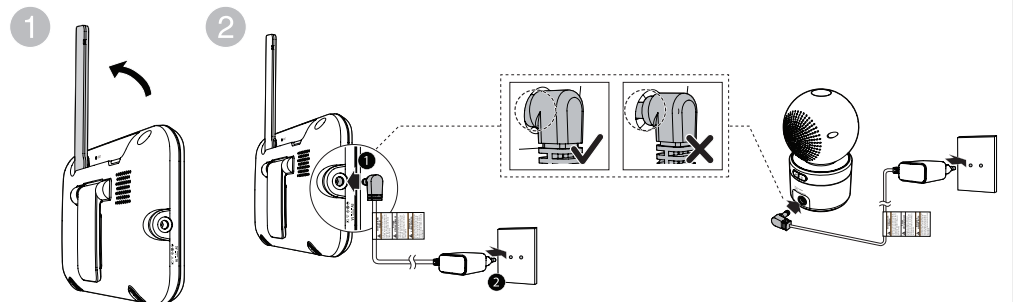


## 1

## INSTALLATION DU BABYPHONE

#### REMARQUES

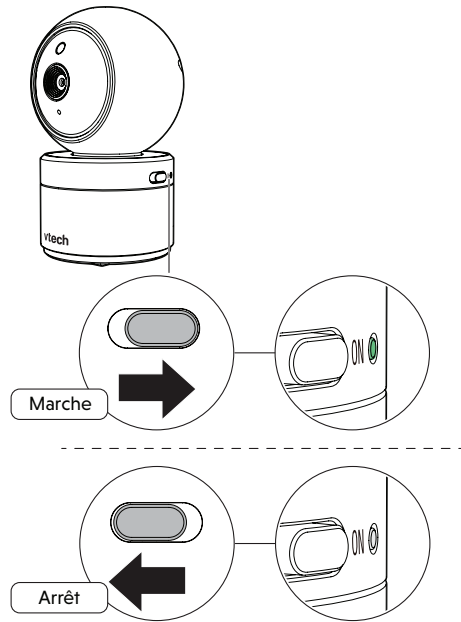
- La batterie rechargeable de l'unité Parents est pré-installée.
- Utiliser uniquement les adaptateurs inclus.
- S'assurer que la prise de courant utilisée n'est pas contrôlée par un interrupteur mural.
- Les adaptateurs doivent être branchés à des prises murales ou au sol. Ils ne sont pas conçus pour être branchés vers le haut, sous un meuble, au plafond ou dans un placard.
- S'assurer que les deux unités ainsi que les adaptateurs et leurs cordons d'alimentation ne sont pas à la portée des enfants.



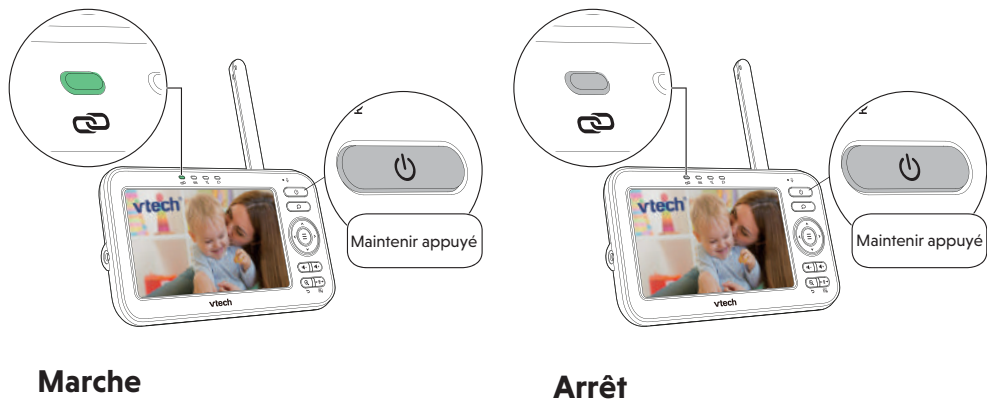


## 2 ALLUMER/ÉTEINDRE LE BABYPHONE

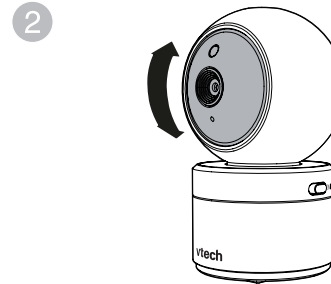
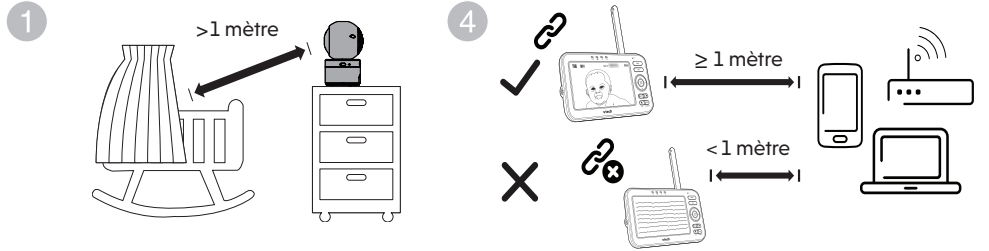
- 1 Déplacer le  **curseur Marche/Arrêt**  pour allumer ou éteindre l'unité Bébé comme illustré ci-dessous.



- 2 Maintenir appuyé le bouton ci-dessous pour allumer ou éteindre l'unité Parents.

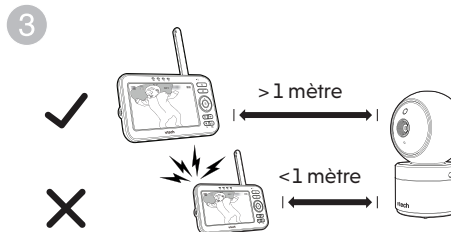


## 3 EMPLACEMENT DU BABYPHONE



### REMARQUE


- Pour éviter toute interférence avec d'autres produits électroniques, placer l'unité Bébé à au moins un mètre d'équipements tels que les routeurs sans fil, les micro-ondes, les téléphones portables ou ordinateurs.



### ATTENTION

- Par défaut, le volume du haut-parleur de l'unité Parents est au niveau 4. Le niveau maximal est le niveau 5. Si vous entendez un son aigu :
- S'assurer que l'unité Parents est placée à plus d'un mètre de l'unité Bébé OU
- Baisser le volume du haut-parleur de l'unité Parents.

## 4 DÉMARRAGE

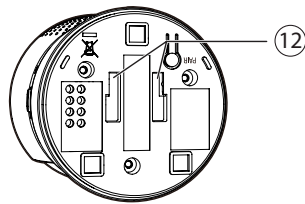
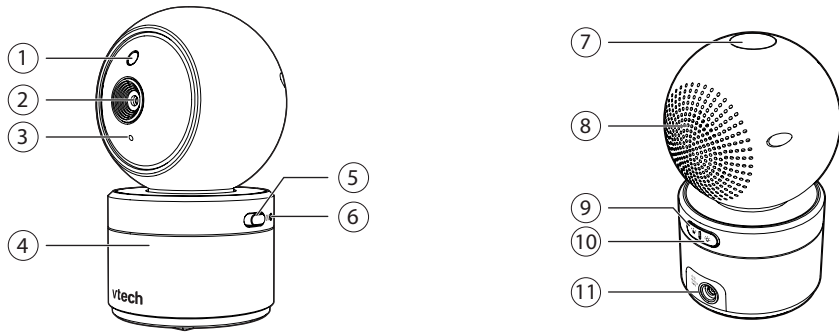
Une fois que les deux unités sont mises en marche, l'écran de l'unité Parents affiche l'image retransmise par l'unité Bébé. L'indicateur lumineux de jumelage  s'allume.

L'indicateur lumineux de mise en marche de l'unité Bébé s'allume.





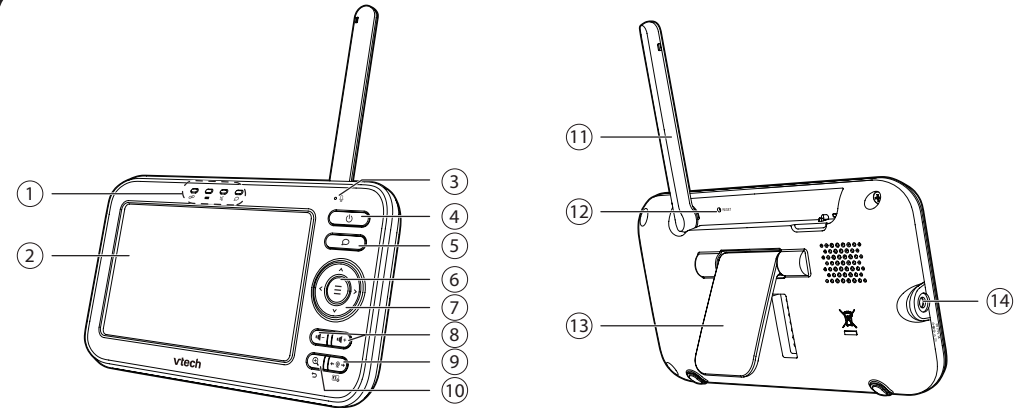
## FONCTIONS DE L'UNITÉ BÉBÉ



- |   |  |
|---|--|
| 1 <b>LED infrarouge</b>   | 7 <b>Projection étoilée</b>                      |
| 2 <b>Caméra</b>   | 8 <b>Haut-parleur</b>                            |
| 3 <b>Microphone</b>   | 9 <b>★ Marche/Arrêt de la projection étoilée</b> |
| 4 <b>Veilleuse</b>  | 10 <b>☀ Marche/Arrêt de la veilleuse</b>         |
| 5 <b>Curseur Marche/Arrêt</b>   | 11 <b>Prise d'alimentation</b>                   |
| 6 <b>Indicateur lumineux de marche</b>  | 12 <b>Jumelage</b>                               |
| <ul style="list-style-type: none"> <li>• Allumé lorsque l'unité Bébé est en marche et jumelée à l'unité Parents.</li> <li>• Clignote lorsque l'unité Bébé n'est pas en cours de visualisation ou lorsque le lien avec l'unité Parents est perdu.</li> </ul> | 13 <b>Fentes pour fixation murale</b>            |



## FONCTIONS DE L'UNITÉ PARENTS



- |                            |                                       |  |
|----------------------------|---------------------------------------|--|
| 1 <b>Témoins lumineux</b>  | 4 <b>Marche/Arrêt</b>                 | 9 <b>← @ → Retransmission des images par la caméra</b> |
| • Jumelage                 | 5 <b>Parler à Bébé</b>                | <b>☒ Marche/Arrêt de l'écran LCD</b>                   |
| • État de la batterie      | 6 <b>MENU/SÉLECTION</b>               | 10 <b>⊕ Zoom / ↻ Quitter</b>                           |
| • Mode muet                | 7 <b>Flèches</b>                      | 11 <b>Antenne</b>                                      |
| • Communication à distance | 8 <b>🔊 - faible / 🔊 + Volume fort</b> | 12 <b>Réinitialisation</b>                             |
| 2 <b>Écran LCD</b>         |                                       | 13 <b>Support</b>                                      |
| 3 <b>Microphone</b>        |                                       | 14 <b>Prise d'alimentation</b>                         |



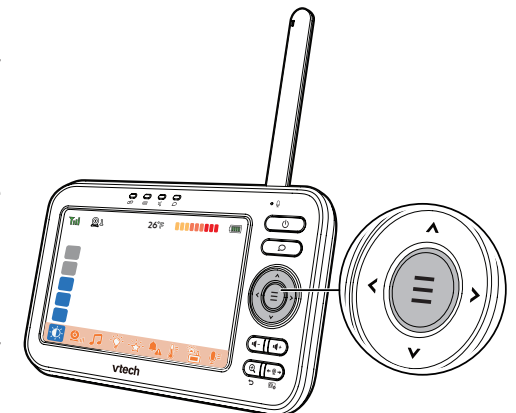
## FONCTIONNALITÉS DE BASE DE L'UNITÉ PARENTS

### Utiliser le menu

Appuyer sur le bouton **≡** pour accéder au menu, choisir un sous-menu, confirmer ou sauvegarder un réglage. Il est possible d'utiliser l'unité Parents pour d'autres réglages avancés ou opérations, comme activer/arrêter la berceuse en cours de l'unité Bébé ou ajuster le niveau de sensibilité de l'unité Bébé.

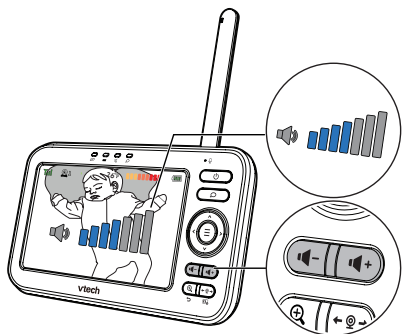
Une fois dans le menu :

- Appuyer sur le bouton **<** ou **>** pour choisir un sous-menu.
- Appuyer sur le bouton **≡** pour sélectionner un sous-menu ou valider un réglage.
- Appuyer sur le bouton **▲** ou **▼** pour faire défiler les sous-menus respectivement vers le haut ou vers le bas ou ajuster un réglage.
- Appuyer sur le bouton **<** pour revenir au menu principal sans modifier les réglages.
- Appuyer sur le bouton **⊕ / ↻** pour revenir à la retransmission des images.



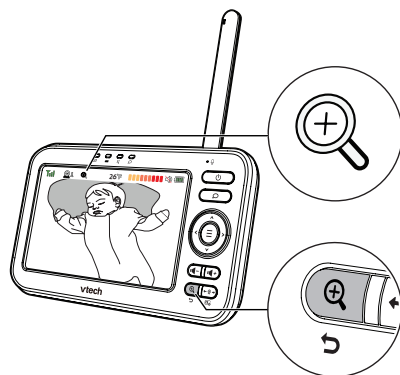
## Ajuster le volume sonore du haut-parleur

Appuyer sur / pour ajuster le volume sonore du haut-parleur de l'unité Parents.



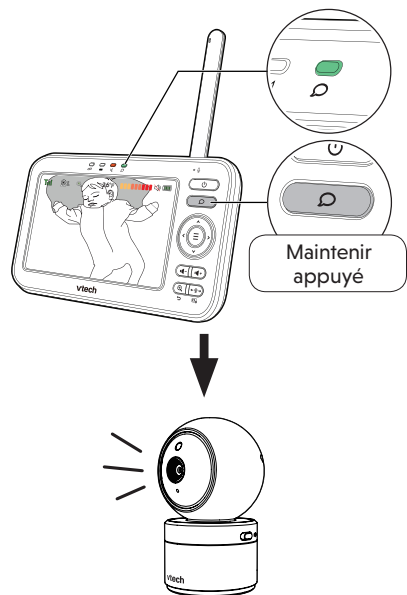
## Zoom

Appuyer sur le bouton pour zoomer ou dézoomer.



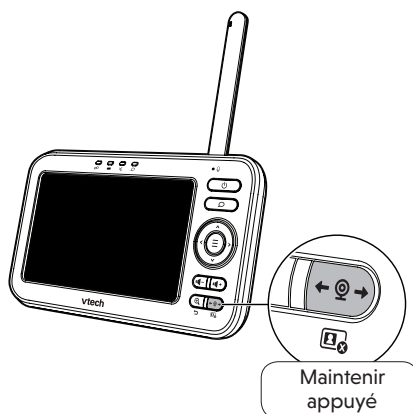
## Communication à distance

Maintenir appuyé le bouton puis parler dans le microphone de l'unité Parents. Votre voix est diffusée par l'unité Bébé. Relâcher le bouton pour arrêter la diffusion de la voix et écouter votre Bébé de nouveau.



## Son sans l'image

Maintenir appuyé le bouton pour éteindre l'écran de l'unité Parents sans éteindre complètement l'unité en elle-même. Il sera toujours possible d'entendre les sons provenant de l'unité Bébé.



## ☀ CONSEIL

- Appuyer sur n'importe quel bouton de l'unité Parents pour allumer de nouveau l'écran.

# ICÔNES DE CONTRÔLE DE L'UNITÉ PARENTS

## Icônes du menu principal

| Menu principal | Sous-menu |  |
|----------------|-----------|--|
|                |           | <ul style="list-style-type: none"> <li>Pour ajuster la luminosité de l'écran de l'unité Parents.</li> </ul>  |
|                |           | <b>Le volume sonore du haut-parleur de l'unité Bébé</b> <ul style="list-style-type: none"> <li>Il est possible d'ajuster le volume sonore du haut-parleur de l'unité Bébé.</li> </ul>  |
|                |           | <b>Marche/Arrêt d'une berceuse</b>   |
|                |           | <ul style="list-style-type: none"> <li>Choisir un son parmi les 4 sons apaisants proposés.</li> </ul>  |
|                |           | <ul style="list-style-type: none"> <li>Choisir une mélodie parmi les 5 proposées.</li> </ul>   |
|                |           | <ul style="list-style-type: none"> <li>Jouer toutes les mélodies.</li> </ul>   |
|                |           | <b>60min 45min 30min 15min OFF</b> <ul style="list-style-type: none"> <li>Programmer la minuterie pour décider d'arrêter la lecture de la mélodie ou du son apaisant sélectionné(e) à une période spécifique.</li> </ul>   |
|                |           | <b>Marche/Arrêt de la veilleuse</b>  |
|                |           | <ul style="list-style-type: none"> <li>Choisir une couleur de veilleuse parmi les 7 disponibles.</li> </ul>  |
|                |           | <ul style="list-style-type: none"> <li>Choisir le mode "veilleuse intelligente" pour voir les sept couleurs changer automatiquement.</li> </ul>  |
|                |           | <b>60min 30min 15min OFF</b> <ul style="list-style-type: none"> <li>Programmer la minuterie pour décider d'éteindre la veilleuse après un temps précis.</li> </ul>   |
|                |           | <ul style="list-style-type: none"> <li>Sélectionner le mode <b>AUTO</b> pour programmer la mise en marche de la veilleuse uniquement lorsque l'unité Bébé détecte un bruit en fonction du niveau de sensibilité prédéfini. Elle s'éteindra automatiquement après 15 minutes sans détecter un son. Voir la section <b>Sensibilité et signalisation sonores</b> du manuel pour ajuster la sensibilité et détecter les sons qui excèdent le niveau choisi.</li> </ul> |

# ICÔNES DE CONTRÔLE DE L'UNITÉ PARENTS

| Menu principal | Sous-menu |
|----------------|-----------|
|----------------|-----------|



## ON / OFF

- Il est possible d'activer ou désactiver la fonction de veilleuse intelligente. Lorsque cette fonction est activée, l'unité Bébé détecte la lumière ambiante. Si la pièce est lumineuse, la veilleuse s'ajuste pour être plus forte, si la pièce est sombre, la veilleuse s'ajuste pour être plus faible.

## La projection étoilée



### ON / OFF Marche/Arrêt de la projection étoilée



60min 45min 30min 15min

- Programmer la minuterie pour décider d'éteindre la projection étoilée après une période précise.



AUTO

- Sélectionner le mode **AUTO** pour programmer la mise en marche de la projection étoilée uniquement lorsque l'unité Bébé détecte un bruit en fonction du niveau de sensibilité prédéfini. Elle s'éteindra automatiquement après 15 minutes sans détecter un son. Voir la section **Sensibilité et signalisation sonores** du manuel pour ajuster la sensibilité et détecter les sons qui excèdent le niveau choisi.

## Réglages des alertes



- Programmer l'unité Parents pour bipier lorsque la batterie de celle-ci est faible et doit être rechargée.
- Programmer l'unité Parents pour bipier lorsque l'unité Bébé est hors de portée ou éteinte. Ce qui rompt ou empêche le jumelage entre les deux unités.
- Activer ou désactiver le son qui se déclenche après sélection d'une option dans les différents sous-menus.

## Température



°F °C

### ON / OFF

- Marche/Arrêt de l'alerte sonore de température.
- Programmer l'unité Parents pour bipier lorsque la température de la pièce détectée par l'unité Bébé est en dehors de la fourchette prédéfinie.
- Régler la température minimale.
- Régler la température maximale.
- Régler la température en Celsius (°C) ou en Fahrenheit (°F).

Menu principal

Sous-menu

## Mode Veille (mise en marche du haut-parleur et de l'écran par le son)



### ON / OFF Marche/Arrêt du mode Veille

- Il est possible de déclencher ou d'arrêter le **mode Veille**.
- Lorsque cette fonction est programmée sur **ON** et qu'aucun son n'est détecté par l'unité Bébé, l'unité Parents reste en **mode Veille** pour économiser de la batterie. Lorsqu'un son est détecté, l'écran et le haut-parleur de l'unité Parents se mettent en marche automatiquement pour voir et entendre Bébé. L'unité Parents s'éteindra encore une fois après 50 secondes si aucun son n'est émis.

#### Remarque

- Lorsque l'écran de l'unité Parents est éteint et reçoit des alertes pour par exemple signaler une perte de connexion entre les deux unités ou que la batterie est faible, l'écran et le haut-parleur de l'unité Parents se mettent en marche pendant 10 secondes.

## La sensibilité du microphone



- Il est possible de définir un niveau de sensibilité pour activer l'écran et le haut-parleur de l'unité Parents lorsque l'unité Bébé détecte les bruits qui excèdent le niveau prédéfini. Voir la section **Sensibilité et signalisation sonores**.

## Icônes d'état



### État de la connexion

- Très forte intensité du signal.
- Intensité du signal modérée.
- Intensité du signal faible.
- Très faible intensité du signal.



### Caméra sélectionnée

Vision nocturne - Activée.



Zoom - Activé.



Berceuse - Activée.



Veilleuse - Activée.



Veilleuse - AUTO

- Cette icône s'affiche en couleur lorsque la veilleuse est déjà allumée et que le mode **AUTO** est activé. La veilleuse est contrôlée par le son que l'unité Bébé détecte dans la pièce.
- Cette icône est grisée lorsque la veilleuse est actuellement éteinte mais que le mode **AUTO** est activé. Lorsque l'unité Bébé détecte un son dans la pièce en fonction du niveau de sensibilité choisi, la veilleuse s'allume automatiquement.

## Icônes d'état



Projection étoilée - Activée.



Projection étoilée - AUTO

- Cette icône s'affiche en couleur lorsque la projection étoilée est déjà allumée et que le mode **AUTO** est activé. La projection étoilée est contrôlée par le son que l'unité Bébé détecte dans la pièce.
- Cette icône est grisée lorsque la projection étoilée est actuellement éteinte mais que le mode **AUTO** est activé. Lorsque l'unité Bébé détecte un son dans la pièce en fonction du niveau de sensibilité choisi, la projection étoilée s'allume automatiquement.

### °C ou °F Température en temps réel

- Elle est détectée par l'unité Bébé en Celsius (°C) ou en Fahrenheit (°F) (ex : 57 °F ou 14 °C).

### 9 niveaux sonores détectés par l'unité Bébé

- indique que le niveau sonore détecté par l'unité Bébé est faible.
- indique que le niveau sonore détecté par l'unité Bébé est modéré.
- indique que le niveau sonore détecté par l'unité Bébé est fort.

## ICÔNES DE CONTRÔLE DE L'UNITÉ PARENTS

### Icônes d'état



- Alerte de température** - Activée.
- Mode silencieux / Alerte de son coupé**
- S'affiche lorsque le son provenant du haut-parleur de l'unité Parents est coupé.
  - S'affiche lorsque l'unité Parents communique avec l'unité Bébé.



### État de la batterie

- s'affiche lorsque la batterie est en train de charger.
- s'affiche quand la batterie est entièrement chargée.
- s'affiche lorsque la batterie est faible et doit être rechargée.



**Volume du haut-parleur** - affiche le niveau de volume du haut-parleur de l'unité Parents pendant le réglage.

### Icônes d'alerte



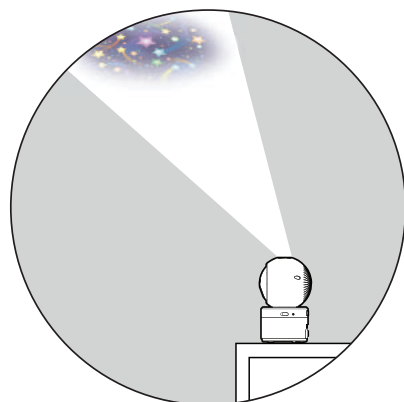
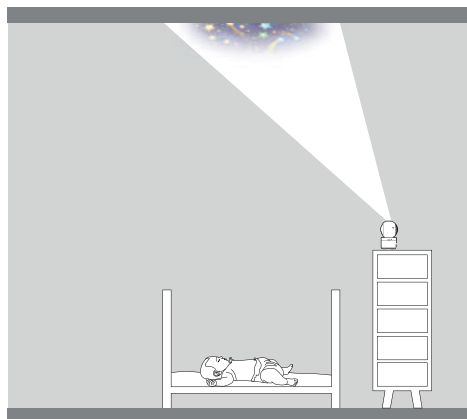
- S'affiche lorsque la batterie de l'unité Parents est faible et doit être rechargée.
- S'affiche lorsque la connexion entre les deux unités est perdue.
- La température détectée par l'unité Bébé est trop élevée.
- La température détectée par l'unité Bébé est trop basse.

## PROJECTION ÉTOILÉE

### CONSEIL

- La projection étoilée située sur la partie supérieure de l'unité Bébé projette une jolie scène de nuit étoilée au plafond avec un angle incliné. Ajuster la position de l'unité Bébé avec la projection étoilée activée pour aider Bébé à s'endormir sans le déranger. Pour une performance optimale, placer l'unité Bébé comme illustré ci-dessous, en la maintenant droite, de face et surélevée.

Position optimale



## SENSIBILITÉ ET SIGNALISATION SONORES

### Activation de l'écran et du haut-parleur de l'unité Parents par le son

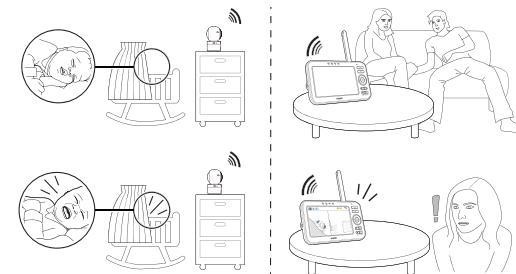
Lorsque le **mode Veille** est activé et que l'unité Bébé ne détecte aucun son, l'écran de l'unité Parents reste éteint pour préserver la batterie.

L'écran et le haut-parleur de l'unité Parents se mettent en marche automatiquement dès que l'unité Bébé détecte un son en fonction du niveau de sensibilité prédéfini.

L'unité Parents se met en veille après 50 secondes si aucun son n'est émis.

#### REMARQUE

- Si vous avez coupé le son du haut-parleur de l'unité Parents, seul l'écran de celle-ci s'allumera si un son est détecté.



### Ajuster la sensibilité sonore de l'unité Bébé

Il est possible d'activer la signalisation sonore et d'ajuster le niveau de sensibilité pour détecter les bruits présents dans la chambre de Bébé.

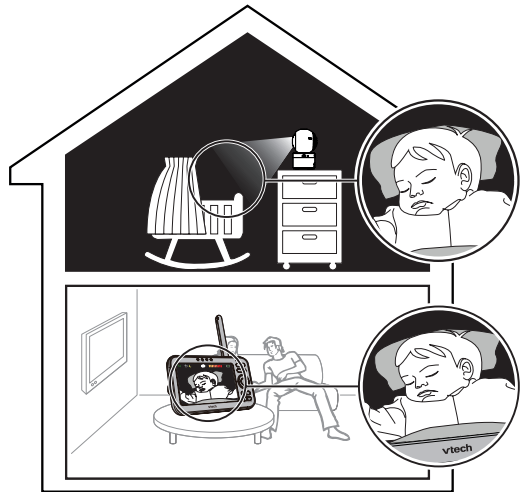
Lorsque l'unité Bébé détecte des sons qui excèdent le niveau de sensibilité prédéfini, l'écran de l'unité Parents s'allume lorsque celui-ci est en veille ou en **mode Réduction de lumière**. L'unité Bébé transmet en parallèle les sons via le haut-parleur de l'unité Parents.


Si la **veilleuse** et la **projection étoilée** sont programmées en mode **AUTO**, elles se mettront automatiquement en marche pour rassurer Bébé, lorsqu'un son sera détecté.

Si le **mode Veille** (activation de l'écran et du haut-parleur par le son) est désactivé, vous serez quand même capable d'entendre les sons transmis par l'unité Bébé même lorsque l'écran de l'unité Bébé est éteint.

| NIVEAU DE SENSIBILITÉ | Niveau 5 (Très élevée)  | Niveau 4 (Élevée)   | Niveau 3 (Modérée)   | Niveau 2 (Faible)  | Niveau 1 (Très faible)  |
|-----------------------|---|---|--|--|---|
| DESCRIPTION           | (Réglage par défaut) Le haut-parleur et l'écran de l'unité Parents se mettent en marche dès que l'unité Bébé détecte tous les sons provenant de la chambre de Bébé, y compris les bruits de fond. | Le haut-parleur et l'écran de l'unité Parents se mettent en marche pour des babillages discrets. Ils restent éteints si Bébé dort profondément. | L'écran et le haut-parleur de l'unité Parents se mettent en marche pour des babillages bruyants. Ils restent éteints si Bébé émet des sons discrets. | Le haut-parleur et l'écran de l'unité Parents se mettent en marche si Bébé pleure ou pour des sons plus forts. Ils restent éteints si Bébé émet des sons discrets. | Le haut-parleur et l'écran de l'unité Parents se mettent en marche si Bébé crie ou pleure fort. Ils restent éteints si Bébé émet des sons discrets. |

## VISION NOCTURNE



L'unité Bébé possède une caméra infrarouge qui s'active automatiquement lorsque l'intensité lumineuse de la pièce diminue. Elle permet de voir Bébé dans une pièce peu éclairée, ainsi que dans le noir total. Les images sont retransmises en noir et blanc sur l'écran de l'unité Parents et l'icône  apparaît à l'écran.

### Remarques

- Il peut y avoir un court temps d'adaptation lorsque la caméra passe en mode **Vision nocturne**. Une tache blanche peut apparaître à l'écran puis disparaître.
- Les images sont retransmises en noir et blanc lorsque la caméra infrarouge s'enclenche.

### CONSEIL

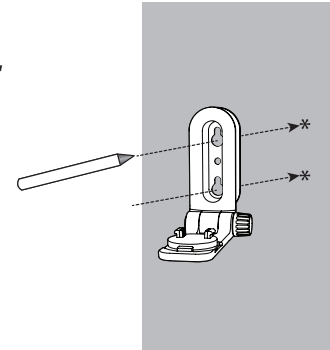
- Certains luminaires, couleurs, objets situés dans le champ de vision de la caméra peuvent affecter la qualité de l'image. Ajuster l'angle de la caméra ou déplacer l'unité Bébé pour optimiser la prise de vue.

## FIXER L'UNITÉ BÉBÉ AU MUR (OPTIONNEL)

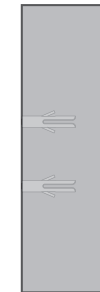
### REMARQUES

- Vérifier la puissance de réception et l'angle de la caméra avant de percer les trous au mur.
- Le type de vis et de chevilles dont vous aurez besoin dépend de la composition de votre mur. Il se peut que vous ayez besoin d'acheter séparément les bons éléments pour fixer l'unité Bébé au mur.

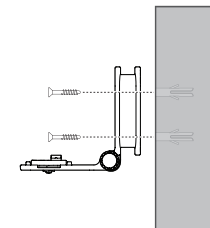
1. Placez le support de fixation murale sur un mur, puis utilisez un crayon pour marquer deux trous parallèles. Retirez le support de fixation murale et percez deux trous dans le mur (mèche de 5,5 mm (7/32 de pouce)).



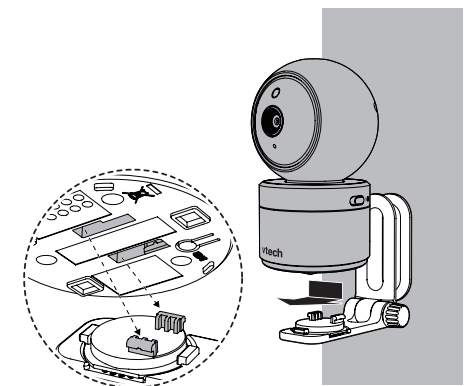
2. Si vous percez les trous dans un goujon, passez à l'étape 3 de votre choix.
  - Si vous percez les trous dans un élément autre qu'un goujon, insérez les chevilles dans les trous. Tapotez doucement avec un marteau jusqu'à ce que les chevilles soient alignées avec le mur.



3. Aligner le système de fixation et les vis avec les trous au mur comme illustré. Serrer la vis du bas dans un premier temps afin d'orienter correctement le système de fixation. Enfin, serrer la vis du trou supérieur pour consolider la fixation.



4. Fixer l'unité Bébé à la base cylindrique comme illustré, puis faites-la glisser vers l'avant pour qu'elle se verrouille en place. Branchez la prise d'alimentation à la caméra. Celle-ci ne se déclenche pas par un interrupteur mural.



## MODE RÉDUCTION DE LUMIÈRE

La luminosité de l'image retransmise par l'unité Parents s'affaiblira pour économiser de la batterie après 10 minutes de non-utilisation pendant lesquelles aucune fonction n'a été activée, ni alerte(s) reçue(s) par l'unité Bébé.



## ENTRETIEN GÉNÉRAL DES PRODUITS

Pour que ce produit continue à bien fonctionner et à avoir une belle apparence, suivez ces directives :

- Évitez de le placer à proximité d'appareils de chauffage et de dispositifs qui génèrent des bruits électriques (par exemple, des moteurs ou des lampes fluorescentes).
- NE PAS l'exposer à la lumière directe du soleil ou à l'humidité.
- Évitez de faire tomber le produit ou de le malmener.
- Nettoyez avec un chiffon doux.
- NE PAS immerger l'unité parents et l'unité bébé dans l'eau et ne pas les nettoyer sous le robinet.
- N'utilisez PAS de nettoyeurs liquides ou en aérosol.
- Assurez-vous que l'unité parents et l'unité bébé sont sèches avant de les connecter à nouveau au secteur.

## STOCKAGE

Si vous n'utilisez pas l'écoute bébé pendant un certain temps, rangez l'unité parents, l'unité bébé et les adaptateurs dans un endroit frais et sec.

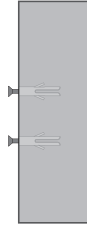
## SURVEILLANCE PAR UN ADULTE

- Cet écoute bébé ne doit être utilisé que par des adultes.
- Ne placez pas l'unité bébé à l'intérieur du parc ou du lit du bébé.
- Pour assurer la sécurité de vos enfants, ne les laissez pas toucher ou jouer avec l'écoute bébé et ses accessoires. CE N'EST PAS UN JOUET.

## CARACTÉRISTIQUES TECHNIQUES

|                           |   |
|---------------------------|---|
| Contrôle de fréquence     | Crystal controlled PLL synthesizer  |
| Fréquence de transmission | Unité Bébé : 2405 - 2475 MHz<br>Unité Parents : 2405 - 2475 MHz<br>Puissance maximale utilisée par l'émetteur : 0,1W (100mW)                          |
| Canaux                    | 32  |
| Écran                     | Écran couleur LCD de 5" (WQVGA 480x272 pixels)  |
| Portée                    | La portée peut varier en fonction de l'environnement dans lequel le produit est utilisé   |
| Alimentation              | Unité Parents : Batterie Li-ion 3,8V 2100mAh<br>Adaptateur de l'unité Bébé<br>Sortie : 5V CC 1A<br>Adaptateur de l'unité Parents<br>Sortie : 5V CC 1A |

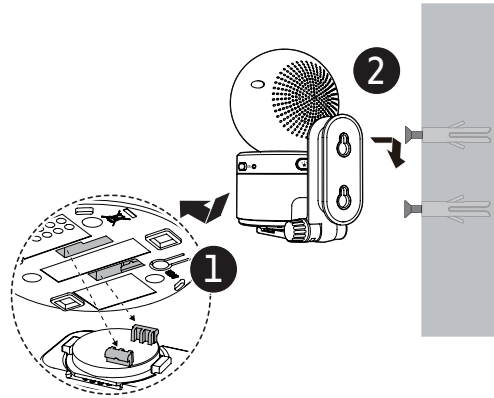
3. Insérer les vis dans les trous et laissez-les dépasser d'environ 6,5 mm (1/4 de pouce) de leur longueur.



OR

4. Fixer l'unité Bébé à la base cylindrique comme illustré, puis faites-la glisser vers l'avant pour qu'elle se verrouille en place.

Alignez les œilletons du support de montage mural aux trous percés au mur puis faites glisser le système de fixation vers le bas jusqu'à ce qu'il se verrouille en place.

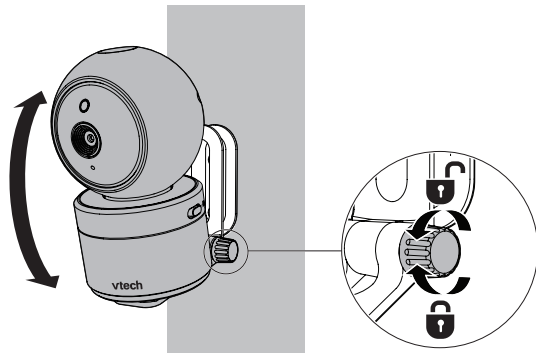


5. Il est possible de maximiser l'angle de la caméra en inclinant le système de fixation mural.

Tenez la caméra, puis faites tourner la petite molette dans le sens contraire des aiguilles d'une montre.

Ce qui desserrera le joint du support de montage mural.

Inclinez ou redressez la caméra pour définir l'angle de préférence. Puis, faites tourner la petite molette dans le sens des aiguilles d'une montre pour serrer le joint et sécuriser l'angle de vue.



# SERVICE CLIENTÈLE ET GARANTIE DES PRODUITS



## SERVICE CLIENTÈLE ET GARANTIE

### IMPORTANT

Veillez conserver le reçu comme preuve d'achat.

### Service clientèle

Vous êtes propriétaire d'un produit de qualité de VTech®, fabriqué avec soin et soumis à des contrôles de qualité stricts.

La garantie ne couvre pas les situations suivantes :

- Dommages au produit dus à une utilisation inappropriée.
- Réparations ou modifications non autorisées du produit.
- Dommages causés par le non-respect du mode d'emploi.
- Piles rechargeables défectueuses ou dommages causés par une fuite de la pile rechargeable.
- Les dommages causés par un emballage défectueux ou inefficace pendant le transport ou tout autre dommage causé pendant le transport.
- Détérioration de l'écran LCD.

Si vous avez des questions, veuillez contacter notre service clientèle :

[www.vtechphones.eu](http://www.vtechphones.eu)

Fabricant : VTech Telecommunications Ltd.  
23/F., Tai Ping Industrial Centre, Block 1, 57 Ting Kok Road, Tai Po, Hong Kong

Importateur : Snom Technology GmbH.  
Aroser Allee 66, 13407, Berlin.

# DÉCLARATION DE CONFORMITÉ

Ce produit est destiné à être utilisé en Europe.

Cet équipement est conforme aux exigences essentielles de la directive 2014/53/CE sur les équipements hertziens et les équipements terminaux de télécommunications.

Vtech Telecommunications Ltd. déclare par la présente que cet écoute bébé vidéo VM5463 est conforme aux exigences essentielles et autres dispositions pertinentes de la directive 2014/53/CE.

La déclaration de conformité pour le VM5463 est disponible à l'adresse [www.vtech.com/rtte-directive](http://www.vtech.com/rtte-directive).



## ÉLIMINATION DES PILES RECHARGEABLES AINSI QUE DU PRODUIT



Les symboles poubelles barrés sur les produits et les piles rechargeables et piles, ou sur leurs emballages respectifs, indiquent qu'ils ne doivent pas être jetés dans les ordures ménagères, car ils contiennent des substances qui peuvent être nocives pour l'environnement et la santé humaine.



Les symboles chimiques Hg, Cd ou Pb, lorsqu'ils sont marqués, indiquent que la pile rechargeable contient plus de mercure (Hg), de cadmium (Cd) ou de plomb (Pb) que la valeur spécifiée dans la directive relative aux piles et aux accumulateurs (2006/66/CE).

La barre pleine indique que le produit a été mis sur le marché après le 13 août 2005.

Protéger l'environnement en éliminant votre produit ou vos accumulateurs de manière responsable.

### Crédits :

Le fichier son Bruit de fond a été créé par Caroline Ford, et est utilisé sous la licence Creative Commons.

Le fichier son Flot de bruit a été créé par Caroline Ford, et est utilisé sous licence Creative Commons.

Le fichier son Grillons de la nuit a été créé par Mike Koenig, et est utilisé sous la licence Creative Commons.

Le fichier son Battement de cœur a été créé par Caroline Ford, et est utilisé sous la licence Creative Commons.



Les spécifications sont sujettes à changement sans préavis.  
© 2023 VTech Telecommunications Ltd.  
Tous droits réservés. 06/23. VM5463\_SNOM\_FR\_QSG\_V1





VM5463

## 5" Video Baby Monitor con telecamera orientabile



# vtech®

## Guida di avvio rapido

## IMPORTANTI ISTRUZIONI DI SICUREZZA

La targhetta applicata si trova nella parte inferiore della base dell'unità bambino.


Durante l'utilizzo del dispositivo si devono sempre seguire le precauzioni di sicurezza di base per ridurre il rischio di incendio, scosse elettriche e lesioni, e i seguenti punti:

1. Seguire tutte le avvertenze e le istruzioni indicate sul prodotto.
2. È richiesta l'impostazione da parte di adulti.
3. **ATTENZIONE:** Non installare l'unità bambino ad un'altezza superiore.
4. Questo prodotto è progettato come un aiuto. Non è un sostituto di un'adeguata e responsabile supervisione da parte di un adulto e non deve essere usato come tale.
5. Questo prodotto non è destinato all'uso come monitor medico.
6. Non utilizzare questo prodotto vicino all'acqua, ad esempio vicino a vasche da bagno, lavandini, piscine o docce.
7. **ATTENZIONE:** Utilizzare solo la batteria fornita. L'uso di un tipo di batteria errato per l'unità genitore può causare l'esplosione. Durante l'uso, lo stoccaggio o il trasporto, la batteria non può essere sottoposta a temperature estreme (alte o basse) e a bassa pressione dell'aria ad alta quota. Lo smaltimento della batteria nel fuoco o in un forno caldo, lo schiacciamento il taglio meccanico possono provocare un'esplosione. Lasciare la batteria in un ambiente circostante a temperatura estremamente elevata può provocare un'esplosione o la fuoriuscita di liquido infiammabile di gas. La batteria, sottoposta ad una pressione d'aria estremamente bassa, può provocare un'esplosione o la perdita di liquido o gas infiammabile. Smaltire la batteria usata secondo le informazioni nelle istruzioni.
8. Utilizzare solo gli adattatori forniti con questo prodotto. L'errata polarità o tensione dell'adattatore può danneggiare seriamente il prodotto.
  - ⚠️ ⓘ Informazioni sull'adattatore di alimentazione:  
Potenza di uscita dell'unità genitore: 5 V DC 1 A  
Vtech Telecommunications Ltd.  
Modello: VT07EEU05100 (EU)
  - ⚠️ ⓘ Informazioni sulla batteria ricaricabile:  
Batteria al litio da 3,8 V 2100 mAh  
Zhongshan Tianmao Battery Co., Ltd.  
Numero modello: BP1763
9. L'adattatore di alimentazione deve essere montato correttamente in posizione verticale o a pavimento. I terminali della spina non sono progettati per tenerla in posizione se inserita in un soffitto, sotto il tavolo o nella presa nell'armadio.
10. Per i dispositivi collegabili a spina(alimentatore), la presa dovrebbe essere installata vicino e deve essere facilmente accessibile.
11. Scollegare dalla presa di corrente prima della pulizia. Non utilizzare detergenti liquidi o aerosol. Per la pulizia utilizzare un panno umido.
12. Non modificare gli adattatori di alimentazione o sostituirli con altri adattatori in quanto si può provocare una situazione di pericolo.
13. Non lasciare nulla sui cavi di alimentazione. Non posizionare il prodotto nei luoghi dove i cavi possono essere calpestati o piegati.
14. Per azionare il prodotto utilizzare solo la fonte di alimentazione indicata sull'etichetta con marcatura. Se non si è sicuri del tipo di alimentazione elettrica nella propria abitazione, consultare il proprio rivenditore o il fornitore di elettricità.
15. Non sovraccaricare le prese a muro e non utilizzare una prolunga.
16. Non collocare questo prodotto su un tavolo, uno scaffale, un supporto o altre superfici instabili.
17. Questo prodotto non deve essere collocato in aree senza un'adeguata ventilazione. Le fessure e le aperture sul retro o sul fondo di questo prodotto sono progettate per la ventilazione. Non posizionare il prodotto su una superficie morbida come un letto, un divano o un tappeto per proteggerle dal surriscaldamento; stare attenti a non bloccare queste aperture. Il prodotto non deve mai essere collocato vicino o sopra un radiatore o una fonte di calore.

18. Non spingere mai oggetti di qualsiasi tipo attraverso le fessure perché potrebbero toccare punti di tensione pericolosi o creare un corto circuito. Non versare mai liquidi di alcun tipo sul prodotto.
19. Per ridurre il rischio di scosse elettriche, non smontare il prodotto, ma portarlo in un centro di assistenza autorizzato. Lo smontaggio o la rimozione di parti del prodotto attraverso zone diverse dalla porta della batteria può esporre l'utente a tensioni pericolose o altri rischi. Un riassetto non corretto può causare scosse elettriche durante il successivo utilizzo del prodotto.
20. Ogni volta dopo che le unità vengono riaccese o spostate si deve testare la ricezione del suono.
21. Esaminare periodicamente tutti i componenti per verificare la presenza di eventuali danni.
22. Durante l'utilizzo dei determinati dispositivi elettronici, come baby monitor, telefoni cordless, ecc. il rischio di perdita della privacy è molto basso. **Per proteggere la tua privacy assicurati che il prodotto non sia mai stato utilizzato prima dell'acquisto, reimpostalo periodicamente spegnendo e poi accendendo le unità, spegni il baby monitor se non lo utilizzi per un certo periodo di tempo.**
23. I bambini devono essere sorvegliati per assicurarsi che non giochino con il prodotto.
24. Le piccole parti di questo monitor possono essere ingerite da neonati o bambini piccoli. Tenere queste parti fuori dalla portata dei bambini.
25. Il prodotto non è destinato all'uso da parte di persone (compresi i bambini) con ridotte capacità fisiche, sensoriali o mentali, a cui manca esperienza e conoscenza, a meno che non siano stati incaricati alla supervisione e abbiano ottenuto le istruzioni sull'uso dell'apparecchio da una persona responsabile della loro sicurezza.

### CONSERVARE QUESTE ISTRUZIONI

#### Avvertenze

- Utilizzare e conservare il prodotto a temperatura tra 0 °C e 40 °C.
- L'uso improprio delle batterie può causare rischi di ustioni, incendi o esplosioni.
- Le batterie non devono essere esposte a calore eccessivo come il sole o il fuoco.
- Non esporre il prodotto al freddo estremo, al calore o alla luce diretta del sole. Non mettere il prodotto vicino ad una fonte di riscaldamento.
-  **Avvertimento**—Casi di strangolamento—Si sono verificati i casi in cui i bambini si sono STRANGOLATI con i cavi. Tenere questo cavo fuori dalla portata dei bambini (a più di 0,9 m di distanza). Non rimuovere l'etichetta di avvertenza sul cavo dell'adattatore.
- Non posizionare mai l'unità bambino all'interno della culla o del box per bambini. Non coprire mai l'unità bambino o l'unità genitore con asciugamani, una coperta o oggetti simili.
- Altri prodotti elettronici possono causare interferenze con la telecamera. Provare ad installare la telecamera il più lontano possibile da questi dispositivi elettronici: router wireless, radio, telefoni cellulari, interfonni, monitor da camera, televisori, personal computer, elettrodomestici da cucina e telefoni cordless.

#### Avvertenze per portatori di pacemaker

Pacemaker (solo per dispositivi digitali senza fili):

Wireless Technology Research, LLC (di seguito denominata WTR), Un organismo di ricerca indipendente, ha eseguito una valutazione completa dell'impatto dei dispositivi wireless su impianti pacemaker. La raccomandazione WTR per i medici, confermata dal Dipartimento per gli alimenti e i medicinali degli Stati Uniti, è la seguente:

#### Portatori di pacemaker

- Non avvicinare i dispositivi wireless a meno di 15 cm dal pacemaker.
- NON collocare dispositivi wireless ACCESI direttamente sul corpo di un portatore del pacemaker esattamente dov'è impiantato - ad esempio in un taschino sul petto.

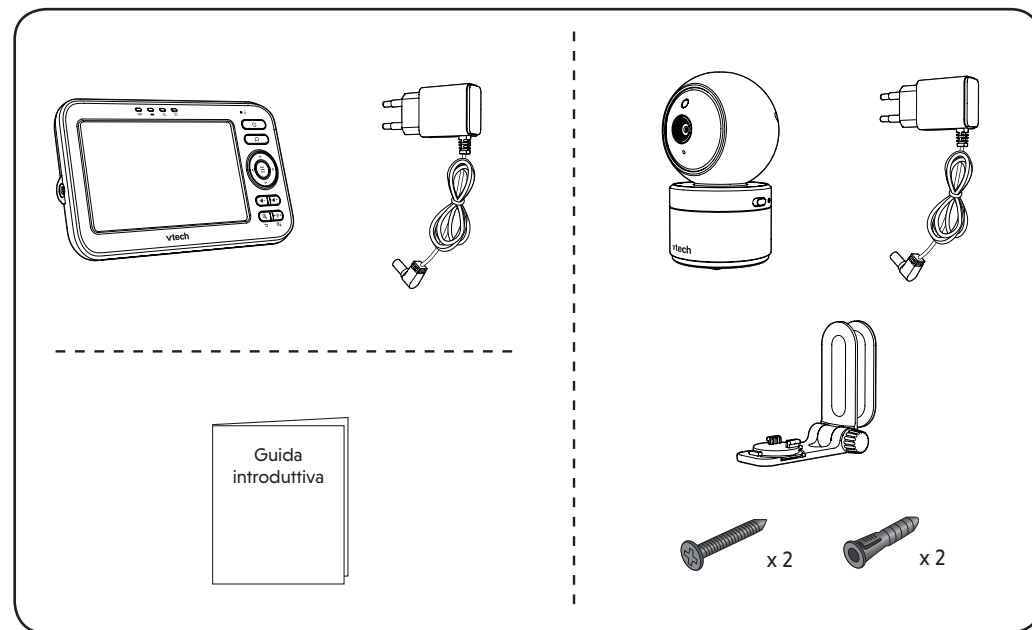
Tuttavia, la valutazione di WTR non ha dimostrato che i portatori del pacemaker impiantati siano a rischio per la presenza di persone che utilizzano dispositivi wireless nelle vicinanze.

#### Campi elettromagnetici (CEM)

Il prodotto VTech oggetto del presente manuale soddisfa tutti gli standard applicabili per i campi elettromagnetici (CEM). I risultati scientifici disponibili indicano che l'utilizzo del prodotto conforme alle istruzioni d'uso è sicuro.



## CONTENUTO DELLA CONFEZIONE

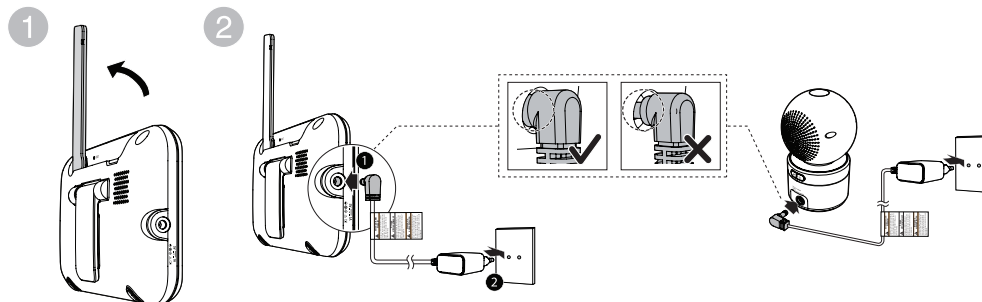


## 1

## COLLEGARE, RICARICARE E ACCENDERE IL BABY MONITOR

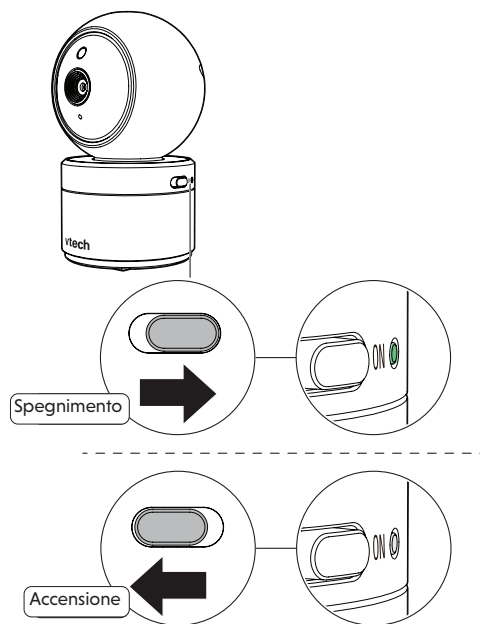
#### NOTES

- La batteria ricaricabile dell'unità genitore è integrata all'apparecchiatura.
- Utilizzare solo gli alimentatori forniti con questo prodotto.
- Assicurarsi che il baby monitor non sia collegato a una presa elettrica controllata da un interruttore.
- Collegare gli adattatori gli alimentatori solo in posizione verticale o di montaggio a pavimento. I denti degli alimentatori non sono progettati per sostenere il peso del baby monitor, quindi non devono essere collegati a prese a soffitto, sotto il tavolo o dell'armadio. In caso contrario, gli adattatori potrebbero non essere collegati correttamente alle prese.
- Assicurarsi che l'unità genitore, l'unità bambino e i cavi dell'alimentatore siano fuori dalla portata dei bambini.

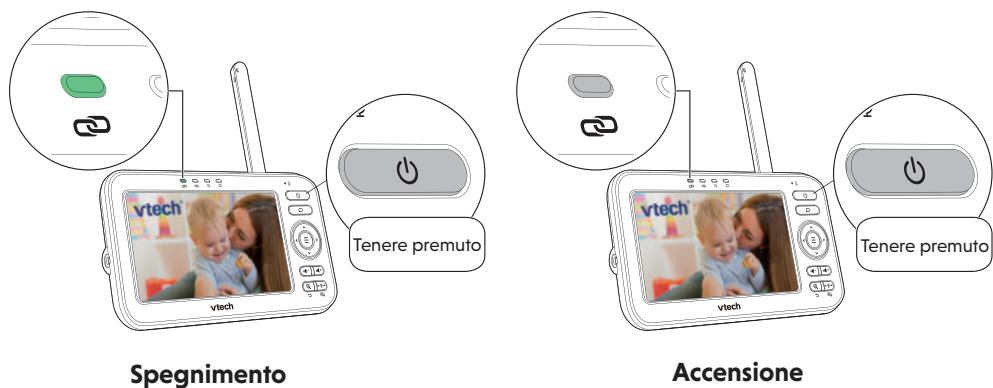


## 2 ACCENDERE O SPEGNERE IL BABY MONITOR

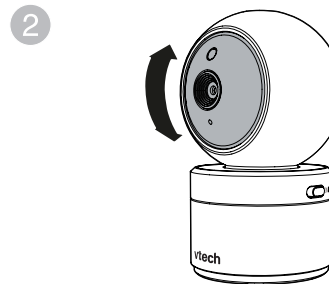
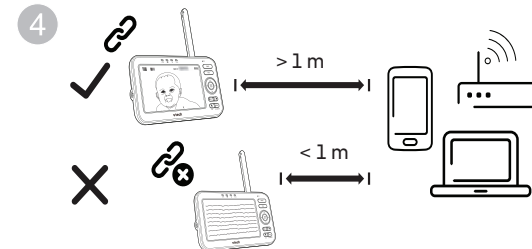
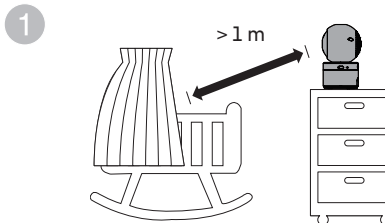
1 Utilizzare l'interruttore per accendere o spegnere l'unità bambino.



2 Tenere premuto  per accendere o spegnere l'unità genitore.

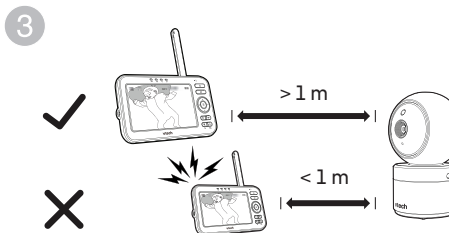


## 3 POSIZIONAMENTO DEL BABY MONITOR



### NOTA


- Per evitare interferenze con altri dispositivi elettronici, posizionare il baby monitor ad almeno 1 metro di distanza da dispositivi come router wireless, microonde, telefoni cellulari e computer.



### ATTENZIONE

- Il volume predefinito dell'unità genitore è il livello 4 e il volume massimo è il livello 7. Se si avverte un rumore stridulo acuto dal baby monitor durante il posizionamento:
  - Assicurarsi che l'unità bambino e l'unità genitore siano a più di 1 metro di distanza, OPPURE
  - Abbassare il volume dell'unità genitore.

## 4 CONTROLLO STATO

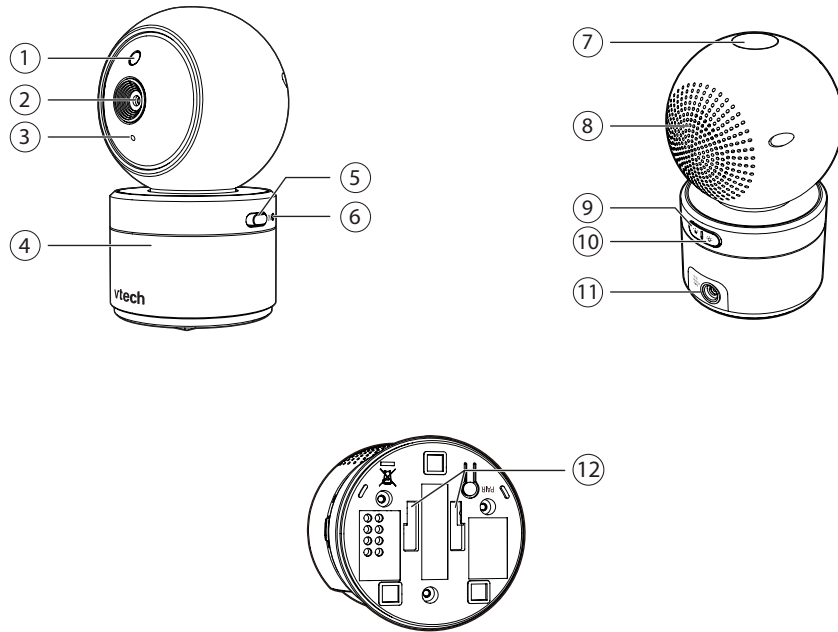
Una volta accese sia l'unità bambino che l'unità genitore, l'unità genitore visualizza l'immagine dall'unità bambino e la  luce LED si accende.

Si attiva anche il LED di accensione.





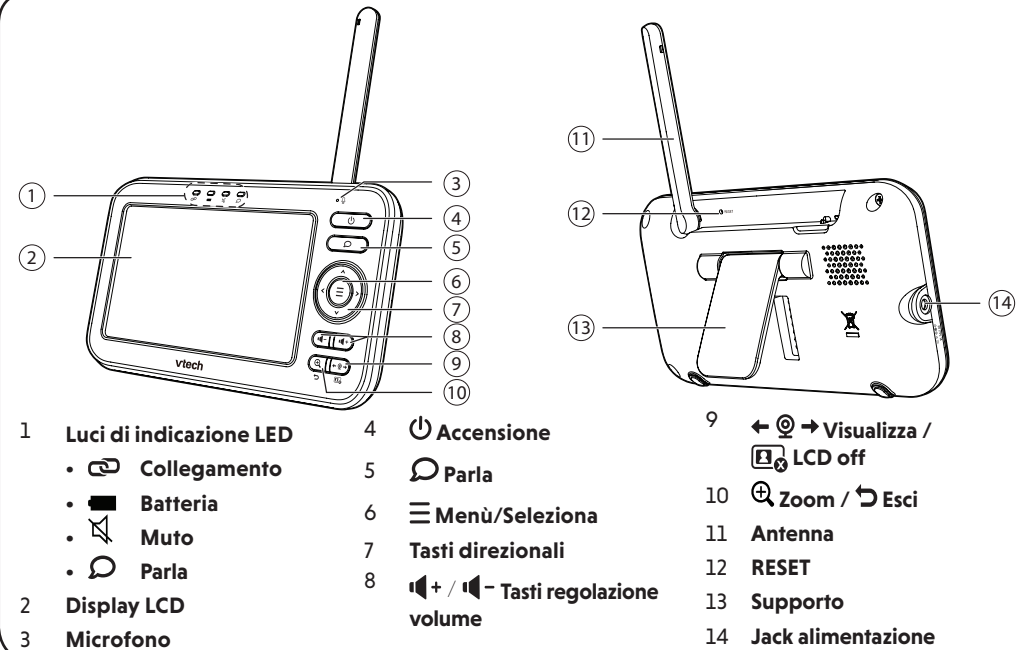
## PANORAMICA - UNITÀ BAMBINO



- |                              |   |
|------------------------------|---|
| 1 <b>Sensore luminoso</b>    | 7 <b>Proiettore di luce</b>                 |
| 2 <b>Lente gloss</b>         | 8 <b>Altoparlante</b>                       |
| 3 <b>Microfono</b>           | 9 <b>★ Tasto luce di proiezione On/Off</b>  |
| 4 <b>Luce notturna</b>       | 10 <b>☀ Tasto on/off luce notturna</b>      |
| 5 <b>Interruttore ON/OFF</b> | 11 <b>Jack alimentazione</b>                |
| 6 <b>Luce LED On/Off</b>     | 12 <b>Fessure per il montaggio a parete</b> |
- Accesa quando l'unità bambino è accesa ed è associata all'unità genitore.
  - Lampeggia quando l'unità bambino non viene visualizzata; o quando si perde il collegamento all'unità genitore.



## PANORAMICA - UNITÀ GENITORE



- |                                  |   |                                   |
|----------------------------------|---|-----------------------------------|
| 1 <b>Luci di indicazione LED</b> | 4 <b>⏻ Accensione</b>                     | 9 <b>← → Visualizza / LCD off</b> |
| •  Collegamento                  | 5 <b>🗨 Parla</b>                          | 10 <b>⏏ Zoom / ↶ Esci</b>         |
| •  Batteria                      | 6 <b>☰ Menù/Selezione</b>                 | 11 <b>Antenna</b>                 |
| •  Muto                          | 7 <b>Tasti direzionali</b>                | 12 <b>RESET</b>                   |
| •  Parla                         | 8 <b>🔊+ / 🔊- Tasti regolazione volume</b> | 13 <b>Supporto</b>                |
| 2 <b>Display LCD</b>             |   | 14 <b>Jack alimentazione</b>      |
| 3 <b>Microfono</b>               |   |                                   |



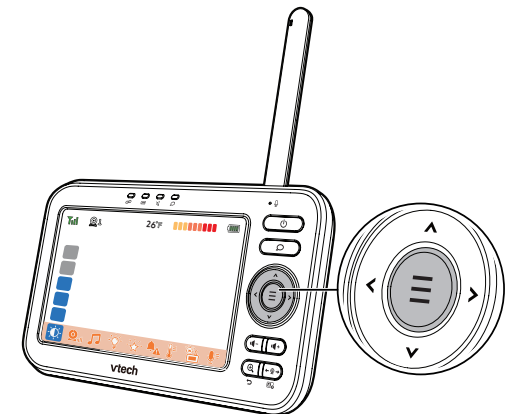
## OPERAZIONE BASE - UNITÀ GENITORE

### Utilizzo del menù

Premere ☰ per accedere al menù, per scegliere una voce del menù o per salvare un'impostazione. È possibile utilizzare l'unità genitore per impostazioni o operazioni avanzate, ad esempio per riprodurre o interrompere la riproduzione di una ninnananna dell'unità bambino o per regolare la sensibilità al suono dell'unità bambino.

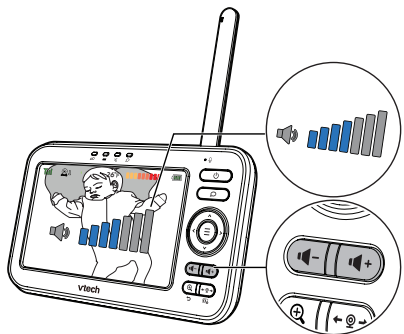
Nel menù:

- Premere < > per scorrere tra le opzioni del menù principale.
- Premere ☰ per selezionare una voce o per salvare un'impostazione.
- Premere ▲ o ▼ per scorrere tra i menù secondari, o per regolare un'impostazione.
- Premere ◀ per tornare alle opzioni di menù precedenti senza modificare l'impostazione corrente.
- Premere ⏏ Zoom / ↶ Esci per tornare al video in diretta.



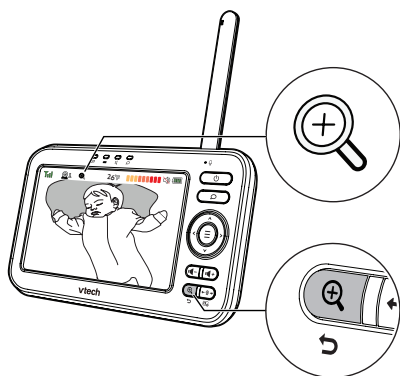
## Regolazione del volume dell'altoparlante

Premere / per regolare il volume dell'altoparlante dell'unità genitore. Determina il volume del suono trasmesso all'utente dall'unità bambino.



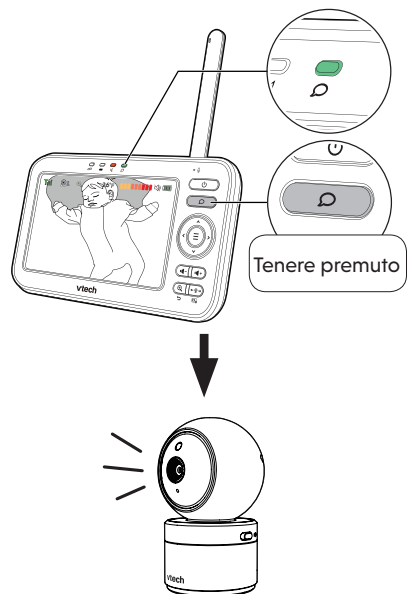
## Zoom

Premere per ingrandire o per rimpicciolire l'immagine.



## Parlare all'unità bambino

Tenere premuto e parlare rivolti all'unità genitore. La propria voce viene in questo modo trasmessa all'unità bambino. Rilasciare il tasto dopo aver finito di parlare per ascoltare di nuovo il bambino.



## Spegnere lo schermo

Tenere premuto per spegnere lo schermo. Sarà ancora possibile ascoltare suoni dall'unità bambino.



## SUGGERIMENTO

- Premere qualsiasi tasto sull'unità genitore per riaccendere lo schermo.

## ICONE UNITÀ GENITORE

### Icone del menù principale

| Menù principale                 | Menù secondario         |   |
|---------------------------------|-------------------------|---|
| <b>Luminosità</b>               |                         | <ul style="list-style-type: none"> <li>• Regola la luminosità dello schermo LCD dell'unità genitore.</li> </ul>   |
| <b>Impostazioni videocamera</b> |                         | <b>Volume alimentatore unità bambino</b> <ul style="list-style-type: none"> <li>• Regola il volume dell'altoparlante dell'unità bambino.</li> </ul>   |
| <b>Ninnananna</b>               | /<br><br>               | <b>Riproduce/Interrompe ninnananna</b><br>1 ≈ 2 ≈ 3 ≈ 4<br><ul style="list-style-type: none"> <li>• Seleziona uno dei suoni rilassanti o il rumore bianco.</li> </ul> 1 2 3 4 5<br><ul style="list-style-type: none"> <li>• Seleziona una delle cinque melodie.</li> </ul><br><ul style="list-style-type: none"> <li>• Riproduce tutte le melodie.</li> </ul><br><b>60min 45min 30min 15min</b><br><ul style="list-style-type: none"> <li>• Imposta il timer per interrompere la riproduzione della melodia selezionata o del suono rilassante.</li> </ul>  |
| <b>Luce notturna</b>            | <b>ON / OFF</b><br><br> | <b>Accende/spegne la luce notturna</b><br>1 2 3 4 5 6 7<br><ul style="list-style-type: none"> <li>• Seleziona uno dei 7 colori di luce notturna.</li> </ul><br><ul style="list-style-type: none"> <li>• Imposta il ciclo automatico dei 7 colori di luce notturna.</li> </ul> <b>60min 30min 15min OFF</b><br><ul style="list-style-type: none"> <li>• Imposta il timer per spegnere la luce notturna.</li> </ul> <b>AUTO</b><br><ul style="list-style-type: none"> <li>• Imposta la l'accensione automatica della luce notturna quando l'unità bambino rileva un suono. Si spegnerà dopo 15 secondi se non vi è ulteriore rilevamento di suoni. È possibile impostare il livello di sensibilità VOX per rilevare i suoni che superano solo determinati livelli. Vedi sensibilità ai suoni e attivazione sonora.</li> </ul> |



## ON / OFF

- Attiva/Disattiva la luce notturna. Quando questa funzione è attiva, l'unità bambino rileva la luce ambientale. Se la stanza è luminosa, la luce notturna si regola per essere più luminosa; se la stanza è buia, la luce notturna si regola per essere più fioca.

## Impostazioni avvisi



- Accende/spegne suono di avviso di batteria scarica.



- Accende/spegne suono di avviso di collegamento perso.



- Accende/spegne suono di avviso di conferma.

## Luce di proiezione



### ON / OFF

Attiva/Disattiva la luce di proiezione.



**60min 45min 30min 15min**

- Imposta il timer per spegnere la luce di proiezione.



- Attiva automaticamente la proiezione quando l'unità bambino rileva un rumore. Si disattiverà dopo 15 minuti se non vengono rilevati rumori. Consultare la sezione Sensibilità al suono e attivazione del suono per saperne di più.

## Temperatura



### ON/OFF

- Accende/spegne suono di avviso di temperatura.
- Imposta l'unità genitore in modo che emetta un segnale acustico ogni volta che la temperatura ambiente rilevata dall'unità bambino non rientra nell'intervallo di temperatura impostato.



- Imposta la temperatura minima.



- Imposta la temperatura massima.



- Imposta la visualizzazione della temperatura in gradi Fahrenheit (°F) o Celsius (°C)



# ICONE UNITÀ GENITORE (CONTINUA)

## Audio e schermo - Attivazione sonora



### ON / OFF Accende/spegne l'attivazione sonora

- Imposta l'attivazione o lo spegnimento dell'attivazione sonora.
- Restano accesi mentre lo schermo dell'unità genitore rimane spento per risparmiare energia, ma una volta rilevato un suono, lo schermo dell'unità genitore si accendono automaticamente. L'unità genitore si spegnerà di nuovo dopo 50 secondi se non vi è ulteriore rilevamento di suoni.

#### NOTA

- Quando lo schermo dell'unità genitore è spento e riceve avvisi, ad esempio, per un collegamento perso tra l'unità genitore e l'unità bambino o se la batteria è scarica, lo schermo e l'altoparlante dell'unità genitore si accendono per 10 secondi.

## Sensibilità VOX (Voice Activated Alert)







- È possibile impostare il livello di sensibilità VOX per attivare lo schermo dell'unità genitore quando l'unità bambino rileva suoni che superano determinati livelli. Vedi Sensibilità ai suoni e attivazione sonora.

## Icone stato



### Stato connessione

-  - Segnale forte.
-  - Segnale moderato.
-  - Segnale basso.
-  - Segnale debole.



### Stato visualizzazione attuale

#### Visione notturna - Attiva

#### Zoom - Attivo

#### Ninnananna - Attiva

#### Luce notturna - Attiva

#### Luce notturna - Attivazione automatica

- L'icona a colori indica che la luce notturna è impostata sull'accensione automatica ed viene attivata da un suono.
- L'icona grigia indica che la luce notturna è attualmente spenta ma è impostata sull'accensione automatica. La luce notturna si accende quando l'unità bambino rileva un suono.



## Icone stato



### Luce di proiezione - Attiva



### Luce di proiezione - Attiva automaticamente

- L'icona a colori indica che luce di proiezione è impostata sull'accensione automatica e viene attivata da rumori.
- L'icona grigia indica che la luce di proiezione è attualmente spenta, ma è impostata sull'attivazione automatica. La luce di proiezione si accenderà quando viene rilevato un rumore dall'unità bambino.

### °F or °C

### Temperatura in tempo reale

- Temperature rilevata in tempo reale dall'unità bambino in gradi Fahrenheit (°F) o Celsius (°C) (es. **57°F** o **14°C**).



### Indicatore di suono a nove livelli

-  indica un livello sonoro basso rilevato dall'unità bambino.
-  indica un livello sonoro moderato rilevato dall'unità bambino.
-  indica un livello sonoro alto rilevato dall'unità bambino.

## Icone stato



**Suono di avviso temperatura**  
- Attivo



### Avviso muto

- Viene visualizzato quando il volume dell'altoparlante dell'unità genitore è disattivato.
- Viene visualizzato quando l'unità genitore sta parlando con l'unità bambino.



### Avviso muto

- Viene visualizzato quando il volume dell'altoparlante dell'unità genitore è disattivato.
- Viene visualizzato quando l'unità genitore sta parlando con l'unità bambino.



**Volume dell'altoparlante** - visualizza il livello del volume dell'altoparlante dell'unità genitore durante la regolazione.

## Icone di avviso



- Viene visualizzata quando la batteria dell'unità genitore è scarica e deve essere ricaricata.



- Viene visualizzata quando si perde la connessione tra l'unità genitore e l'unità bambino.



- L'unità bambino rileva che la temperatura raggiunge o supera il massimo impostato.



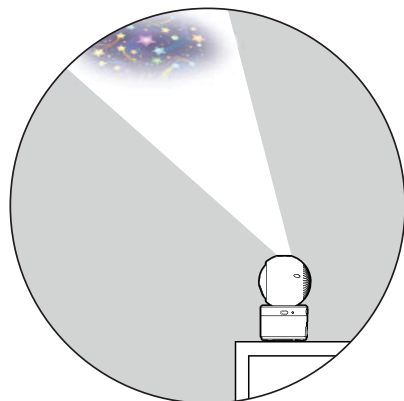
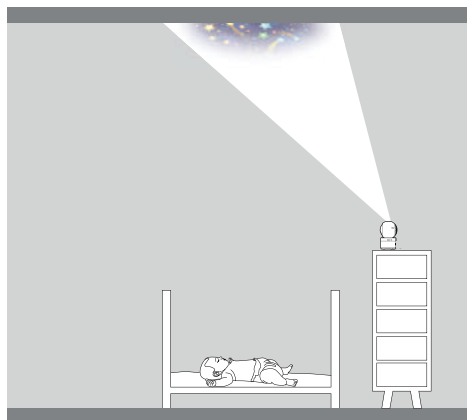
- L'unità bambino rileva che la temperatura raggiunge o è più bassa del minimo impostato.

## ★ LUCE DI PROIEZIONE

### ☀ SUGGERIMENTO

- La luce di proiezione situata sulla parte superiore dell'unità bambino proietta una scena notturna soffusa e stellata sul soffitto con un'angolazione regolabile. Regolare la posizione dell'unità bambino in base alla direzione della luce di proiezione per aiutare il bambino ad addormentarsi. Per prestazioni ottimali, posizionare l'unità bambino in posizione verticale.

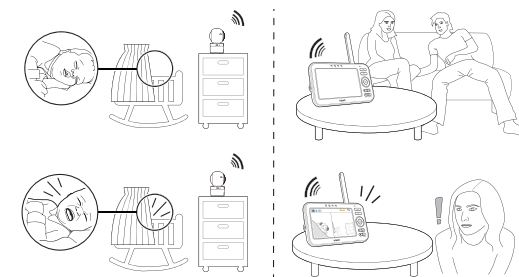
Posizione ottimale



## SENSIBILITÀ AI SUONI E ATTIVAZIONE SONORA

### Audio e schermo ad attivazione sonora

Lo schermo dell'unità genitore rimane automaticamente spento per risparmiare energia quando l'unità bambino non rileva alcun suono. Quando è abilitata l'attivazione sonora, se l'unità bambino rileva suoni più forti del livello di sensibilità audio scelto, lo schermo e l'altoparlante dell'unità genitore si accendono automaticamente. L'unità genitore si spegnerà di nuovo dopo 50 secondi se non vi è ulteriore rilevamento di suoni.



### 📖 NOTA

- Se è stato disattivato l'altoparlante dell'unità genitore, solo lo schermo dell'unità genitore si accenderà quando viene rilevato un suono.

### Regolare la sensibilità di rilevamento del suono

Quando viene abilitata l'attivazione sonora, è possibile regolare la sensibilità VOX dell'unità bambino per rilevare i suoni e accendere l'unità genitore quando il suo schermo è spento o oscurato.

Quando l'unità bambino rileva suoni che superano determinati livelli, lo schermo dell'unità genitore si accenderà automaticamente e l'unità bambino trasmetterà i suoni rilevati all'unità genitore. Sarà quindi possibile vedere e sentire il bambino.

Se la funzione di accensione automatica della luce notturna è stata attivata, si accenderà automaticamente per calmare il bambino.

Se viene disabilitata l'attivazione sonora, si ascolteranno sempre i suoni dall'unità bambino, anche quando lo schermo dell'unità genitore è spento.

| Livello sensibilità VOX | Livello 5 (Più alto)   | Livello 4 (Alto)   | Livello 3 (Medio)   | Livello 2 (Basso)   | Livello 1 (Più basso)   |
|-------------------------|--|--|---|---|---|
|                         |  |  |   |   |   |
| Descrizione             | (Impostazione predefinita)<br>Lo schermo e l'altoparlante dell'unità genitore si accendono per suoni molto bassi, inclusi i rumori di sottofondo della stanza del bambino. | L'altoparlante e lo schermo dell'unità genitore si accendono per un borbottio sommesso e suoni più forti emessi dal bambino. L'unità genitore rimane silenziosa quando il bambino dorme profondamente. | L'altoparlante e lo schermo dell'unità genitore si accendono per un borbottio dal volume elevato e suoni più forti emessi dal bambino. L'unità genitore rimane silenziosa quando il bambino emette suoni leggeri. | L'altoparlante e lo schermo dell'unità genitore si accendono in caso di pianto e suoni più forti emessi dal bambino. L'unità genitore rimane silenziosa quando il bambino emette suoni leggeri. | L'altoparlante e lo schermo dell'unità genitore si accendono per pianto dal volume elevato e strilli emessi dal bambino. L'unità genitore rimane silenziosa quando il bambino emette suoni leggeri. |

## VISIONE NOTTURNA



L'unità bambino è dotata di LED a infrarossi che consentono di vedere chiaramente il bambino di notte o in una stanza buia. Quando l'unità bambino visualizzata rileva bassi livelli di luce, i LED a infrarossi si accendono automaticamente. Le immagini dell'unità bambino saranno in bianco e nero e sullo schermo verrà visualizzata l'icona 🌙.

### NOTE

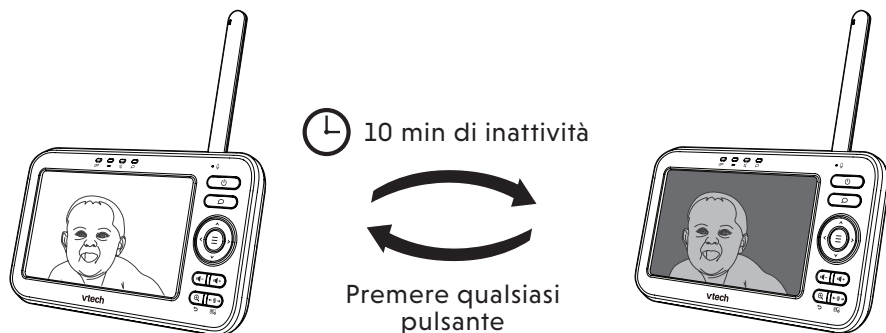
- È normale vedere un breve bagliore bianco sullo schermo dell'unità genitore poiché l'unità bambino si adatta all'ambiente buio.
- Quando i LED a infrarossi sono accesi, è normale che le immagini siano in bianco e nero.

### SUGGERIMENTO

- La risoluzione del display può variare a seconda dell'ambiente circostante e di altri fattori di interferenza, come illuminazione, oggetti, colori e sfondi. Regolare l'angolazione dell'unità bambino o posizionare l'unità bambino a un'altezza maggiore per evitare abbagliamenti e visualizzazioni sfocate.

## MODALITÀ SCURA

Il display dell'unità genitore si oscurerà per risparmiare energia dopo 10 minuti di inattività, in cui non viene premuto alcun tasto né viene ricevuto un avviso dall'unità bambino.

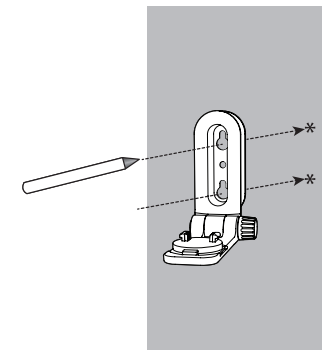


## MONTAGGIO A PARETE DELL'UNITÀ BAMBINO (FACOLTATIVO)

### NOTE

- Verificare la potenza di ricezione e l'angolo della telecamera dell'unità bambino e prima di praticare i fori.
- I tipi di viti e ancoraggi necessari dipendono dal tipo di parete. Potrebbe essere necessario acquistare separatamente le viti e gli ancoraggi per montare le unità bambino.

1. Posizionare la staffa di montaggio a parete su una parete e quindi utilizzare una matita per contrassegnare due fori in parallelo. Rimuovere la staffa di montaggio a parete e praticare due fori nella parete (punta da 5,5 mm).

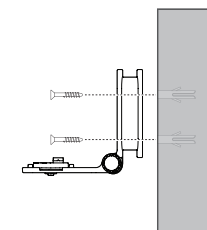


2. Se si praticano i fori in un perno, andare al passaggio 3.

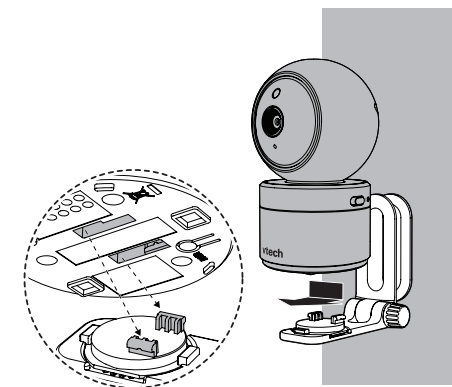
- Se si praticano fori in un oggetto diverso da un perno, inserire gli ancoraggi a cavo nei fori. Battere delicatamente sulle estremità con un martello fino a quando gli ancoraggi non sono in linea con il muro.



3. Allineare la staffa di montaggio a parete e le viti con i fori nella parete come mostrato. Stringere prima la vite nel foro centrale, in modo che la posizione della staffa di montaggio a parete sia fissa. Stringere l'altra vite nel foro superiore.

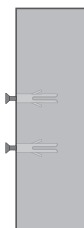


4. Posizionare l'unità bambino sulla staffa di montaggio a parete, quindi farla scorrere in avanti finché non si blocca in posizione. Collegare l'alimentatore all'unità bambino.



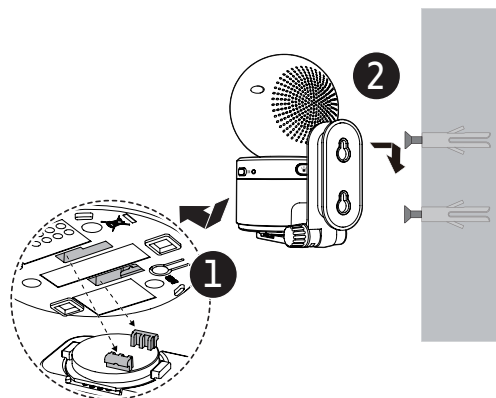


- Inserire le viti nei fori e stringere le viti fino a quando sono esposti solo 6,5 mm delle viti.



#### OPPURE

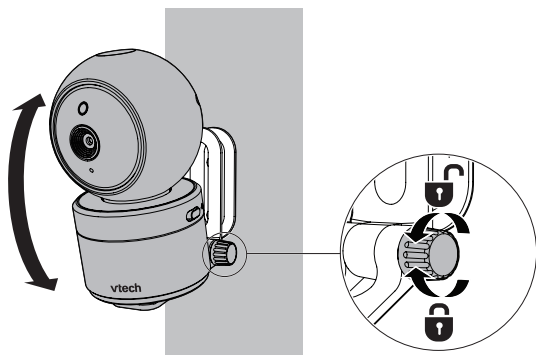
- Posizionare l'unità bambino sulla staffa di montaggio a parete, quindi farla scorrere in avanti finché non si blocca in posizione. Allineare i fori sulla staffa di montaggio a parete con le viti sulla parete e far scorrere la staffa di montaggio a parete verso il basso finché non si blocca in posizione.



- È possibile massimizzare gli angoli di visualizzazione dell'unità bambino inclinando la staffa di montaggio a parete.

Tenere l'unità bambino, quindi ruotare la manopola in senso antiorario. Questo allenterà il giunto della staffa di montaggio a parete. Inclinare l'unità bambino verso l'alto o verso il basso per adattarla all'angolazione che si preferisce.

Quindi, ruotare la manopola in senso orario per stringere il giunto e fissare l'angolo.



## CURA GENERALE DEL PRODOTTO

Per mantenere questo prodotto funzionante e in bell'aspetto, seguire queste linee guida:

- Evitare di posizionarlo vicino ad apparecchi di riscaldamento e dispositivi che generano disturbi elettrici (ad esempio motori o lampade fluorescenti).
- NON esporlo alla luce diretta del sole o all'umidità.
- Evitare di far cadere il prodotto o di trattarlo in modo approssimativo.
- Pulire con un panno morbido umido.
- NON immergere l'unità genitore e l'unità bambino in acqua e non pulirle sotto l'acqua corrente.
- NON utilizzare spray per la pulizia o detergenti liquidi.
- Assicurarsi che l'unità genitore e l'unità bambino siano asciutte prima di ricollegarle alla rete elettrica.

## CONSERVAZIONE

Quando non si utilizza il monitor video per un certo periodo di tempo, conservare l'unità genitore, l'unità bambino e gli adattatori in un luogo fresco e asciutto.

## SUPERVISIONE DEGLI ADULTI

- Questo baby monitor deve essere utilizzato solo da adulti.
- Non posizionare l'unità bambino all'interno del lettino o del box.
- Per garantire la sicurezza dei bambini, non permettere loro di toccare o giocare con il baby monitor e i suoi accessori. **QUESTO NON È UN GIOCATTOLO.**

## SPECIFICHE TECNICHE

|                               |  |
|-------------------------------|--|
| Controllo di frequenza        | Sintetizzatore PLL controllato al cristallo  |
| Frequenza di trasmissione     | Unità bambino: 2405-2475 MHz<br>Unità genitore: 2405-2475 MHz<br>Potenza massima utilizzata dal trasmettitore: 0,1 W (100 mW)                      |
| Canali                        | 32   |
| LCD                           | LCD a colori 5" (WQVGA 480x272 pixel)  |
| Intervallo effettivo nominale | L'intervallo operativo effettivo può variare in base alle condizioni ambientali al momento dell'uso.   |
| Requisiti di alimentazione    | Unità genitore: Batteria Li-ion 3,8 V<br>Alimentatore unità bambino:<br>Uscita: 5 V CC @ 1A<br>Alimentatore unità genitore:<br>Uscita: 5 V CC @ 1A |

# SERVIZIO CLIENTI E GARANZIA DEL PRODOTTO



## SERVIZIO CLIENTI E GARANZIA

### IMPORTANTE

Si prega di conservare la ricevuta come prova di acquisto.

### Servizio clienti

Sei il proprietario di un prodotto di qualità VTech®, prodotto con cura e sotto severi controlli di qualità.

La garanzia non copre quanto segue:

- Danneggiamento del prodotto dovuto a uso improprio.
- Riparazioni o modifiche non autorizzate al prodotto.
- Danni causati dalla mancata osservanza delle istruzioni per l'uso.
- Batterie difettose o danni causati da perdite della batteria.
- Danni causati da imballaggi difettosi o inefficaci utilizzati durante il trasporto o danni causati durante il trasporto.
- Danni al display LCD.

In caso di domande, si prega di contattare il nostro Servizio Clienti:

[www.vtechphones.eu](http://www.vtechphones.eu)

Produttore: VTech Telecommunications Ltd.  
23/F., Tai Ping Industrial Centre, Block 1, 57 Ting kok Road, Tai Po, Hong Kong.  
Importatore: Snom Technology GmbH.  
Arosier Allee 66, 13407, Berlin.

# DICHIARAZIONE DI CONFORMITÀ

Questo prodotto è destinato all'uso in Europa.

Questa apparecchiatura soddisfa i requisiti essenziali della Direttiva sulle apparecchiature radio e sulle apparecchiature terminali di telecomunicazione 2014/53/UE.

Vtech Telecommunications Ltd. dichiara che il presente Video Baby Monitor VM5463 è conforme ai requisiti essenziali e alle altre disposizioni pertinenti della Direttiva 2014/53/UE.

La dichiarazione di conformità del monitor VM5463 è disponibile al sito [www.vtech.com/rtte-directive](http://www.vtech.com/rtte-directive).



## SMALTIMENTO DELLE BATTERIE E DEL PRODOTTO



I simboli del cassonetto barrato sui prodotti e sulle batterie o sulle rispettive confezioni indicano che non devono essere smaltiti nei rifiuti domestici in quanto contengono sostanze che possono essere dannose per l'ambiente e per la salute.



I simboli chimici Hg, Cd o Pb, se marcati, indicano che la batteria contiene più del valore specificato di mercurio (Hg), cadmio (Cd) o piombo (Pb) stabilito nella direttiva sulle batterie (2006/66/CE).



La barra piena indica che il prodotto è stato immesso sul mercato dopo il 13 agosto 2005.

Contribuire a proteggere l'ambiente smaltendo il prodotto o le batterie in modo responsabile.

### Crediti:

Il file audio Background Noise è stato creato da Caroline Ford ed è usato sotto licenza di Creative Commons.

Il file audio Stream Noise è stato creato da Caroline Ford ed è usato sotto licenza di Creative Commons.

Il file audio Crickets At Night è stato creato da Mike Koenig ed è usato sotto licenza di Creative Commons.

Il file audio Heart Beat è stato creato da Zarabadeu ed è usato sotto licenza di Creative Commons.



Le specifiche sono soggette a modifiche senza preavviso.  
© 2023 VTech Telecommunications Ltd.  
Tutti i diritti riservati. 06/23. VM5463\_SNOM\_IT\_QSG\_V1



## Monitor de bebê de vídeo com ecrã de 5" e câmara de rotação horizontal e vertical



**vtech**<sup>®</sup>  
Guia de início rápido

## INSTRUÇÕES DE SEGURANÇA IMPORTANTES

A etiqueta de identificação aplicada está localizada no fundo da base da unidade de bebé.


Ao utilizar o seu equipamento, devem ser sempre cumpridas as precauções básicas de segurança para reduzir o risco de incêndio, choque elétrico e lesões, incluindo as seguintes:

1. Siga todos os avisos e instruções assinalados no produto.
2. É necessária configuração por um adulto.
3. **CUIDADO:** Não instalar a unidade de bebé a uma altura superior a 2 metros.
4. Este produto está previsto como um apoio. Não é um substituto da supervisão responsável e adequada realizada por um adulto e não deve ser utilizado dessa forma.
5. Este produto não se destina a ser utilizado como um monitor médico.
6. Não utilize este produto na proximidade de água. Por exemplo, não usar próximo de uma banheira, lavatório, banca da cozinha, bacia de lavar roupa ou piscina, ou numa cave húmida ou chuveiro.
7. **CUIDADO:** Utilize apenas a bateria fornecida. Pode existir um risco de explosão caso o tipo errado de bateria seja utilizado para a unidade para pais. A bateria não pode ser sujeita a temperaturas extremas baixas ou elevadas e baixa pressão de ar a grande altitude durante a utilização, armazenamento ou transporte. A eliminação da bateria por via de fogo ou forno quente, esmagamento ou corte mecânico, pode resultar numa explosão. Deixar a bateria exposta a uma temperatura ambiente extremamente elevada pode resultar numa explosão ou na fuga de líquido ou gás inflamável. Caso a bateria seja sujeita a pressão do ar extremamente baixa, pode ocorrer numa explosão ou uma fuga de líquido ou gás inflamável. Eliminar as baterias usadas de acordo com as instruções.
8. Utilizar apenas os adaptadores incluídos com este produto. Uma polaridade ou tensão incorreta do adaptador pode danificar gravemente o produto.
  - ⚠️ ⓘ Informação sobre o adaptador de energia:  
Saída da unidade para pais: 5V CC 1A  
VTech Telecommunications Ltd.  
Modelo: VT05EEU05100  
Saída da unidade de bebé: 5V CC 1A.  
VTech Telecommunications Ltd.  
Modelo: VT05EEU05100
  - ⚠️ ⓘ Informações sobre a bateria recarregável:  
Bateria de íões de lítio, 3,8 V 2100 mAh  
Zhongshan Tianmao Battery Co., Ltd.  
Número do modelo: BP1763
9. O adaptador de corrente destina-se a ser corretamente orientado numa posição vertical ou de montagem no chão. Os pernos não estão concebidos para segurar a ficha no lugar caso esta seja ligada numa tomada no teto, por baixo de uma mesa ou armário.
10. Para equipamento de ligar a tomada, a tomada (adaptador de corrente) deve ser instalada perto do equipamento e deve ser de fácil acesso.
11. Desligue este produto da tomada de parede antes de limpar. Não utilize líquidos ou produtos de limpeza em aerossol. Utilize um pano húmido para limpeza.
12. Não corte os adaptadores de corrente para os substituir por outras fichas, já que isto causa uma situação perigosa.
13. Não permita que nada fique pousado sobre os cabos de alimentação. Não instale este produto num local onde os cabos estejam num local de passagem ou estejam dobrados.
14. Este produto deve ser operado apenas a partir do tipo de fonte de alimentação indicado na etiqueta de marcação. Caso não tenha a certeza sobre o tipo de alimentação de energia na sua residência, consulte o seu revendedor ou a companhia elétrica local.
15. Não sobrecarregue tomadas de parede ou opte por utilizar uma extensão.
16. Não coloque este produto numa mesa instável, prateleira, suporte ou outras superfícies instáveis.
17. Este produto não deve ser colocado numa área onde não esteja disponível ventilação adequada. As ranhuras e aberturas na traseira ou fundo deste produto são fornecidas para ventilação. Para o proteger contra sobreaquecimento, estas aberturas não devem ser bloqueadas colocando o produto numa superfície mole tal como uma cama, sofá ou tapete. Este produto nunca deve ser colocado junto ou sobre um radiador ou registo de aquecimento.

18. Nunca insira objetos de qualquer tipo através das ranhuras deste produto, estes podem tocar em pontos de tensão perigosa ou criar um curto-circuito. Nunca derrame líquido de qualquer tipo sobre o produto.
19. Para reduzir o risco de choque elétrico, não desmonte este produto. Em vez disso, leve-o a uma instalação de serviço autorizada. Abrir ou remover peças do produto para além das portas de acesso especificadas pode expô-lo a tensões perigosas ou outros riscos. Uma nova montagem incorreta pode causar choque elétrico quando o produto for utilizado posteriormente.
20. Deve testar a receção do som sempre que liga as unidades ou desloque um dos componentes.
21. Examine periodicamente todos os componentes quanto a danos.
22. Existe um risco muito reduzido de perda de privacidade quando utilizar determinados dispositivos eletrónicos, tais como monitores para bebé, telefones sem fios, etc. Para proteger a sua privacidade, certifique-se que o produto nunca foi usado antes da compra, faça a reposição do monitor para bebé periodicamente desligando e voltando a ligar as unidades, e desligue o monitor para bebé caso não o utilize durante bastante tempo.
23. As crianças devem ser supervisionadas para garantir que não brincam com o produto.
24. O produto não foi previsto para ser utilizado por pessoas (inclusive crianças) com capacidades físicas, sensoriais ou mentais reduzidas ou com falta de experiência e conhecimento, salvo se receberem supervisão ou instrução sobre a utilização do aparelho por uma pessoa responsável pela sua segurança.

### GUARDE ESTAS INSTRUÇÕES

#### Cuidados

- Utilize e armazene o produto a uma temperatura entre 0 °C e 40 °C.
- Perigo de queimadura, perigo de incêndio, perigo de explosão associado ao manuseamento incorreto da bateria.
- Não exponha o produto ao frio ou calor excessivo ou à luz solar direta. Não coloque o produto próximo de uma fonte de calor.
-  **Aviso—Risco de estrangulamento—**Já aconteceu crianças **ESTRANGULAREM-SE** com cabos. Mantenha este fio fora do alcance de crianças (a mais de 0.9 m de distância). Não remova esta etiqueta.
- Nunca coloque a(s) unidade(s) da câmara dentro do berço ou parque para bebés. Nunca cubra a(s) unidade(s) de câmara ou para pais com algo como uma toalha ou cobertor.
- Outros produtos eletrónicos podem causar interferência com a unidade de câmara. Tente instalar a unidade de câmara o mais afastada possível destes dispositivos eletrónicos: routers sem fios, rádios, telemóveis, intercomunicadores, monitores de quartos, televisões, computadores pessoais, eletrodomésticos e telefones sem fios.

#### Precauções para utilizadores de pacemakers cardíacos implantados

Pacemakers cardíacos (aplica-se apenas a dispositivos sem fios digitais):

A Wireless Technology Research, LLC (WTR), uma entidade de investigação independente, conduziu uma avaliação multidisciplinar da interferência entre dispositivos portáteis sem fios e pacemakers cardíacos implantados. Com o apoio da U.S. Food and Drug Administration, a WTR recomenda aos médicos que:

#### Pacientes com pacemaker

- Devem manter os dispositivos sem fios pelo menos a seis polegadas do pacemaker.
- **NÃO** devem colocar dispositivos sem fios diretamente sobre o pacemaker, como por exemplo num bolso do peito, quando LIGADOS.

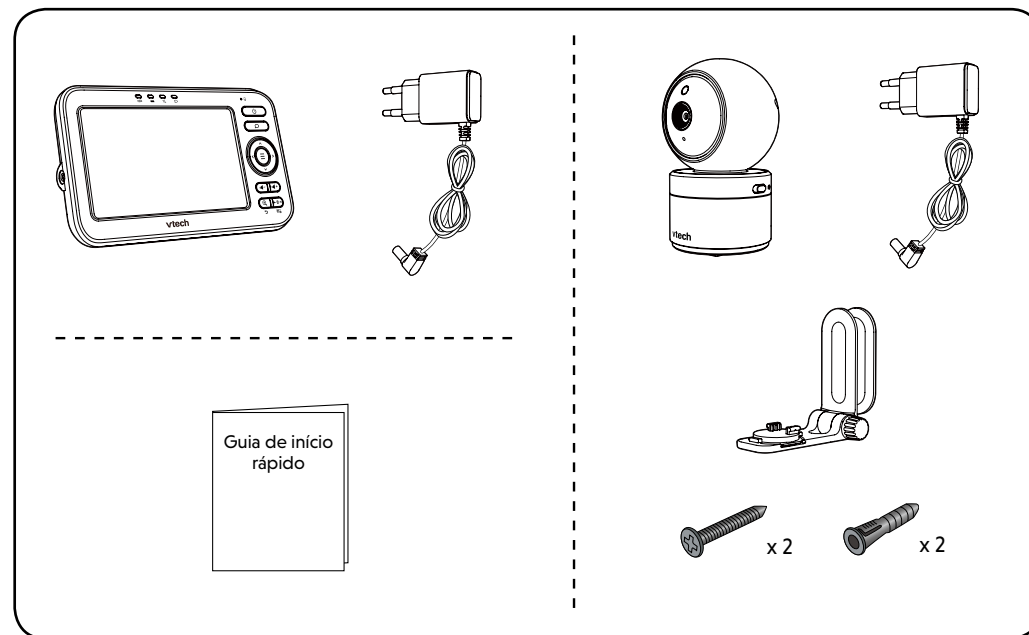
A avaliação da WTR não identificou qualquer risco para pessoas portadoras de pacemakers presentes quando outras pessoas utilizam dispositivos sem fios.

#### Campos Eletromagnéticos (EMF)

Este produto VTech cumpre com todas as normas referentes a campos eletromagnéticos (EMF). Se manipulado devidamente e de acordo com as instruções neste manual do utilizador, o produto é seguro para utilização com base nas evidências científicas disponíveis atualmente.



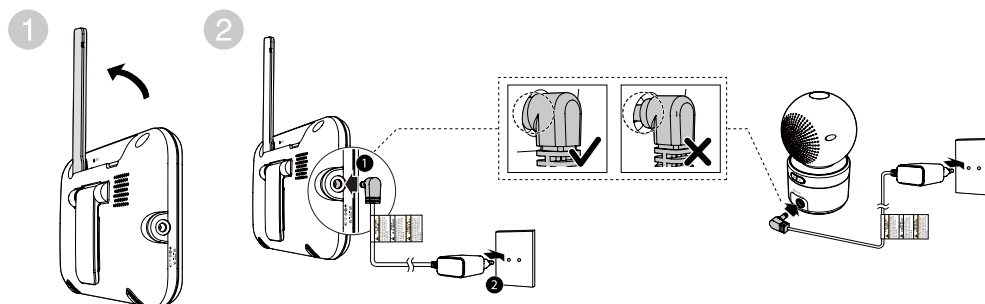
## O QUE ESTÁ INCLUÍDO NA CAIXA



## 1 LIGAR O MONITOR DE BEBÉ

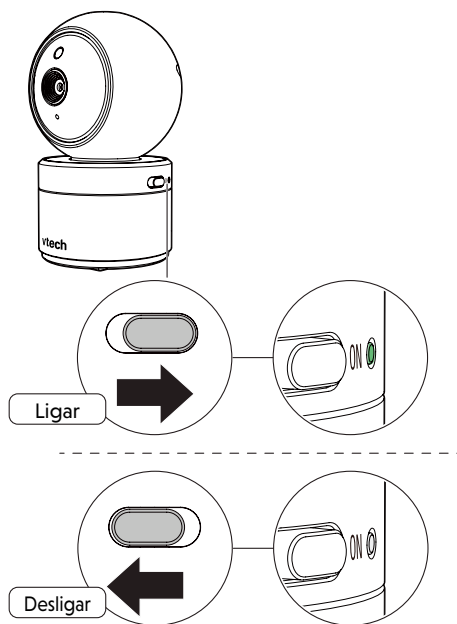
#### NOTAS


- A bateria recarregável na unidade para pais está integrada.
- Use apenas os adaptadores de corrente fornecidos com este produto.
- Certifique-se que o monitor de bebé não está ligado a uma tomada elétrica controlada por interruptor.
- Ligue os adaptadores de corrente apenas numa posição vertical ou de montagem no solo. Os pernos dos adaptadores não foram concebidos para suportar o peso do monitor de bebé, por isso, não os ligue a tomadas no teto, debaixo da mesa ou de armários. De outra forma, os adaptadores podem não se ligar corretamente às tomadas.
- Certifique-se de que a unidade para pais, a unidade de bebé e os cabos do adaptador de corrente estão fora do alcance das crianças.



## 2 LIGAR OU DESLIGAR O MONITOR DE BEBÉ

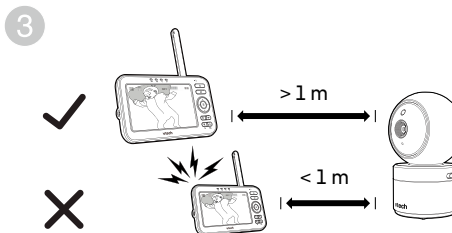
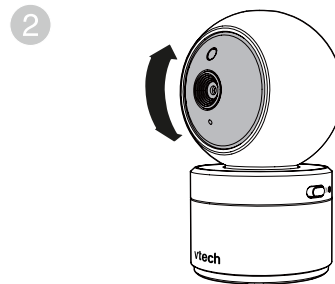
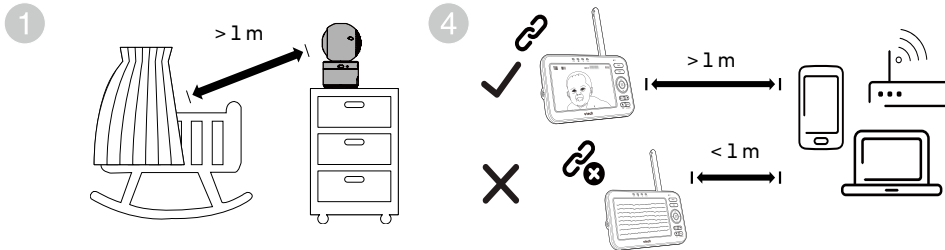
1 Deslize o interruptor para ligar ou desligar a sua unidade de bebé.



2 Prima continuamente  para ligar ou desligar a unidade para pais.



## 3 POSICIONAMENTO DO MONITOR DE BEBÉ




### NOTA

- Para evitar interferências de outros dispositivos eletrónicos, coloque o monitor de bebé a, pelo menos, 1 metro de distância de dispositivos como routers sem fios, micro-ondas, telemóveis e computadores.

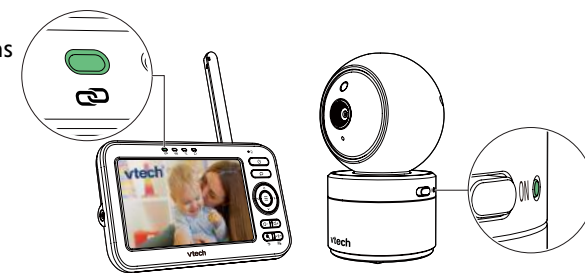
### CUIDADO

- O volume padrão da sua unidade para pais é o nível 4, e o volume máximo é o nível 7. Caso exista um ruído de eco a partir do monitor de bebé durante o posicionamento:
  - Certifique-se que a unidade de bebé está a mais de 1 metro de distância, OU
  - Baixe o volume da sua unidade para pais.

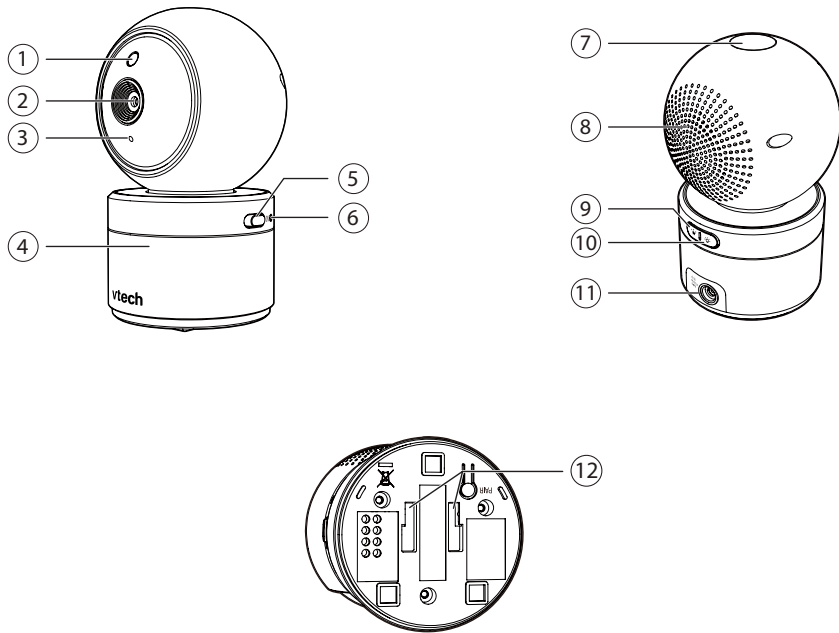
## 4 VERIFICAÇÃO DE ESTADO

Assim que ligar a unidade de bebé e a unidade para pais, a unidade para pais mostra imagens da unidade de bebé e a sua luz LED  acende.

A luz LED **ON** da unidade de bebé também acende.



## VISÃO GERAL - UNIDADE DE BEBÉ



- |                                     |  |
|-------------------------------------|--|
| 1 <b>Sensor de luz</b>              | 7 <b>Projetor de luz</b>                               |
| 2 <b>Lente da câmara</b>            | 8 <b>Altifalante</b>                                   |
| 3 <b>Microfone</b>                  | 9 <b>★ Botão para ligar/desligar a luz de projeção</b> |
| 4 <b>Luz noturna</b>                | 10 <b>☀ Botão para ligar/desligar a luz noturna</b>    |
| 5 <b>Interruptor ligar/desligar</b> | 11 <b>Tomada de alimentação</b>                        |
| 6 <b>Luz LED ligada/desligada</b>   | 12 <b>Ranhas para montagem de parede</b>               |
- Está ligada quando a unidade de bebé está ligada e emparelhada com a unidade para pais.
  - Pisca quando a unidade de bebé não está a ver vista; ou quando a ligação à unidade para pais é perdida.

## VISÃO GERAL - UNIDADE PARA PAIS



- |                                 |                                     |  |
|---------------------------------|-------------------------------------|--|
| 1 <b>Luzes de indicação LED</b> | 3 <b>Microfone</b>                  | 9 <b>← @ → Vista / [ ] LCD desligado</b> |
| • <b>Ligação</b>                | 4 <b>⏻ Ligar/Desligar</b>           | 10 <b>🔍 Zoom / ↶ Sair</b>                |
| • <b>Bateria</b>                | 5 <b>🗣 Falar</b>                    | 11 <b>Antena</b>                         |
| • <b>Silêncio</b>               | 6 <b>☰ Menu/Selecionar</b>          | 12 <b>RESET</b>                          |
| • <b>Falar</b>                  | 7 <b>Botões de seta</b>             | 13 <b>Base</b>                           |
| 2 <b>Ecrã LCD</b>               | 8 <b>🔊 + / 🔊 - Botões de volume</b> | 14 <b>Tomada de alimentação</b>          |

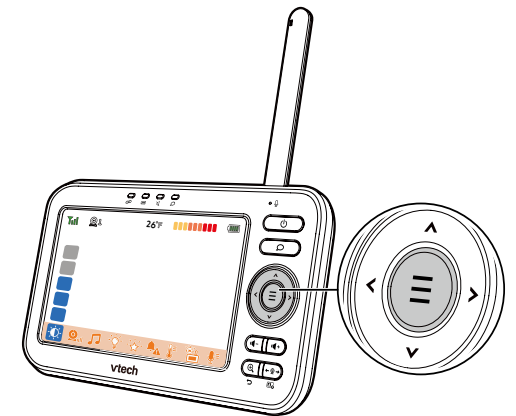
## FUNCIONAMENTO BÁSICO - UNIDADE PARA PAIS

### Utilizar o menu

Prima ☰ para aceder ao menu, escolha um item de menu ou guarde uma definição. Pode utilizar a unidade para pais para definições ou operações avançadas, como reproduzir ou parar a reprodução da canção de embalar da unidade de bebé ou para ajustar a sensibilidade do som da unidade de bebé.

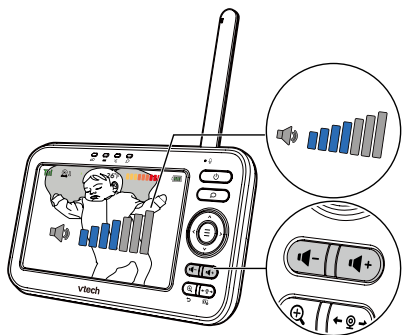
Enquanto estiver no menu:

- Prima < ou > para percorrer entre as opções do menu.
- Prima ☰ para selecionar um item, ou para guardar uma definição.
- Prima ▲ ou ▼ para navegar pelos sub-menus ou para ajustar uma definição.
- Prima < para regressar às opções de menu anteriores sem alterar a definição atual.
- Prima 🔍 Zoom / ↶ Sair para regressar ao vídeo em tempo real.



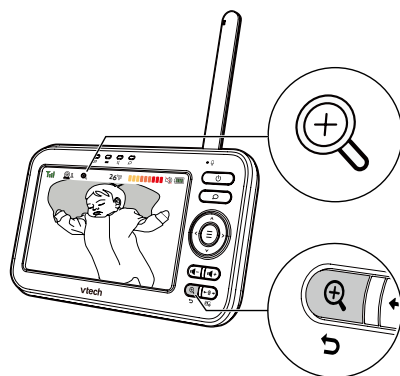
## Ajustar o volume do altifalante

Prima / para ajustar o volume do altifalante da sua unidade para pais. Determina o volume do som que lhe é transmitido pela unidade de bebé.



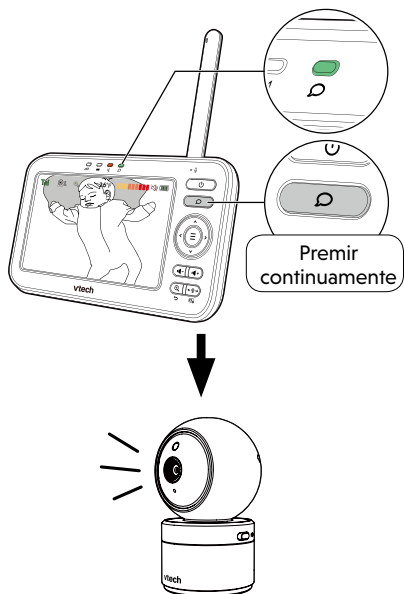
## Zoom

Prima para ampliar ou reduzir.



## Falar para a unidade de bebé

Prima continuamente e fale para a unidade para pais. A sua voz é transmitida para a unidade de bebé. Solte o botão quando acabar de falar e oiça novamente o seu bebé.



## Desligar o ecrã

Prima continuamente para desligar o ecrã. Ainda pode ouvir sons da unidade de bebé.



### ☀ DICA:

- Prima qualquer tecla na unidade para pais para voltar a ligar o ecrã.

## ÍCONES DA UNIDADE PARA PAIS

### Ícones do menu principal

| Menu principal | Submenu  |
|----------------|--|
|                | <ul style="list-style-type: none"><li>• Ajuste a luminosidade do ecrã LCD da unidade para pais.</li></ul>  |
|                | <ul style="list-style-type: none"><li><b>Volume do altifalante da unidade de bebé</b><ul style="list-style-type: none"><li>• Ajuste o volume do altifalante da unidade de bebé.</li></ul></li></ul>  |
|                | <b>Reproduzir/Parar música de embalar</b><br><b>≈1 ≈2 ≈3 ≈4</b> <ul style="list-style-type: none"><li>• Selecione um dos sons relaxantes ou ruído branco.</li></ul> <b>♫1 ♫2 ♫3 ♫4 ♫5</b> <ul style="list-style-type: none"><li>• Selecione uma das cinco melodias.</li></ul> <ul style="list-style-type: none"><li>• Reproduzir todas as melodias.</li></ul> <b>60min 45min 30min 15min</b> <ul style="list-style-type: none"><li>• Defina o temporizador para parar a reprodução da melodia ou do som relaxante selecionado.</li></ul>   |
|                | <b>ON / OFF</b> <b>Ligar/desligar a luz noturna</b><br><b>1 2 3 4 5 6 7</b> <ul style="list-style-type: none"><li>• Selecione uma das oito cores de luz noturna.</li></ul> <ul style="list-style-type: none"><li>• Selecione para que a luz noturna percorra automaticamente as 7 cores.</li></ul> <b>60min 30min 15min OFF</b> <ul style="list-style-type: none"><li>• Defina o temporizador para apagar a luz noturna.</li></ul> <b>AUTO</b> <ul style="list-style-type: none"><li>• Defina a luz de presença para se ligar automaticamente quando a unidade de bebé detetar um som. Irá desligar-se após 15 minutos sem deteção de som. Pode definir o <b>nível de sensibilidade VOX</b> para detetar sons que apenas excedam determinados níveis. Consulte <b>Sensibilidade sonora e ativação por som</b>.</li></ul> |



### ON / OFF

- Ligue/desligue a funcionalidade de luz noturna adaptativa. Quando esta função está ligada, a unidade de bebé deteta a luz ambiente. Se a divisão estiver iluminada, a luz noturna ajusta-se para ser mais luminosa; se a divisão estiver com pouca luz, a luz noturna ajusta-se para ser mais fraca.

### Definições de alerta



- Ligue/desligue o tom de alerta de bateria fraca.



- Ligue/desligue o tom de alerta de ligação perdida.



- Ligue/desligue o tom de alerta de confirmação.

### Projeção



### ON / OFF

Ligar/desligar a luz de projeção.



60min 45min 30min 15min

- Defina o temporizador para apagar a luz de projeção.



- Acende a luz de projeção automaticamente quando a unidade de bebé deteta um som. Irá desligar-se após 15 minutos sem deteção de som. Consulte a secção **Sensibilidade sonora e ativação por som** para saber mais.

### Temperatura



### ON/OFF

- Ligue/desligue o tom de alerta de temperatura.
- Defina a unidade para pais para emitir um sinal sonoro sempre que a temperatura ambiente detetada pela unidade de bebé sair do intervalo de temperaturas definido.



- Defina a temperatura mínima.



- Defina a temperatura máxima.



- Defina o formato da temperatura para Fahrenheit (°F) ou Celsius (°C)



## ÍCONES DA UNIDADE PARA PAIS (CONT.)

### Ativação por som - ecrã e áudio



### ON / OFF

Ligar/desligar a ativação por som

- Ativar ou desativar a ativação por som.
- Quando está ligado enquanto o ecrã da unidade para pais permanece desligado para poupar energia, assim que é detetado um som, o ecrã da unidade para pais e o altifalante ligam-se automaticamente. A unidade para pais irá, então, desligar-se após 50 segundos sem deteção de som.

### NOTA

- Quando o ecrã da unidade para pais está desligado e recebe alertas, por exemplo, sobre a perda de ligação entre a unidade para pais e a unidade de bebé ou o nível fraco da bateria, o ecrã da unidade para pais e o altifalante ligar-se-ão durante 10 segundos.

### Sensibilidade VOX (Alerta Ativado por Voz)



- É possível definir o nível de sensibilidade VOX para ativar o ecrã da unidade para pais quando a unidade de bebé deteta sons que excedem determinados níveis. Consulte **Sensibilidade sonora e ativação por som**.

### Ícones de estado



#### Estado de ligação

- Intensidade de sinal elevada.
- Intensidade de sinal moderada.
- Intensidade de sinal baixa.
- Intensidade de sinal fraca.



#### Estado da vista atual



#### Visão noturna - Ligada



#### Zoom - Ligado



#### Música de embalar - Ligada



#### Luz noturna - Ligada



#### Luz noturna - Ligar automaticamente

- O ícone de cor indica que a luz noturna está definida para ligar automaticamente e está atualmente ligada por ativação por som.
- O ícone cinzento indica que a luz noturna está atualmente desligada, mas está definida para ligar automaticamente. A luz noturna liga-se quando é detetado som pela unidade de bebé.

### Ícones de estado



#### Luz de projeção - Ligada



#### Luz de projeção - Ligar automaticamente

- O ícone de cor indica que a luz de projeção está definida para ligar automaticamente e está atualmente ligada por ativação por som.
- O ícone cinzento indica que a luz de projeção está atualmente desligada, mas está definida para ligar automaticamente. A luz de projeção liga-se quando é detetado som pela unidade de bebé.



#### Temperatura em tempo real

- Temperatura em tempo real detetada pela unidade de bebé em Fahrenheit (°F) ou Celsius (°C) (por exemplo 57°F ou 14°C).



#### Indicador de som de 9 níveis

- Indica o nível de som baixo detetado pela unidade de bebé.
- Indica nível de som moderado detetado pela unidade de bebé.
- Indica nível de som alto detetado pela unidade de bebé.



## Ícones de estado



**Tom de alerta de temperatura - Ligado**



### Silenciar alerta

- É exibido quando o volume do altifalante da unidade para pais é definido como desligado.
- É exibido quando a unidade para pais comunica com a unidade de bebé.



### Estado da bateria

- pisca quando a bateria está a carregar.
- indica que a bateria está totalmente carregada.
- indica que a bateria está fraca e precisa de ser carregada.



**Volume do altifalante** - apresenta o nível de volume do altifalante da unidade para pais durante o ajuste.

## Ícones de alerta



- É apresentado quando a bateria da unidade para pais está fraca e precisa de ser carregada.



- É apresentado quando se perde a ligação entre a unidade para pais e a unidade de bebé.



- A unidade de bebé deteta que a temperatura atinge ou ultrapassa o máximo definido.



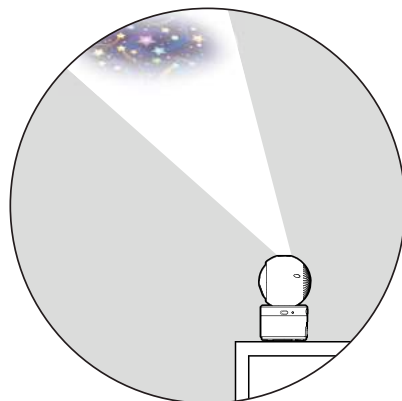
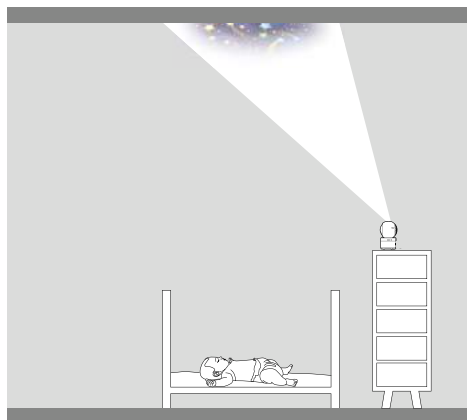
- A unidade de bebé deteta que a temperatura é igual ou inferior ao mínimo definido.

## LUZ DE PROJEÇÃO

### ☀ DICA

- A luz de projeção situada na parte superior da unidade de bebé projeta uma cena de luz noturna suave e estrelada no teto com um ângulo de inclinação. Ajuste a posição da unidade de bebé com a luz de projeção para ajudar o bebé a adormecer. Para um desempenho ótimo, coloque a unidade de bebé na posição vertical.

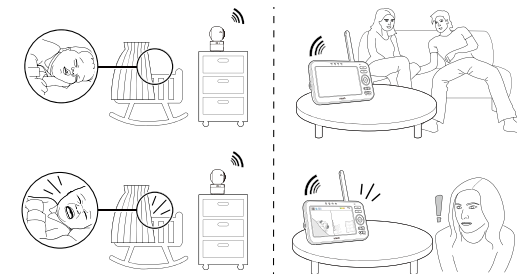
Posição ótima



## SENSIBILIDADE SONORA E ATIVAÇÃO POR SOM

### Ecrã e áudio ativados por som

O ecrã da unidade para pais desliga-se automaticamente para poupar energia quando a unidade de bebé não deteta qualquer som. Quando **Ativação por som** é ativada, assim que a unidade de bebé deteta sons que sejam mais altos que o nível de sensibilidade de som selecionado, o ecrã da unidade para pais e o altifalante ligam-se automaticamente. A unidade para pais irá, então, desligar-se após 50 segundos sem deteção de som.



### 📖 NOTA

- Caso tenha silenciado o altifalante da unidade para pais, apenas o ecrã da unidade para pais se irá ligar quando seja detetado som.

### Ajustar a sensibilidade de deteção de som

Quando ativa a **Ativação por som**, pode ajustar a **Sensibilidade VOX** da unidade de bebé para detetar sons e ligar a unidade dos pais quando o seu ecrã está desligado ou escurecido.

Quando a unidade de bebé deteta sons que excedem determinados níveis, o ecrã da unidade para pais liga-se automaticamente e a unidade de bebé transmite os sons detetados para a unidade para pais. Poderá então ver e ouvir o seu bebé.

Se tiver ativado a funcionalidade **Ligar automaticamente a luz noturna**, esta ligar-se-á automaticamente para acalmar o seu bebé.

Se desligar a **Ativação por som**, ouvirá sempre os sons da unidade de bebé, mesmo quando o ecrã da unidade para pais estiver desligado.

| NÍVEL DE SENSIBILIDADE DE VOX | Nível 5 (Máximo)  | Nível 4 (Alto)  | Nível 3 (Médio)   | Nível 2 (Baixo)  | Nível 1 (Mínimo)   |
|-------------------------------|---|---|---|--|--|
| DESCRIÇÃO                     | (Predefinição)<br>O ecrã e o altifalante da unidade para pais ligam-se para sons muito silenciosos, incluindo os ruídos de fundo do quarto do bebé. | O ecrã e o altifalante da unidade para pais ligam-se ao detetar balbuciar baixo e sons mais altos do seu bebé. A unidade para pais não emite som quando o seu bebé dorme profundamente. | O ecrã e o altifalante da unidade para pais ligam-se apenas ao detetar balbuciar alto e sons mais altos do seu bebé. A unidade para pais não emite som quando o seu bebé faz sons baixos. | O ecrã e o altifalante da unidade para pais ligam-se apenas ao detetar choro e sons mais altos do seu bebé. A unidade para pais não emite som quando o seu bebé faz sons baixos. | O ecrã e o altifalante da unidade para pais ligam-se apenas ao detetar choro ou sons estridentes do seu bebé. A unidade para pais não emite som quando o seu bebé faz sons baixos. |

## VISÃO NOTURNA



A unidade de bebé possui LEDs infravermelhos que lhe permitem ver o bebé claramente à noite ou num quarto escuro. Quando a unidade de bebé deteta níveis de luz baixos, os LEDs infravermelhos ligam-se automaticamente. As imagens da unidade de bebé será então a preto e branco e 🌙 é apresentado no ecrã.

### NOTAS

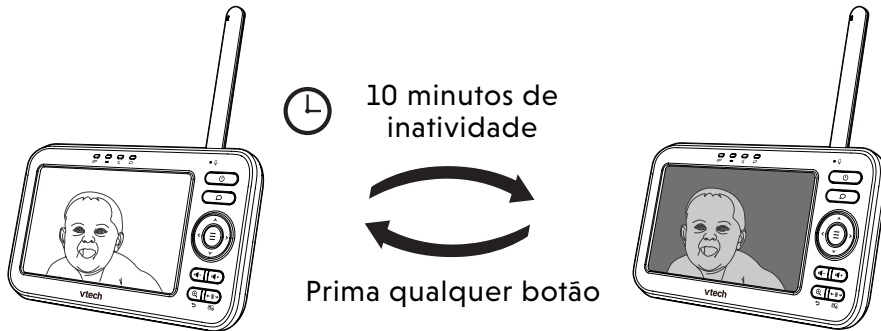
- É normal ver um curto clarão branco no ecrã da sua unidade para pais quando a unidade de bebé se adapta ao ambiente escuro.
- Quando os LEDs infravermelhos estão ligados, é normal que as imagens sejam a preto e branco.

### DICA

- Dependendo do ambiente e de outros fatores interferentes como, por exemplo, a iluminação, objetos, cores e fundos, a resolução do ecrã pode variar. Ajuste o ângulo da unidade de bebé ou coloque a unidade de bebé numa localização mais alta para evitar brilhos e um ecrã desfocado.

## MODO DE ESCURECIMENTO

O modo de escurecimento ajuda-o a poupar a energia da unidade para pais. O ecrã da unidade para pais escurece automaticamente após 10 minutos de inatividade, quando nenhum botão for premido nem forem recebidos alertas da unidade de bebé.

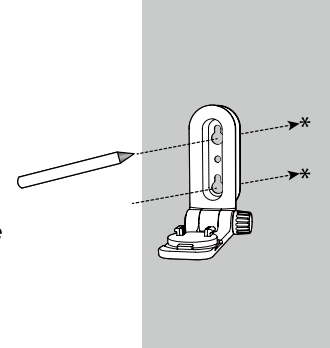


## MONTAR A UNIDADE DE BEBÉ (OPCIONAL)

### NOTAS

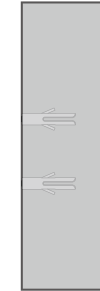
- Verifique a potência de receção e o ângulo da câmara da unidade de bebé antes de fazer os orifícios.
- Os tipos de parafusos e buchas que necessita dependem da composição da parede. Pode necessitar de adquirir os parafusos e buchas separadamente para montar as suas unidades de bebé.

1. Coloque o suporte de montagem na parede e utilize um lápis para marcar dois orifícios em paralelo. Remova o suporte de montagem de parede e perfure dois orifícios na parede (broca de 5,5 mm).

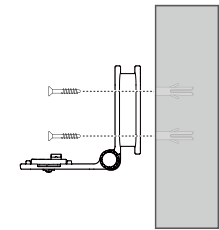


2. Se fizer os orifícios numa viga, avance para o passo 3.

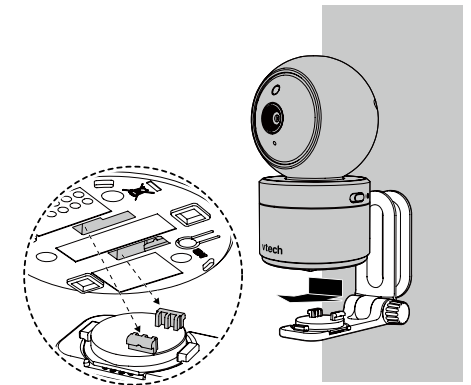
- Caso perfure os orifícios num objeto que não seja uma viga, insira as buchas nos orifícios. Bata suavemente nas extremidades com um martelo até que as buchas estejam rentes com a parede.



3. Alinhe o suporte de montagem na parede e os parafusos com os orifícios na parede, conforme mostrado. Aperte primeiro o parafuso no orifício do meio, de modo a que a posição do suporte de montagem na parede fique fixa. Pode apertar o outro parafuso no orifício superior.

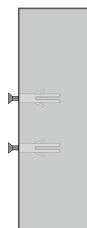


4. Coloque a unidade de bebé no suporte de montagem na parede e, em seguida, deslize-a para a frente até que encaixe no lugar. Ligue o adaptador de corrente à unidade de bebé e a uma fonte de alimentação.

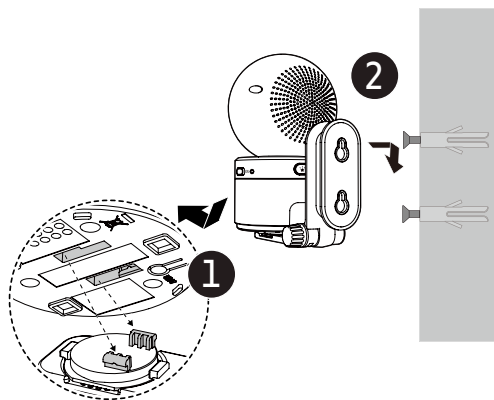


OU

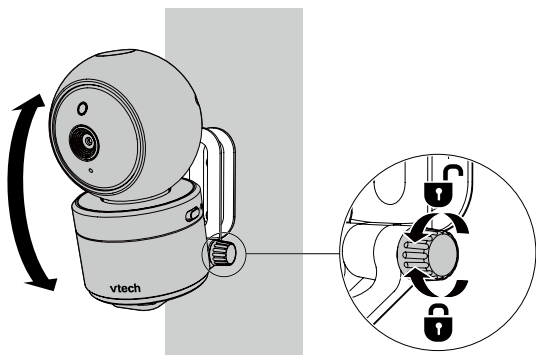
3. Insira os parafusos nos orifícios e aperte os parafusos até que apenas 6,5 mm dos parafusos estejam expostos.



4. Coloque a unidade de bebê no suporte de montagem na parede e, em seguida, deslize-a para a frente até que encaixe no lugar. Alinhe os orifícios no suporte de montagem na parede com os parafusos na parede e deslize o suporte de montagem na parede para baixo até que fique encaixado.



5. Pode maximizar os ângulos de visualização da sua unidade de bebê ao inclinar o suporte de montagem na parede. Segure a unidade de bebê e, em seguida, rode o botão para a esquerda. Isto irá soltar a junta do suporte de montagem na parede. Incline a sua unidade de bebê para cima ou para baixo para a ajustar no ângulo que preferir. Em seguida, rode o botão para a direita para apertar a junta e fixar o ângulo.



## CUIDADOS GERAIS COM O PRODUTO

Para manter este produto a funcionar bem e com bom aspeto, siga estas orientações:

- Evite colocá-lo perto de aparelhos e dispositivos que geram ruído elétrico (por exemplo, motores ou lâmpadas fluorescentes).
- NÃO exponha à luz solar direta ou humidade.
- Evite deixar cair o produto ou tratá-lo de forma grosseira.
- Limpe-o com um pano macio e húmido.
- NÃO mergulhe a unidade para pais e a unidade de bebé em água e não lave as mesmas sob água corrente.
- NÃO utilize produtos de limpeza líquidos ou em aerossol.
- Certifique-se de que a unidade para pais e a unidade de bebé estão secas antes de as ligar novamente à corrente elétrica.

## ARMAZENAMENTO

Quando não for utilizar o monitor de bebé durante algum tempo, guarde a unidade para pais, a unidade de bebé e os adaptadores num local fresco e seco.

## SUPERVISÃO POR UM ADULTO

- Este monitor para bebé deve ser usado como um apoio e a supervisão por adultos é necessária.
- Não coloque a unidade de bebé dentro do berço ou parque para bebés.
- Para garantir a segurança da criança, não é permitido que esta toque ou brinque com o monitor para bebés e todos os acessórios. ISTO NÃO É UM BRINQUEDO.

## ESPECIFICAÇÕES TÉCNICAS

|                           |  |
|---------------------------|--|
| Controlo da frequência    | Sintetizador PLL controlado por cristal  |
| Frequência de transmissão | Unidade de bebé: 2405-2475 MHz<br>Unidade para pais: 2405-2475 MHz<br>Potência máxima utilizada pelo transmissor: 0,1 W (100 mW)   |
| Canais                    | 32   |
| LCD                       | LCD a cores de 5" (QVGA 480x272 pixels)  |
| Intervalo efetivo nominal | O intervalo de funcionamento real pode variar de acordo com as condições ambientais no momento da utilização.  |
| Requisitos de potência    | Unidade para pais: Bateria de iões de lítio; 3,8 V<br>Adaptador de corrente para unidade de bebé:<br>Saída: 5 V CC a 1 A<br>Adaptador de corrente para unidade para pais:<br>Saída: 5 V CC a 1 A |

# APOIO AO CLIENTE E GARANTIA



## APOIO AO CLIENTE E GARANTIA

### IMPORTANT

Guarde o recibo como prova de compra.

### Apoio ao cliente

É o proprietário de um produto de qualidade da VTech®, fabricado com cuidado e ao abrigo de rigorosos controlos de qualidade.

A garantia não cobre o seguinte:

- Danos no produto devido a utilização indevida.
- Reparações ou modificações não autorizadas do produto.
- Danos causados pelo não cumprimento das instruções de funcionamento.
- Baterias defeituosas ou danos causados por fugas nas baterias.
- Danos causados por embalagens defeituosas ou ineficazes utilizadas em trânsito ou danos causados durante o transporte.
- Danos no ecrã LCD.

Se tiver alguma dúvida, contacte o nosso Apoio ao Cliente:

[www.vtechphones.eu](http://www.vtechphones.eu)

Importador: Snom Technology GmbH

Aroser Allee 66, 13407 Berlim

Fabricante: VTech Telecommunications Ltd.

23/F., Tai Ping Industrial Centre, Block 1, 57 Ting Kok Road, Tai Po, Hong Kong.

# ELIMINAÇÃO DAS BATERIAS E DO PRODUTO



Os símbolos de caixote do lixo cruzado em produtos e baterias, ou na respetiva embalagem, indica que estes não devem ser eliminados junto com os resíduos domésticos já que contêm substâncias que podem prejudiciais para o ambiente e para a saúde humana.



Os símbolos químicos Hg, Cd ou Pb, quando assinalados, indicam que a bateria contém mais do que o valor específico de mercúrio (Hg), cádmio (Cd) ou chumbo (Pb) definido na Diretiva Baterias (2006/66/CE).



A barra sólida indica que o produto foi colocado no mercado após 13 de agosto de 2005.

Ajude a proteger o ambiente eliminando o seu produto ou baterias de forma responsável.

# DECLARAÇÃO DE CONFORMIDADE CE

Este produto está previsto para ser utilizado na Europa.

Este equipamento está em conformidade com os requisitos essenciais da Diretiva de Equipamento de Rádio e Equipamento Terminal de Telecomunicações 2014/53/UE.

A VTech Telecommunications Ltd. declara pela presente que este Monitor de Vídeo para Bebê VM5463 está em conformidade com os requisitos essenciais e outras disposições relevantes da Diretiva 2014/53/UE.

A Declaração de Conformidade para o VM5463 está disponível em

[www.vtech.com/rtte-directive](http://www.vtech.com/rtte-directive).



### Créditos:

O ficheiro de som Ruído de Fundo foi criado por Caroline Ford e é utilizado sob a licença Creative Commons.

O ficheiro de som Ruído de Ribeiro foi criado por Caroline Ford e é utilizado sob licença da Creative Commons.

O ficheiro de som Grilos à Noite foi criado por Mike Koenig e é utilizado sob licença da Creative Commons.

O ficheiro de som Batimento Cardíaco foi criado por Zarabadeu e é utilizado sob licença da Creative Commons.



As especificações estão sujeitas a modificações sem prévio aviso.  
© 2023 VTech Telecommunications Ltd.  
Todos os direitos reservados. 06/23. VM5463\_SNOM\_PT\_QSG\_V1

